



# T&S BRASS AND BRONZE WORKS, INC.

2 Saddleback Cove / P.O. Box 1088  
Travelers Rest, SC 29690

Model No.

**BL-4720-02MF**

Item No.

Travelers Rest, SC: 800-476-4103 • Simi Valley, CA: 800-423-0150 • Fax: 864-834-3518 • www.tsbrass.com



**ADA Compliant**

This Space for Architect/Engineer Approval

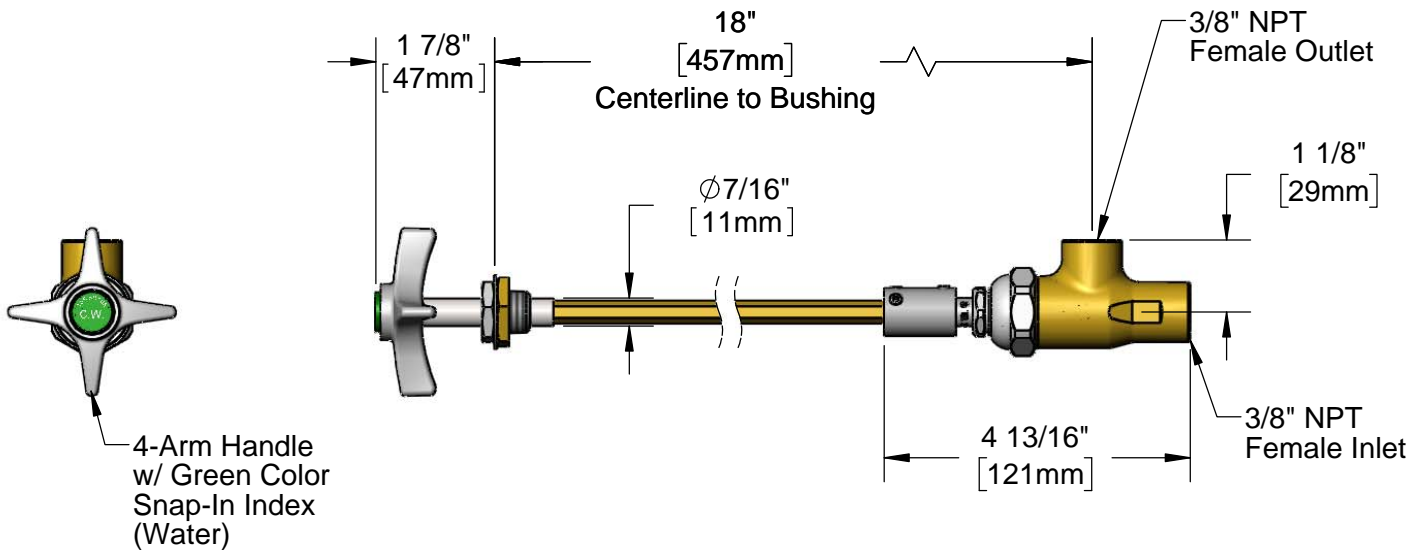
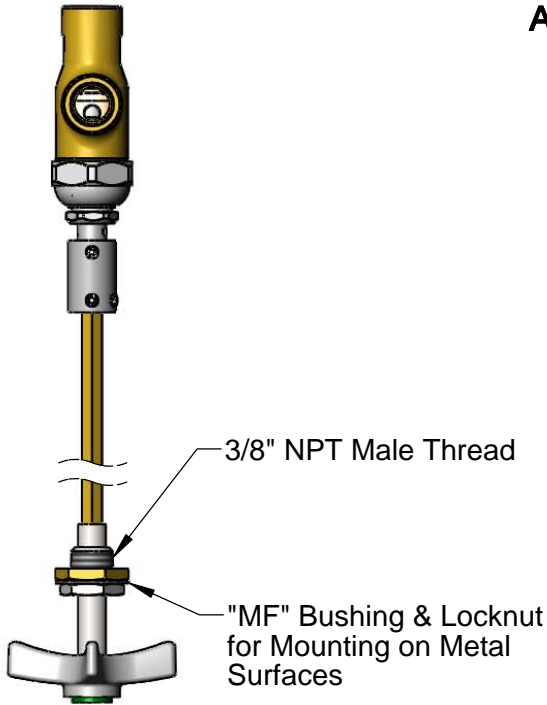
Job Name \_\_\_\_\_ Date \_\_\_\_\_

Model Specified \_\_\_\_\_ Quantity \_\_\_\_\_

Customer/Wholesaler \_\_\_\_\_

Contractor \_\_\_\_\_

Architect/Engineer \_\_\_\_\_



**Product Specifications:**

Remote Control Valve for Water w/ 18" Centerline to Bushing, 4-Arm Handle, "MF" Bushing for Mounting on Metal Surfaces & 3/8" NPT Inlet & Outlet

**Product Compliance:**

ASME A112.18.1 / CSA B125.1  
NSF 61 - Section 9  
NSF 372 (Low Lead Content)  
ANSI A117.1 (ADA)



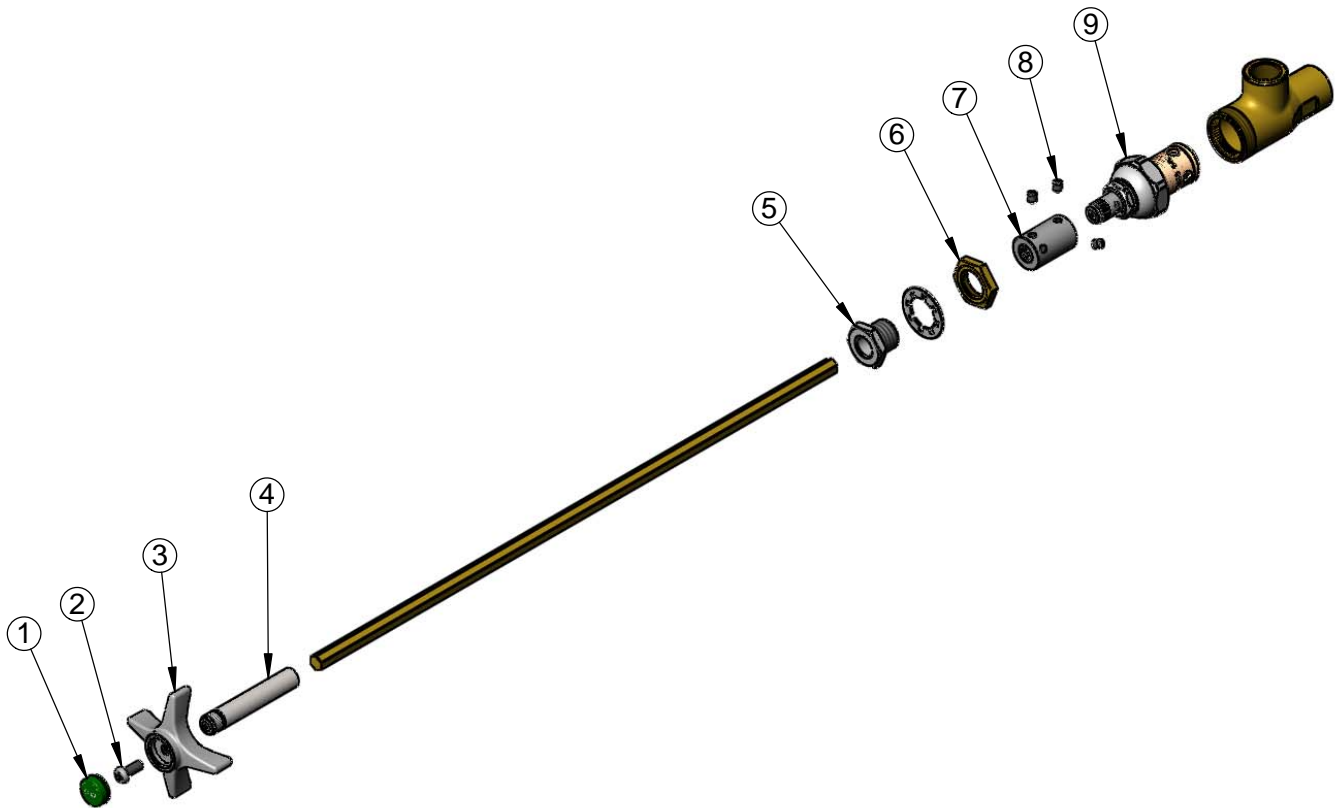
**T&S BRASS AND BRONZE WORKS, INC.**  
 2 Saddleback Cove / P.O. Box 1088  
 Travelers Rest, SC 29690

Model No.  
**BL-4720-02MF**

Item No.

Travelers Rest, SC: 800-476-4103 • Simi Valley, CA: 800-423-0150 • Fax: 864-834-3518 • www.tsbrass.com

ITEM NO.	SALES NO.	DESCRIPTION
1	001191-45	Green Index - CW
2	000925-45	Lab Handle Screw
3	000059-40	4-Arm Lab Handle
4	000784-40	Broached Sleeve
5	006676-25	Bushing
6	000969-45	Locknut, 3/8" NPSL Brass
7	000642-20	Coupling Remote
8	001584-45	Set Screw, 10-32 UN
9	005960-40	Eterna Cartridge, RTC



Product Specifications:  
 Remote Control Valve for Water w/ 18" Centerline to Bushing, 4-Arm Handle, "MF" Bushing for Mounting on Metal Surfaces & 3/8" NPT Inlet & Outlet

Product Compliance:  
 ASME A112.18.1 / CSA B125.1  
 NSF 61 - Section 9  
 NSF 372 (Low Lead Content)  
 ANSI A117.1 (ADA)