



# T&S BRASS AND BRONZE WORKS, INC.

2 Saddleback Cove / P.O. Box 1088  
Travelers Rest, SC 29690

Model No.

**BL-4705-03**

Item No.

Travelers Rest, SC: 800-476-4103 • Simi Valley, CA: 800-423-0150 • Fax: 864-834-3518 • www.tsbrass.com

This Space for Architect/Engineer Approval

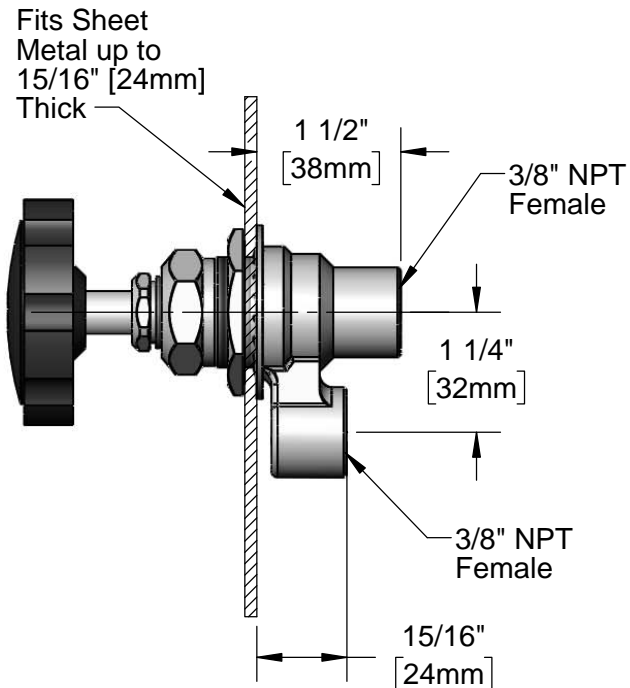
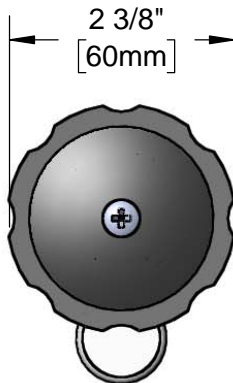
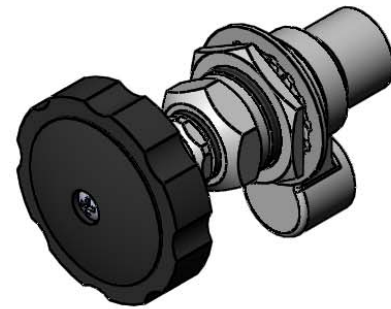
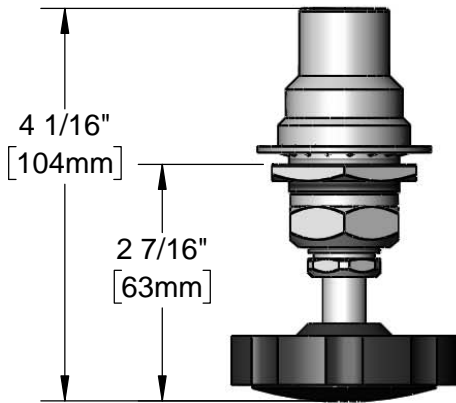
Job Name \_\_\_\_\_ Date \_\_\_\_\_

Model Specified \_\_\_\_\_ Quantity \_\_\_\_\_

Customer/Wholesaler \_\_\_\_\_

Contractor \_\_\_\_\_

Architect/Engineer \_\_\_\_\_



**Notes:**

1. Natural Gas Pressure: 125 PSIG Max.
2. Temperature Range: 32°F - 125°F

**Product Specifications:**

Fume Hood Steam Valve with Chrome Plated Brass Body, Heat Resistant Black Handle and 3/8" NPT Female Inlet and Outlet

**Product Compliance:**

ANSI Z21.15a / CSA 9.1a (Gas Valves)



# T&S BRASS AND BRONZE WORKS, INC.

2 Saddleback Cove / P.O. Box 1088  
Travelers Rest, SC 29690

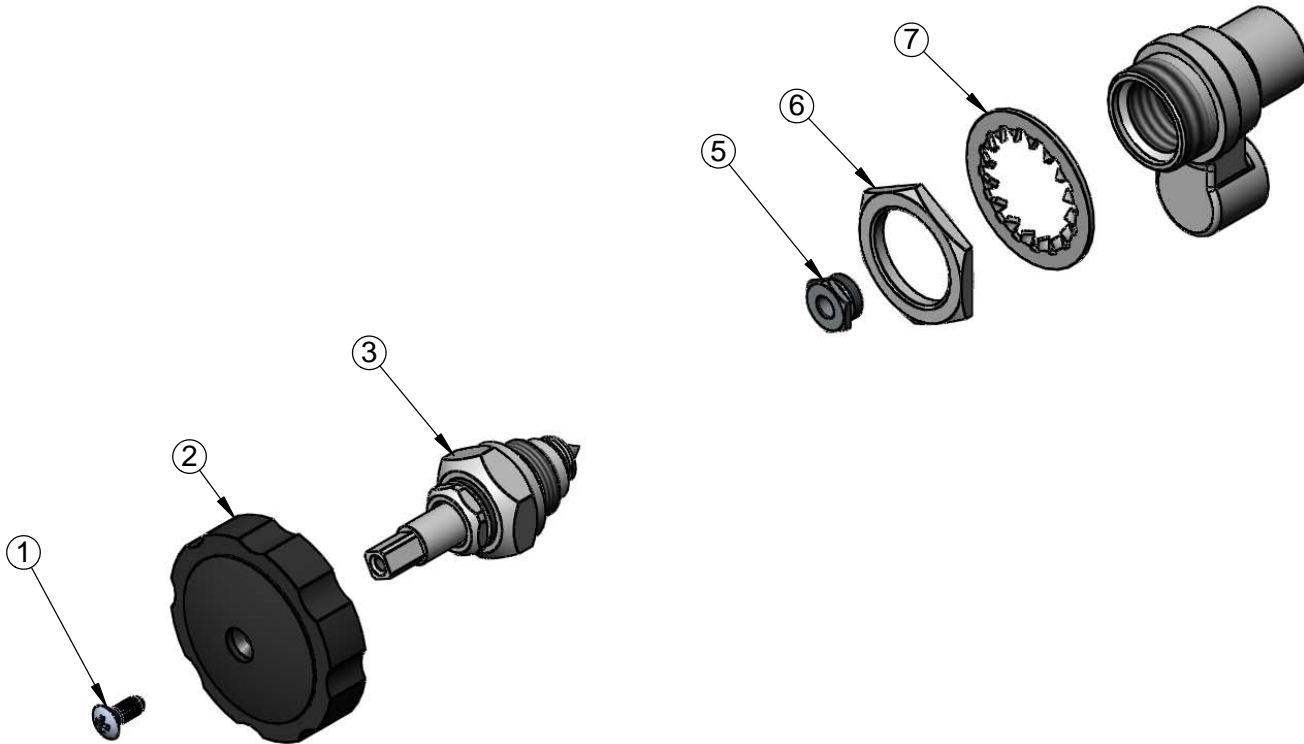
Model No.

**BL-4705-03**

Item No.

Travelers Rest, SC: 800-476-4103 • Simi Valley, CA: 800-423-0150 • Fax: 864-834-3518 • www.tsbrass.com

ITEM NO.	SALES NO.	DESCRIPTION
1	000922-45	Lever Handle Screw
2	001149-20	Handle, Heat Resistant, Black
3	005985-40	Spindle Assembly, Brass
5	000529-20	Seat, BL-4500-01
6	000959-40	Locknut, Body Top
7	001003-45	Lock Washer, Int. Tooth, 1 5/32" ID



### Product Specifications:

Fume Hood Steam Valve with Chrome Plated Brass Body, Heat Resistant Black Handle and 3/8" NPT Female Inlet and Outlet

### Product Compliance:

ANSI Z21.15a / CSA 9.1a (Gas Valves)