



# T&S BRASS AND BRONZE WORKS, INC.

2 Saddleback Cove / P.O. Box 1088  
Travelers Rest, SC 29690

Model No.

**BL-4520-01**

Item No.

Travelers Rest, SC: 800-476-4103 • Simi Valley, CA: 800-423-0150 • Fax: 864-834-3518 • www.tsbrass.com

This Space for Architect/Engineer Approval

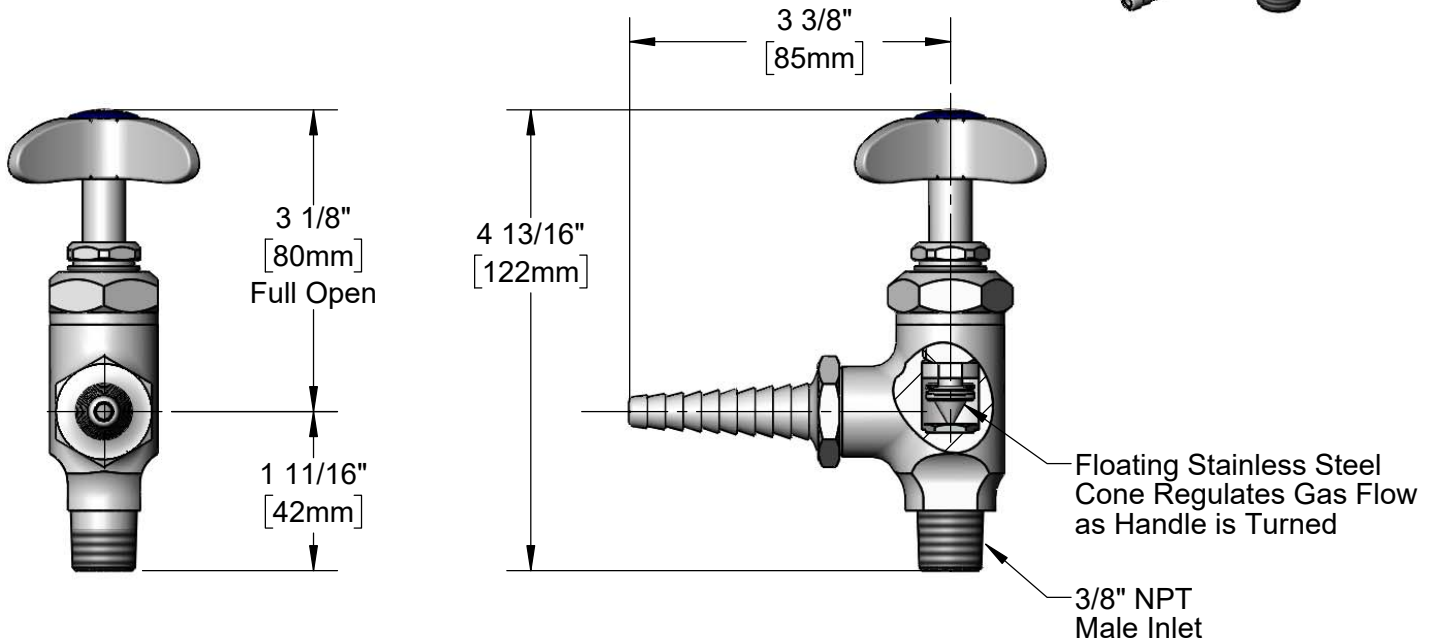
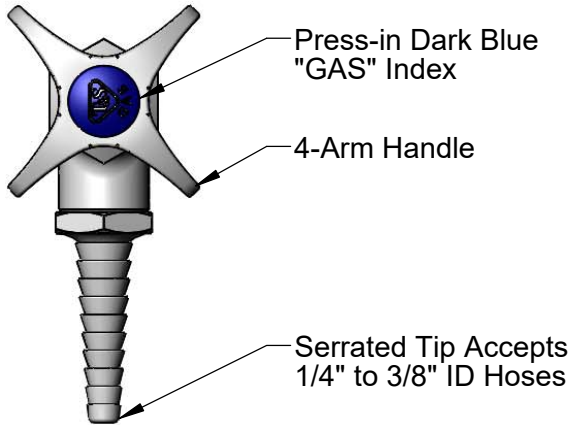
Job Name \_\_\_\_\_ Date \_\_\_\_\_

Model Specified \_\_\_\_\_ Quantity \_\_\_\_\_

Customer/Wholesaler \_\_\_\_\_

Contractor \_\_\_\_\_

Architect/Engineer \_\_\_\_\_



**Notes:**

1. Natural Gas Pressure: 0.5 PSIG Max.
2. Air Pressure: 125 PSIG Max.
3. Vacuum: 30 Inches of Mercury Max.
4. Temperature Range: 32°F - 125°F



209L-VAC-NS  
Index  
Included



209L-AIR-NS  
Index  
Included

Product Specifications:  
Angle Stop w/ 3/8" NPT Male Inlet, Serrated Tip Outlet & Color Coded Indexes

Product Compliance:  
ANSI Z21.15a / CSA 9.1a (Gas Valves)

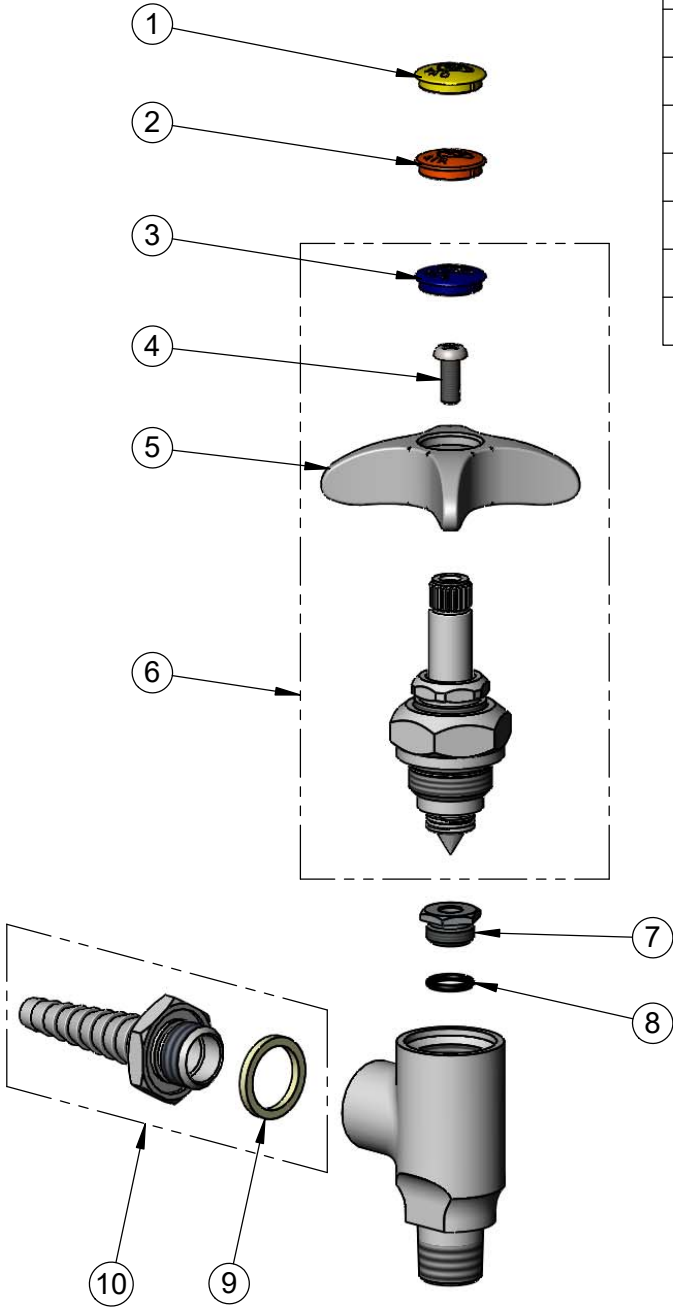


**T&S BRASS AND BRONZE WORKS, INC.**  
 2 Saddleback Cove / P.O. Box 1088  
 Travelers Rest, SC 29690

Model No.  
**BL-4520-01**  
 Item No.

Travelers Rest, SC: 800-476-4103 • Simi Valley, CA: 800-423-0150 • Fax: 864-834-3518 • www.tsbrass.com

ITEM NO.	SALES NO.	DESCRIPTION
1	209L-VAC-NS	Yellow "VAC" Lab Button Index
2	209L-AIR-NS	Orange "AIR" Lab Button Index
3	209L-GAS-NS	Dark Blue "GAS" Lab Button Index
4	000925-45	Lab Handle Screw
5	002521-45NS	4-Arm Handle (New Style)
6	110A	Spindle Assembly, BL-4500-01
7	000529-20	Seat, BL-4500-01
8	001070-45	O-ring, Nitrile, -012
9	001051-45	Washer
10	B-0198	Serrated Tip



Product Specifications:  
 Angle Stop w/ 3/8" NPT Male Inlet, Serrated Tip Outlet & Color Coded Indexes

Product Compliance:  
 ANSI Z21.15a / CSA 9.1a (Gas Valves)