



T&S BRASS AND BRONZE WORKS, INC.
 2 Saddleback Cove / P.O. Box 1088
 Travelers Rest, SC 29690

Model No.

BL-4501-01

Item No.

Travelers Rest, SC: 800-476-4103 • Simi Valley, CA: 800-423-0150 • Fax: 864-834-3518 • www.tsbrass.com

This Space for Architect/Engineer Approval

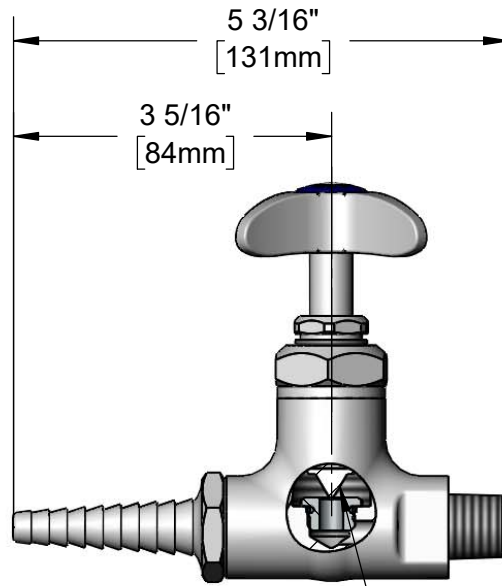
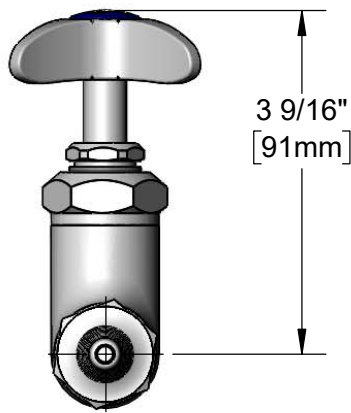
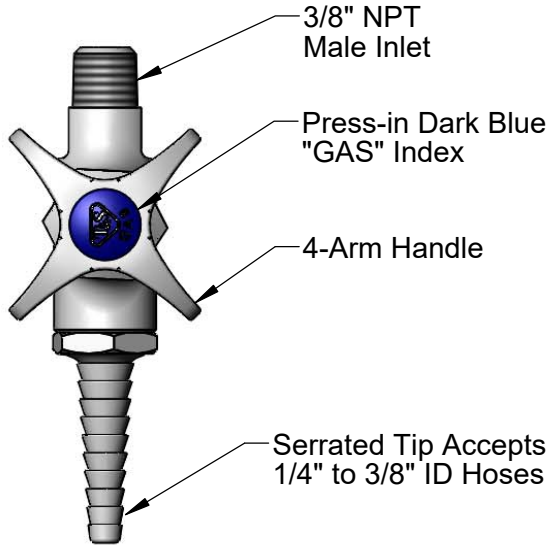
Job Name _____ Date _____

Model Specified _____ Quantity _____

Customer/Wholesaler _____

Contractor _____

Architect/Engineer _____



Notes:

1. Natural Gas Pressure: 0.5 PSIG Max.
2. Temperature Range: 32 °F - 125 °F

Floating Stainless Steel Cone Regulates Gas Flow as Handle is Turned

Product Specifications:

Straight Stop w/ Color Coded Index, 3/8" NPT Male Inlet, & Serrated Tip Outlet, Designed for Special Gases

Product Compliance:

ANSI Z21.15a / CSA 9.1a (Gas Valves)

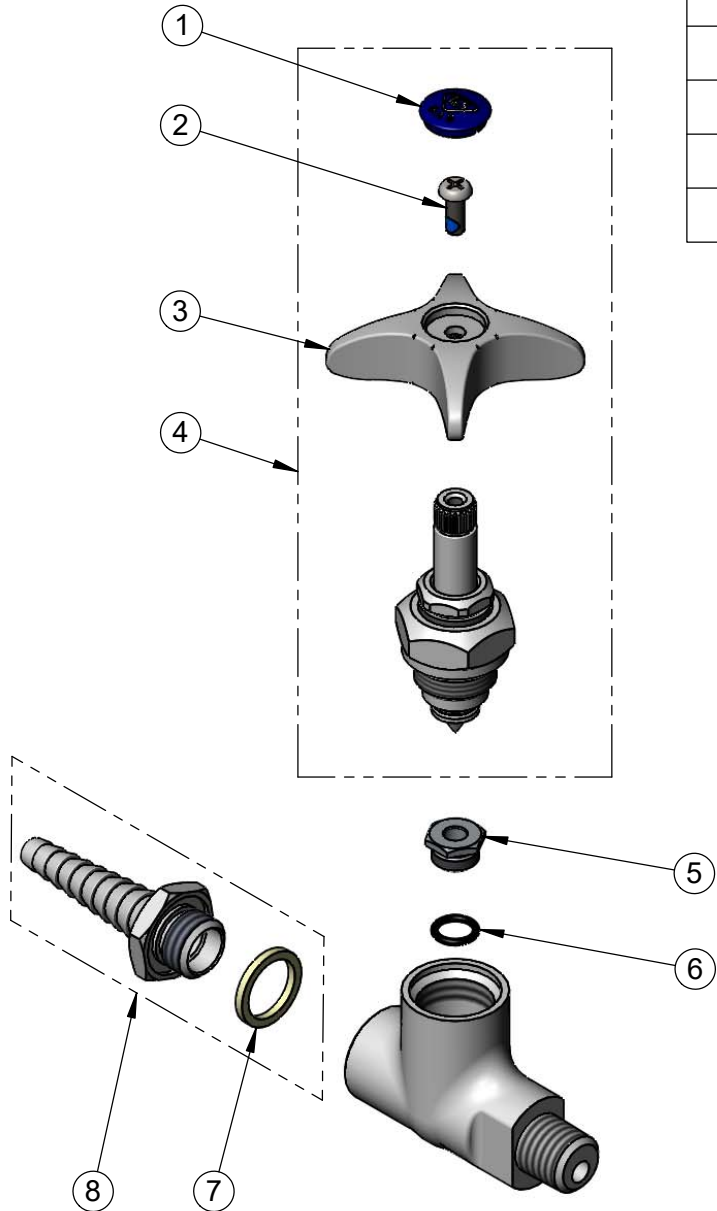


T&S BRASS AND BRONZE WORKS, INC.
 2 Saddleback Cove / P.O. Box 1088
 Travelers Rest, SC 29690

Model No.
BL-4501-01
 Item No.

Travelers Rest, SC: 800-476-4103 • Simi Valley, CA: 800-423-0150 • Fax: 864-834-3518 • www.tsbrass.com

ITEM NO.	SALES NO.	DESCRIPTION
1	209L-GAS-NS	Dark Blue "GAS" Lab Button Index
2	000925-45	Lab Handle Screw
3	002521-45NS	4-Arm Handle (New Style)
4	110A-NG	Spindle Assembly, BL-4501-01
5	000529-20	Seat, BL-4500-01
6	006574-45	O-ring, EPDM, -012
7	001051-45	Washer
8	B-0198	Serrated Tip



Product Specifications:
 Straight Stop w/ Color Coded Index, 3/8" NPT Male Inlet, & Serrated Tip
 Outlet, Designed for Special Gases

Product Compliance:
 ANSI Z21.15a / CSA 9.1a (Gas Valves)