



T&S BRASS AND BRONZE WORKS, INC.

2 Saddleback Cove / P.O. Box 1088
Travelers Rest, SC 29690

Model No.

BA-2710-VF05

Item No.

Travelers Rest, SC: 800-476-4103 • Simi Valley, CA: 800-423-0150 • Fax: 864-834-3518 • www.tsbrass.com

This Space for Architect/Engineer Approval

Job Name _____ Date _____

Model Specified _____ Quantity _____

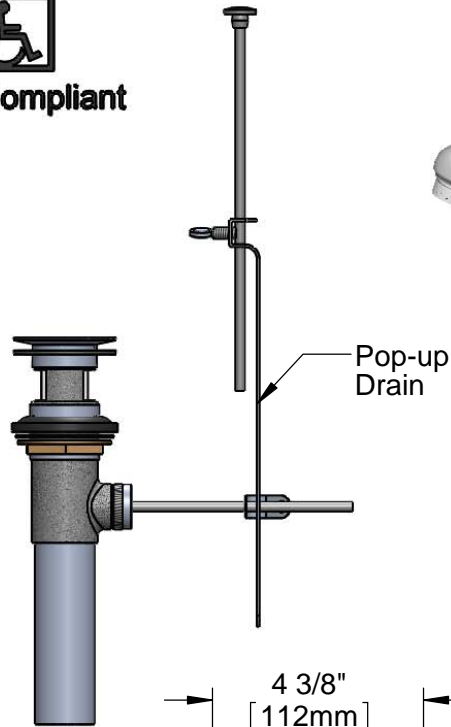
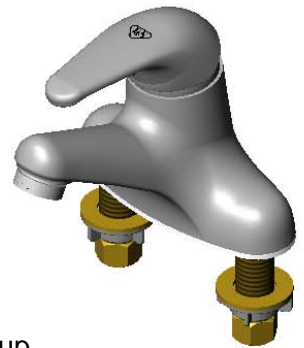
Customer/Wholesaler _____

Contractor _____

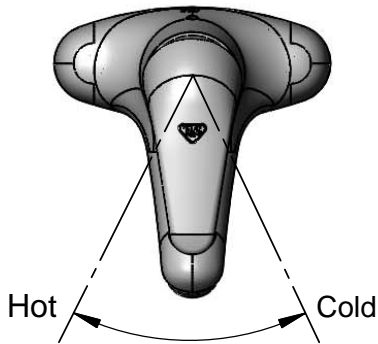
Architect/Engineer _____



ADA Compliant



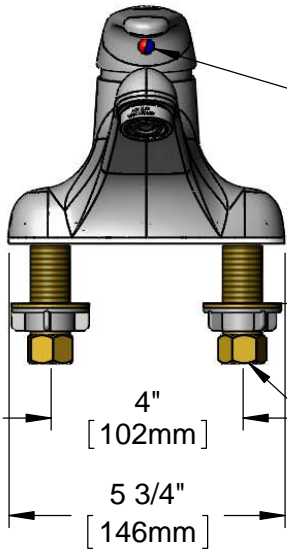
Pop-up
Drain



Hot Cold

B-0199-09-N05
0.5 GPM Vandal Resistant
Non-Aerated Spray Device

Removeable Index
for Access to Handle
Fastening Screw



1 3/8"
[35mm]
Maximum
Thickness

1/2" NPSM Male
Inlets w/ Coupling
Nuts

4"
[102mm]

5 3/4"
[146mm]

2 1/4"
[57mm]

4 3/8"
[112mm]

6 1/2"
[165mm]
Full "ON"

4 13/16"
[122mm]
"OFF"

2 5/16"
[59mm]

Rough-In Requirement:
(2) ϕ 1" [25mm] Mounting Holes

Product Specifications:

4" Centerset Single Lever Faucet, Temperature Limit Stop, Ceramic Cartridge,
0.5 GPM Vandal Resistant Non-Aerated Spray Device, Pop-up Drain &
1/2" NPSM Male Inlets

Product Compliance:

ASME A112.18.1 / CSA B125.1
NSF 61 - Section 9
NSF 372 (Low Lead Content)
ANSI A117.1 (ADA)



T&S BRASS AND BRONZE WORKS, INC.

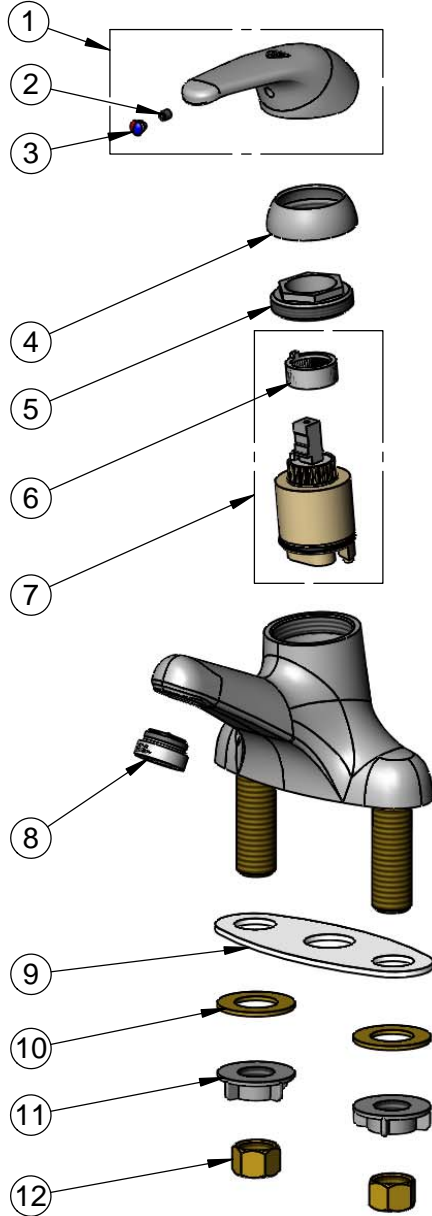
2 Saddleback Cove / P.O. Box 1088
Travelers Rest, SC 29690

Model No.

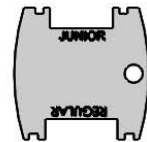
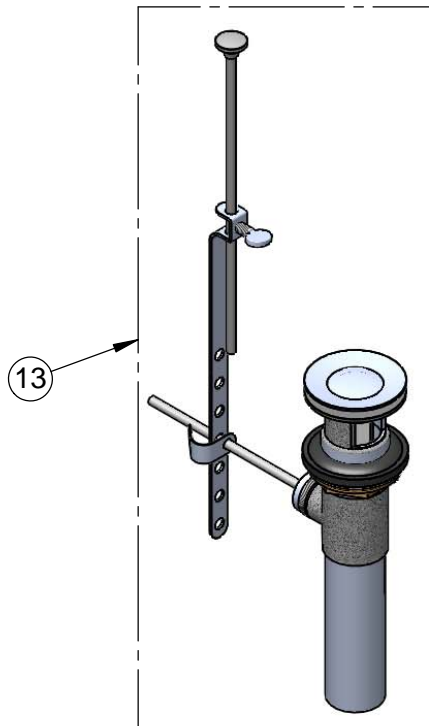
BA-2710-VF05

Item No.

Travelers Rest, SC: 800-476-4103 • Simi Valley, CA: 800-423-0150 • Fax: 864-834-3518 • www.tsbrass.com



ITEM NO.	SALES NO.	DESCRIPTION
1	013113-45	Handle, Single lever
2	016675-45	Set Screw
3	014173-45	Index, Temperature
4	016661-45	Trim Ring
5	016663-45	Locking Nut
6	015400-45	Temperature Limit Stop
7	013111-45	Single Lever Cartridge Assembly
8	B-0199-09-N05	VR 0.5 GPM Non-Aerated Spray Device, 15/16-27 UN Male w/ Key
9	014167-45	Deck Gasket
10	000999-45	Brass Lock Washer
11	016673-45	Shank Nut
12	000958-20	Coupling Nut
13	B-0898	Pop-Up Assembly



015425-45
Vandal Resistant Key
(Included w/ Spray Device)

Product Specifications:

4" Centerset Single Lever Faucet, Temperature Limit Stop, Ceramic Cartridge, 0.5 GPM Vandal Resistant Non-Aerated Spray Device, Pop-up Drain & 1/2" NPSM Male Inlets

Product Compliance:

ASME A112.18.1 / CSA B125.1
NSF 61 - Section 9
NSF 372 (Low Lead Content)
ANSI A117.1 (ADA)