



T&S BRASS AND BRONZE WORKS, INC.
 2 Saddleback Cove / P.O. Box 1088
 Travelers Rest, SC 29690

Model No.

B-7212-U01XS3

Item No.

Travelers Rest, SC: 800-476-4103 • Simi Valley, CA: 800-423-0150 • Fax: 864-834-3518 • www.tsbrass.com

This Space for Architect/Engineer Approval

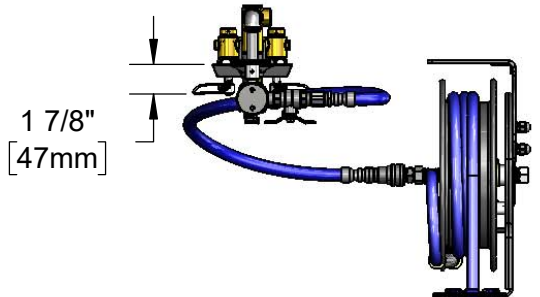
Job Name _____ Date _____

Model Specified _____ Quantity _____

Customer/Wholesaler _____

Contractor _____

Architect/Engineer _____



B-0963
 Continuous Pressure
 Vacuum Breaker
 w/ Integral Check
 Valve

3/8" NPT x 36"
 Flexible Water
 Connector

B-0109-07
 Wall Bracket

3/8" NPT x 22" Risers

Control Valve
 w/ \varnothing 2 5/8"
 [67mm] Flange

3/8" NPT x 12" Riser

Stainless Steel
 Quick Disconnect

Open Coated
 Hose Reel
 w/ 15' of 3/8"
 Hose

019652-40
 3/8" NPT
 Live Swivel

\varnothing 2 3/8"
 [60mm]
 Flange

5 1/2"
 [139mm]

2 3/8"
 [60mm]

\varnothing 1/2"
 [13mm]
 Typ

6 7/16"
 [164mm]

5 1/4"
 [133mm]

1/2"
 [13mm]
 3/4"
 [19mm]
 Typ

7 7/16"
 [188mm]

3" Concealed Mixing Faucet w/
 Lever Handles & Color Coded Indexes

EB-0107
 High Flow
 Spray Valve
 (Blue)

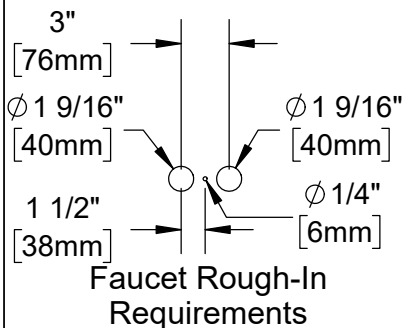
Mounting
 Surface

26 11/16"
 [679mm]

23 3/4"
 [602mm]

13 1/2"
 [343mm]

1/2 NPT
 Female
 Check
 Valves



Product Specifications:

Open Coated Hose Reel w/ 15' of 3/8" Hose, High Flow
 Spray Valve (Blue) w/ Swivel, Vacuum Breaker, 3/8" NPT Flexible
 Water Connector, 3" Concealed Mixing Faucet & Control Valve

Product Compliance:

NSF 61 Exempt (Non-Potable)
 EPA Act 2005 Non-Compliant (PRSV)
 ASSE 1056 (VB)



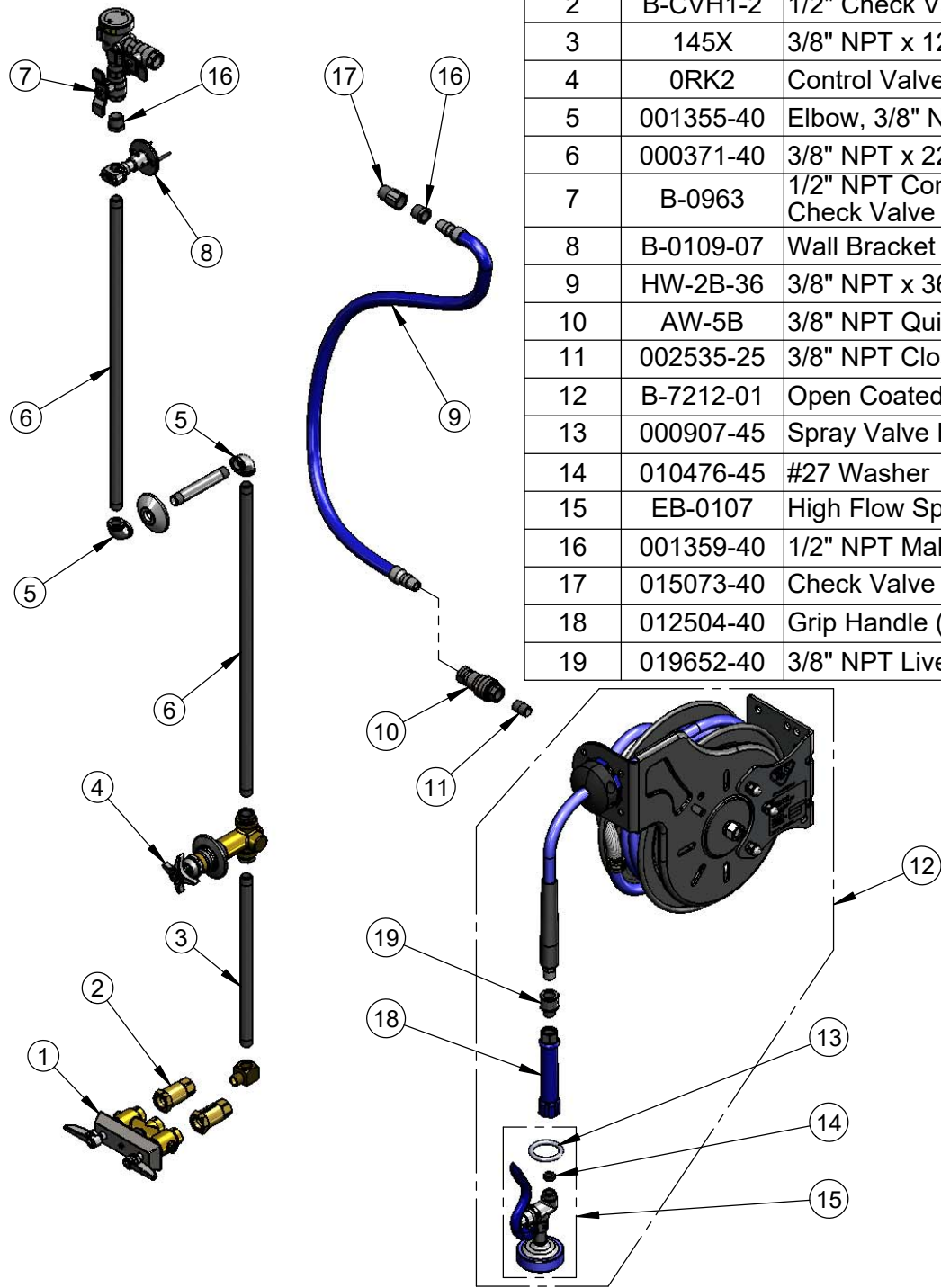
T&S BRASS AND BRONZE WORKS, INC.
 2 Saddleback Cove / P.O. Box 1088
 Travelers Rest, SC 29690

Model No.
B-7212-U01XS3

Item No.

Travelers Rest, SC: 800-476-4103 • Simi Valley, CA: 800-423-0150 • Fax: 864-834-3518 • www.tsbrass.com

ITEM NO.	SALES NO.	DESCRIPTION
1	B-0513	3" Concealed Mixing Faucet
2	B-CVH1-2	1/2" Check Valve
3	145X	3/8" NPT x 12" Riser
4	0RK2	Control Valve
5	001355-40	Elbow, 3/8" NPT
6	000371-40	3/8" NPT x 22" Riser
7	B-0963	1/2" NPT Continuous Pressure VB w/ Integral Check Valve
8	B-0109-07	Wall Bracket </td
9	HW-2B-36	3/8" NPT x 36" Flexible Water Hose
10	AW-5B	3/8" NPT Quick Disconnect
11	002535-25	3/8" NPT Close Nipple
12	B-7212-01	Open Coated Reel w/ 15' of 3/8" Hose
13	000907-45	Spray Valve Hold Down Ring
14	010476-45	#27 Washer
15	EB-0107	High Flow Spray Valve (Blue)
16	001359-40	1/2" NPT Male x 3/8" NPT Female Hex Bushing
17	015073-40	Check Valve w/ 1/2" NPT Adapter
18	012504-40	Grip Handle (Blue), 3/8" NPT
19	019652-40	3/8" NPT Live Swivel



Product Specifications:
 Open Coated Hose Reel w/ 15' of 3/8" Hose, High Flow Spray Valve (Blue) w/ Swivel, Vacuum Breaker, 3/8" NPT Flexible Water Connector, 3" Concealed Mixing Faucet & Control Valve

Product Compliance:
 NSF 61 Exempt (Non-Potable)
 EPA Act 2005 Non-Compliant (PRSV)
 ASSE 1056 (VB)