



# T&S BRASS AND BRONZE WORKS, INC.

2 Saddleback Cove / P.O. Box 1088  
Travelers Rest, SC 29690

Model No.

**B-7142-U05WS5**

Item No.

Travelers Rest, SC: 800-476-4103 • Simi Valley, CA: 800-423-0150 • Fax: 864-834-3518 • www.tsbrass.com

This Space for Architect/Engineer Approval

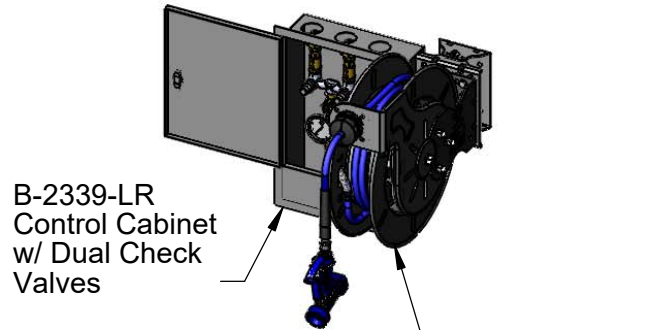
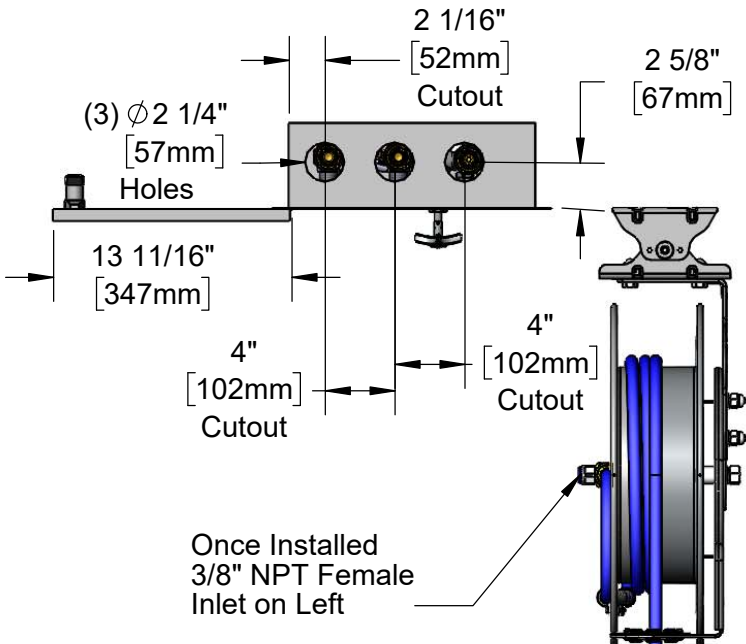
Job Name \_\_\_\_\_ Date \_\_\_\_\_

Model Specified \_\_\_\_\_ Quantity \_\_\_\_\_

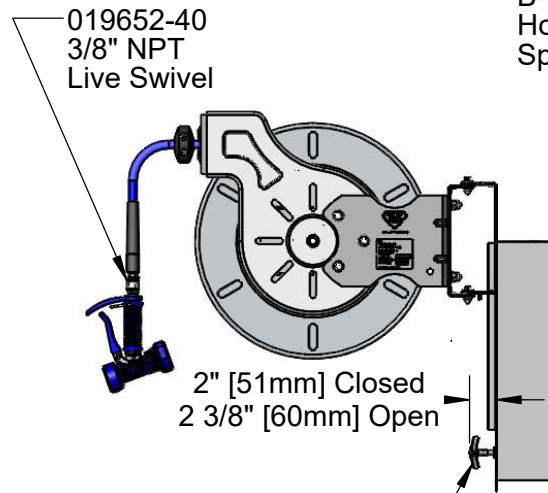
Customer/Wholesaler \_\_\_\_\_

Contractor \_\_\_\_\_

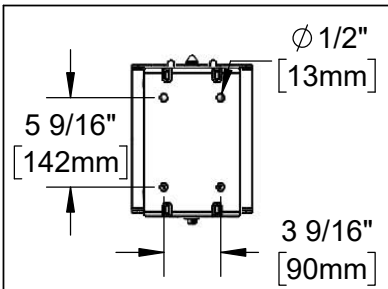
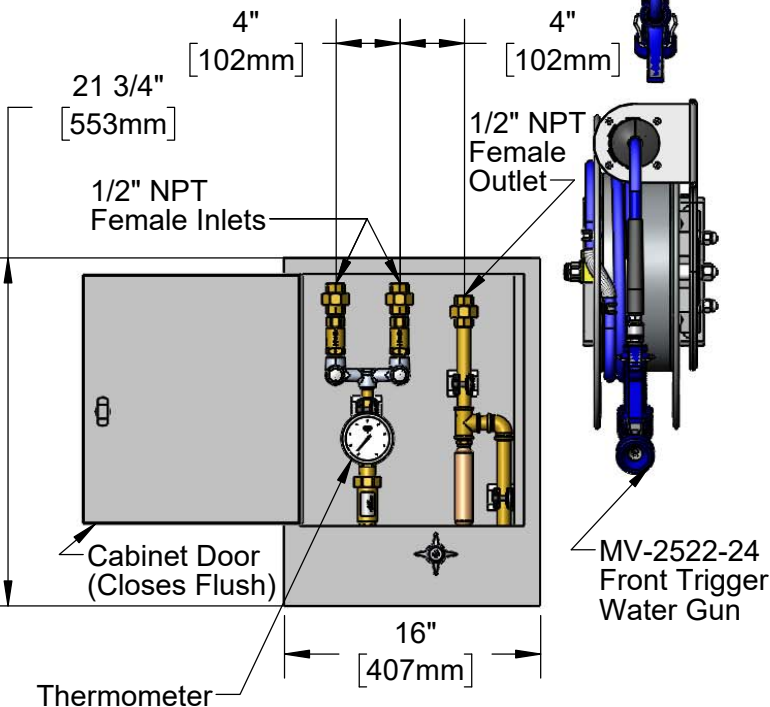
Architect/Engineer \_\_\_\_\_



B-7142-05 Hose Reel w/ Spray Valve



Main Shutoff Valve Body Behind Panel. Operable From Outside of Closed Cabinet



EasyInstall Wall Mount Swing Bracket Mounting Holes

Cabinet Rough-In Requirement:  
20 1/4" H x 14 1/4" W x 5" D

**Product Specifications:**

Stainless Steel Hose Reel w/ 50' Hose, High Flow Water Gun w/ Swivel, Rinse Control Cabinet w/ Control Valve, Dual Check Valves, Thermometer & Water Hammer Arrestor, 100 Degree EasyInstall Stainless Steel Swing Bracket w/ Mounting Hardware

**Product Compliance:**

NSF 61 Exempt (Non-Potable)  
ASSE 1024 (VB)  
2019 DOE PRSV Non-Compliant



# T&S BRASS AND BRONZE WORKS, INC.

2 Saddleback Cove / P.O. Box 1088  
Travelers Rest, SC 29690

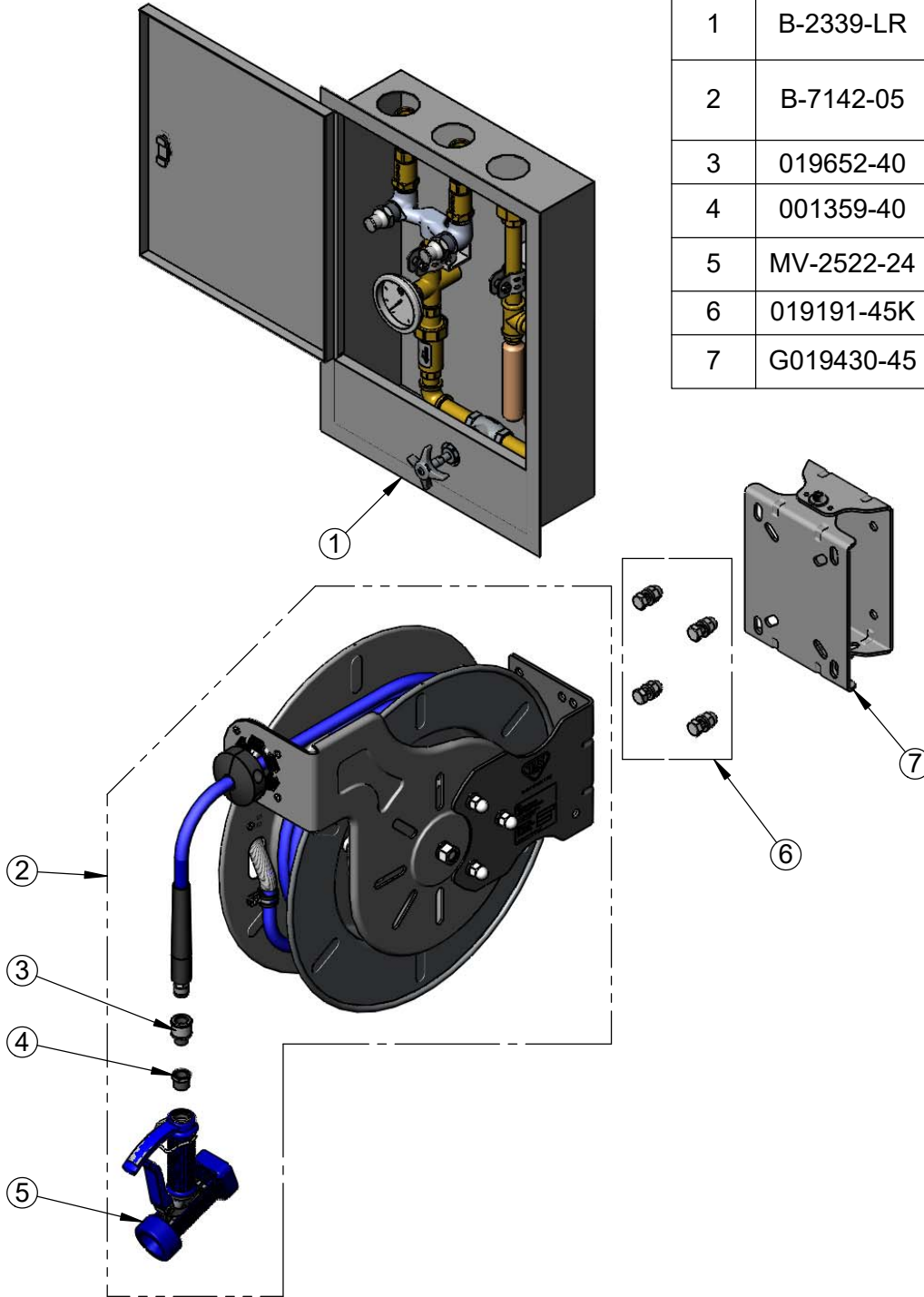
Model No.

**B-7142-U05WS5**

Item No.

Travelers Rest, SC: 800-476-4103 • Simi Valley, CA: 800-423-0150 • Fax: 864-834-3518 • www.tsbrass.com

| ITEM NO. | SALES NO.  | DESCRIPTION  |
|----------|------------|--|
| 1        | B-2339-LR  | Reel Control Cabinet w/ Control Valve, Dual Check Valves & Thermometer   |
| 2        | B-7142-05  | Open Stainless Steel Reel w/ 50' of 3/8" Hose w/ Front Trigger Water Gun |
| 3        | 019652-40  | 3/8" NPT Live Swivel   |
| 4        | 001359-40  | Hex Bushing, 1/2" NPT Male x 3/8" NPT Female                             |
| 5        | MV-2522-24 | Stainless Steel Water Gun, Front Trigger                                 |
| 6        | 019191-45K | Hose Reel Mounting Kit   |
| 7        | G019430-45 | EasyInstall Hose Reel Stainless Steel Swing Bracket                      |



**Product Specifications:**

Stainless Steel Hose Reel w/ 50' Hose, High Flow Water Gun w/ Swivel, Rinse Control Cabinet w/ Control Valve, Dual Check Valves, Thermometer & Water Hammer Arrestor, 100 Degree EasyInstall Stainless Steel Swing Bracket w/ Mounting Hardware

**Product Compliance:**

NSF 61 Exempt (Non-Potable)  
ASSE 1024 (VB)  
2019 DOE PRSV Non-Compliant