



T&S BRASS AND BRONZE WORKS, INC.
 2 Saddleback Cove / P.O. Box 1088
 Travelers Rest, SC 29690

Model No.
B-7133-FG

Item No.

Travelers Rest, SC: 800-476-4103 • Simi Valley, CA: 800-423-0150 • Fax: 864-834-3518 • www.tsbrass.com

This Space for Architect/Engineer Approval

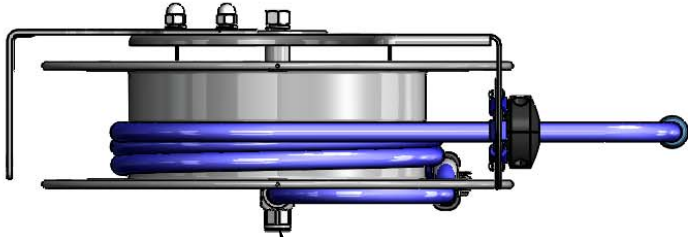
Job Name _____ Date _____

Model Specified _____ Quantity _____

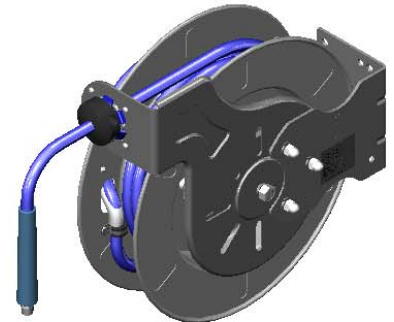
Customer/Wholesaler _____

Contractor _____

Architect/Engineer _____



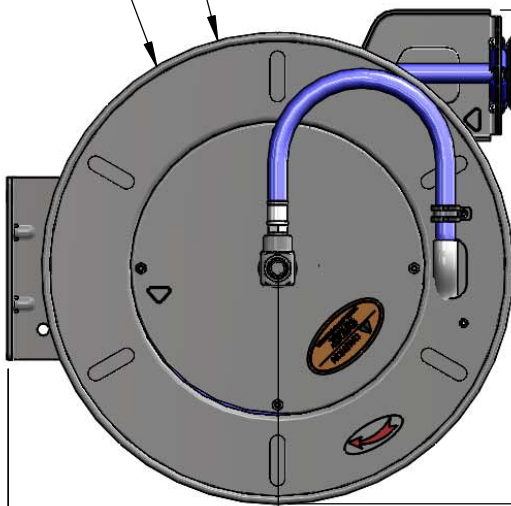
1/2" NPT Female Inlet
 (Left Side of Reel)



Open Stainless Steel Hose Reel
 35' of 1/2" Food Grade Hose

Ø 19 5/8"
 [498mm]

9 9/16"
 [242mm]

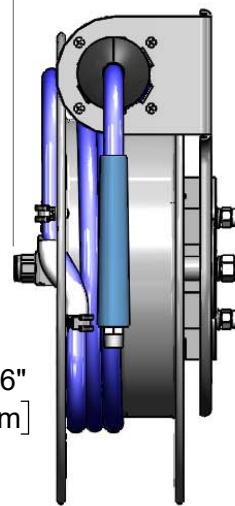


11 1/4"
 [286mm]

21 1/16"
 [535mm]

20 9/16"
 [523mm]

1/2" NPT
 Male Outlet



3 1/8"
 [79mm]

Hose Reel Base

6 3/16"
 [158mm]

Ø 1/2"
 [13mm]

7 9/16"
 [193mm]

6"
 [152mm]

13/16"
 [21mm]

1/2"
 [13mm]

Product Specifications:

1/2" x 35' Open Stainless Steel Food Grade Reel w/ 1/2" NPT Male Hose Outlet

Product Compliance:

NSF 51
 NSF 61 Exempt (Non-Potable)
 EPAAct 2005 Non-Compliant (PRSV)

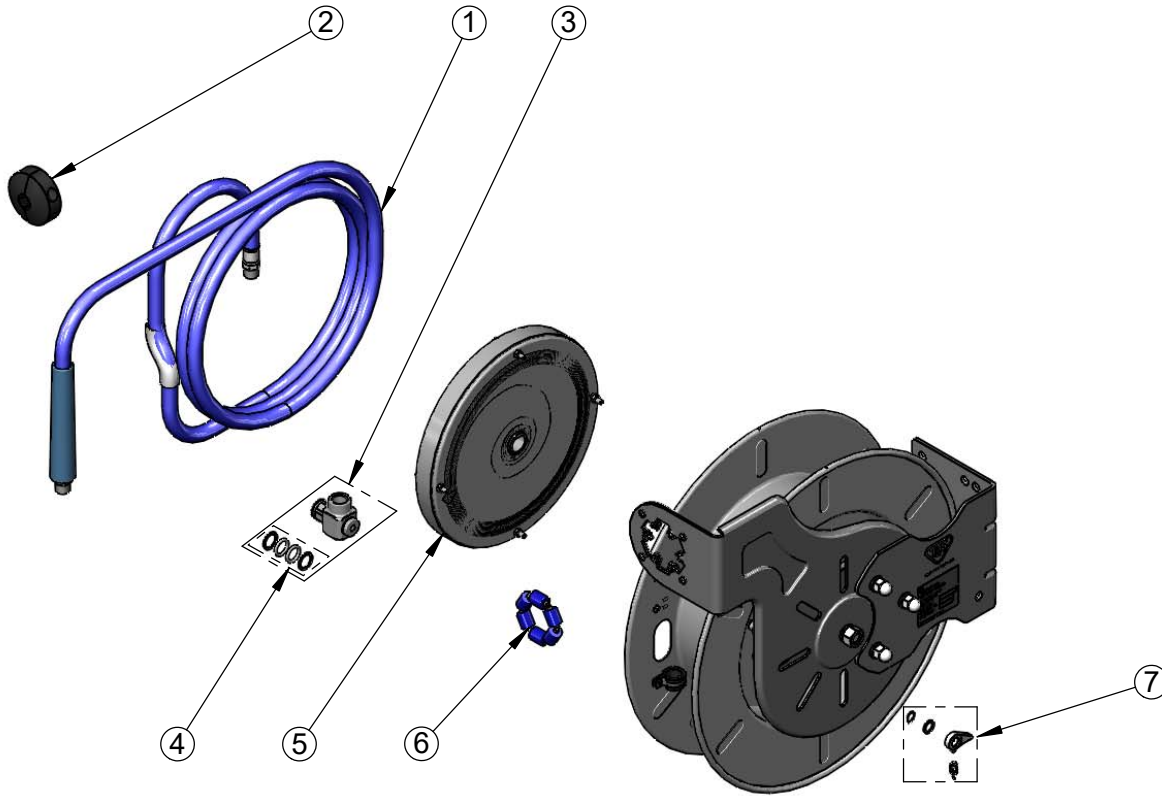


T&S BRASS AND BRONZE WORKS, INC.
 2 Saddleback Cove / P.O. Box 1088
 Travelers Rest, SC 29690

Model No.
B-7133-FG
 Item No.

Travelers Rest, SC: 800-476-4103 • Simi Valley, CA: 800-423-0150 • Fax: 864-834-3518 • www.tsbrass.com

ITEM NO.	SALES NO.	DESCRIPTION
1	019419-45	1/2" x 35' Food Grade Hose Replacement Kit
2	019499-45	1/2" Hose Stop Repair Kit
3	014947-45	1/2" Swivel Repair Kit
4	019473-45	O-Ring Replacement Kit
5	014935-45	Large Stainless Steel Spring
6	014938-45	Roller Replacement Kit
7	014940-45	Ratchet Repair Kit



Product Specifications:
 1/2" x 35' Open Stainless Steel Food Grade Reel w/ 1/2" NPT Male Hose Outlet

Product Compliance:
 NSF 51
 NSF 61 Exempt (Non-Potable)
 EPAAct 2005 Non-Compliant (PRSV)