



T&S BRASS AND BRONZE WORKS, INC.

2 Saddleback Cove / P.O. Box 1088
Travelers Rest, SC 29690

Model No.

B-7133-FG-01

Item No.

Travelers Rest, SC: 800-476-4103 • Simi Valley, CA: 800-423-0150 • Fax: 864-834-3518 • www.tsbrass.com

This Space for Architect/Engineer Approval

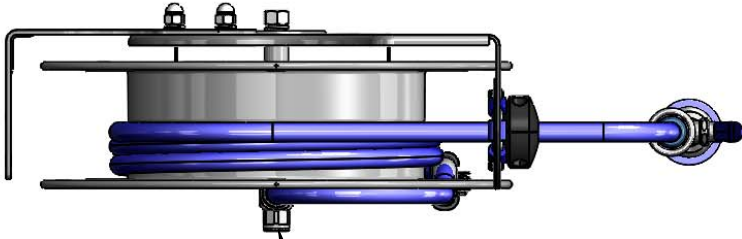
Job Name _____ Date _____

Model Specified _____ Quantity _____

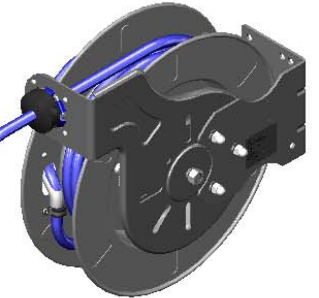
Customer/Wholesaler _____

Contractor _____

Architect/Engineer _____

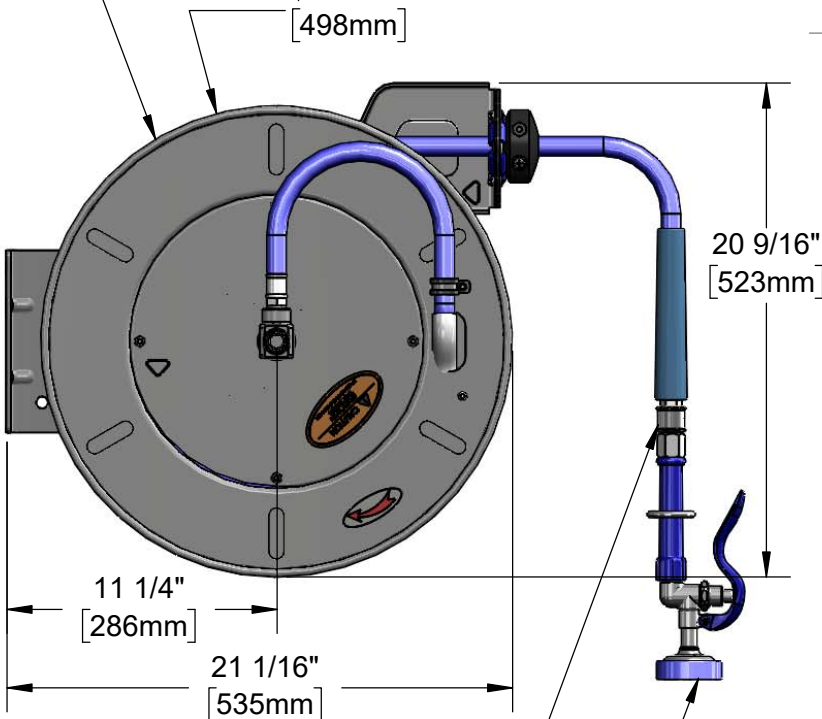


1/2" NPT Female Inlet
(Left Side of Reel)



Open Stainless Steel Hose Reel
35' of 1/2" Food Grade Hose

Ø 19 5/8"
[498mm]

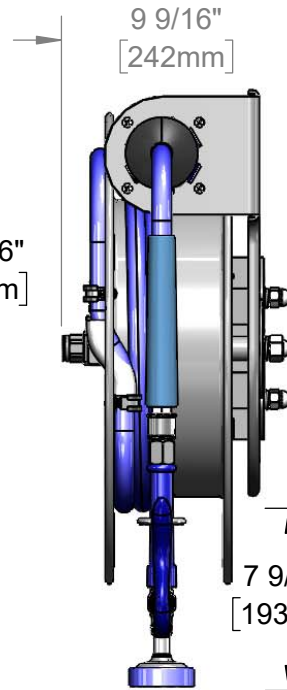


11 1/4"
[286mm]

21 1/16"
[535mm]

20 9/16"
[523mm]

019653-40
1/2" NPT Live Swivel



9 9/16"
[242mm]

7 9/16"
[193mm]

3 1/8"
[79mm]

Hose Reel Base

6 3/16"
[158mm]

Ø 1/2"
[13mm]

6"
[152mm]

13/16"
[21mm]

1/2"
[13mm]

EB-0107
High Flow
Spray Valve

Product Specifications:

1/2" x 35' Open Stainless Steel Food Grade Reel, High Flow Spray Valve w/
Swivel & 1/2" Female Hose Inlet

Product Compliance:

NSF 51
NSF 61 Exempt (Non-Potable)
EPA Act 2005 Non-Compliant (PRSV)
FDA 21 CFR 177.2600



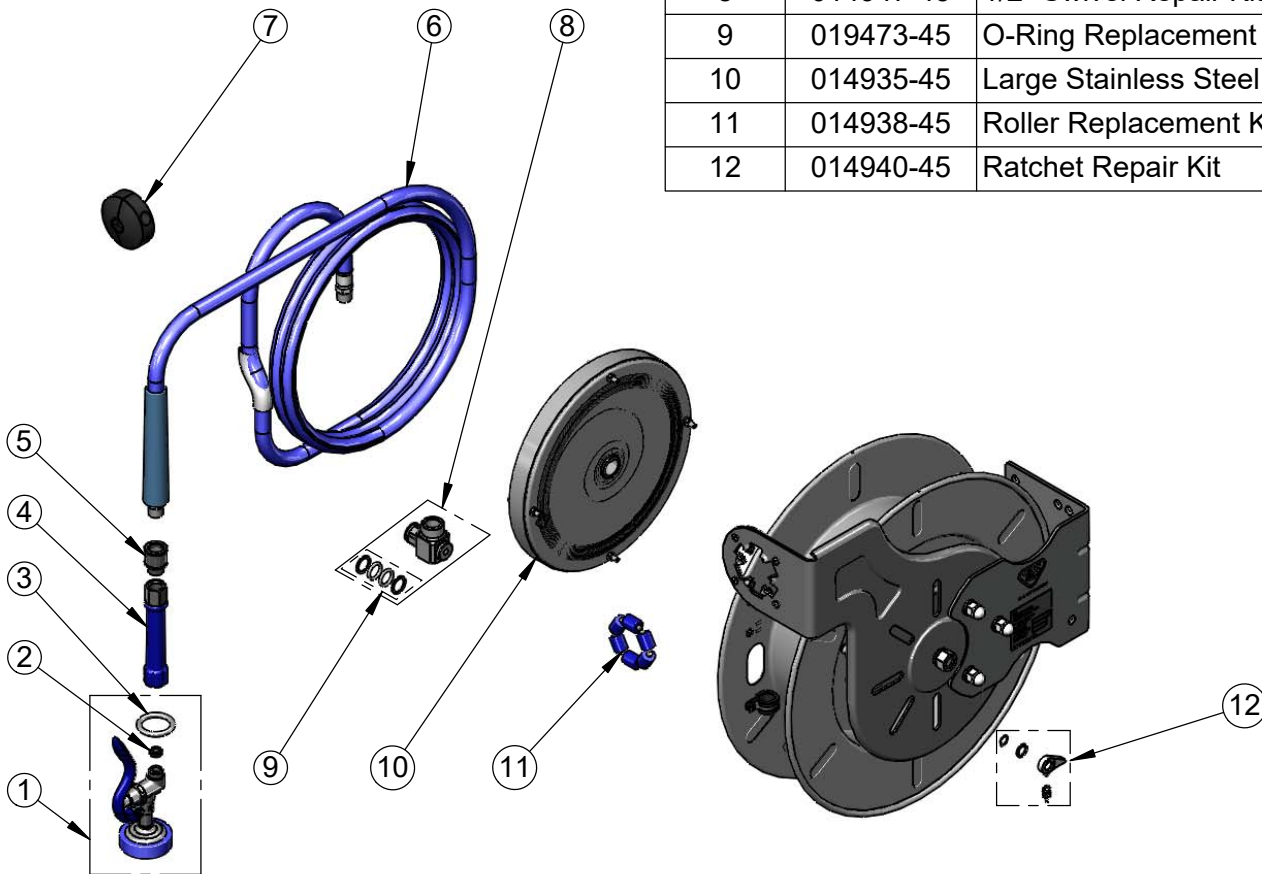
T&S BRASS AND BRONZE WORKS, INC.
 2 Saddleback Cove / P.O. Box 1088
 Travelers Rest, SC 29690

Model No.
B-7133-FG-01

Item No.

Travelers Rest, SC: 800-476-4103 • Simi Valley, CA: 800-423-0150 • Fax: 864-834-3518 • www.tsbrass.com

ITEM NO.	SALES NO.	DESCRIPTION
1	EB-0107	High Flow Spray Valve
2	010476-45	#27 Washer
3	000907-45	Spray Valve Hold Down Ring
4	015082-40	Blue Grip Handle
5	019653-40	1/2" NPT Live Swivel
6	019419-45	1/2" x 35' Food Grade Hose Replacement Kit
7	019499-45	1/2" Hose Stop Repair Kit
8	014947-45	1/2" Swivel Repair Kit
9	019473-45	O-Ring Replacement Kit
10	014935-45	Large Stainless Steel Spring
11	014938-45	Roller Replacement Kit
12	014940-45	Ratchet Repair Kit



Product Specifications:
 1/2" x 35' Open Stainless Steel Food Grade Reel, High Flow Spray Valve w/
 Swivel & 1/2" Female Hose Inlet

Product Compliance:
 NSF 51
 NSF 61 Exempt (Non-Potable)
 EPA Act 2005 Non-Compliant (PRSV)
 FDA 21 CFR 177.2600