



T&S BRASS AND BRONZE WORKS, INC.
 2 Saddleback Cove / P.O. Box 1088
 Travelers Rest, SC 29690

Model No.
B-7102-01M-STB

Item No.

Travelers Rest, SC: 800-476-4103 • Simi Valley, CA: 800-423-0150 • Fax: 864-834-3518 • www.tsbrass.com

This Space for Architect/Engineer Approval

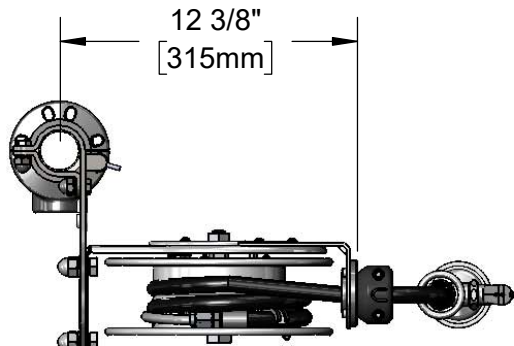
Job Name _____ Date _____

Model Specified _____ Quantity _____

Customer/Wholesaler _____

Contractor _____

Architect/Engineer _____



12 3/8"
[315mm]

Mounting Hardware Included for Hose Reel to Bracket

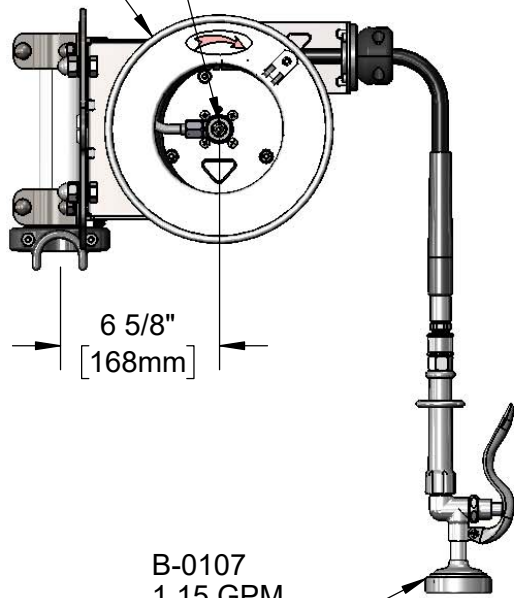
Stainless Steel ϕ 1 5/8" Table Leg Mount Swing Bracket w/ 180° Multiple Locking Position Rotation



Bracket Can Be Mounted to Swing Either Left or Right

ϕ 9 1/2"
[241mm]

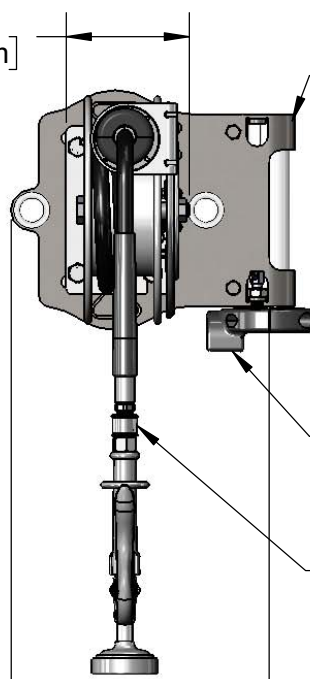
3/8" NPT Female Inlet (Left Side of Reel)



6 5/8"
[168mm]

B-0107
1.15 GPM
Spray Valve

5 1/8"
[130mm]



10 3/4"
[273mm]

Must Have ϕ 1 5/8" Horizontal Support Attached to Table Leg

019652-40
3/8" NPT
Live Swivel

Product Specifications:

3/8" x 12 Ft. Open Stainless Steel Reel, 1.15 GPM Spray Valve w/ Swivel & 180 Degree Stainless Steel Table Leg Multiple Locking Position Swing Bracket w/ Mounting Hardware for Hose Reel to Bracket

Product Compliance:

NSF 61 Exempt (Non-Potable)
 2019 DOE PRSV - Class II



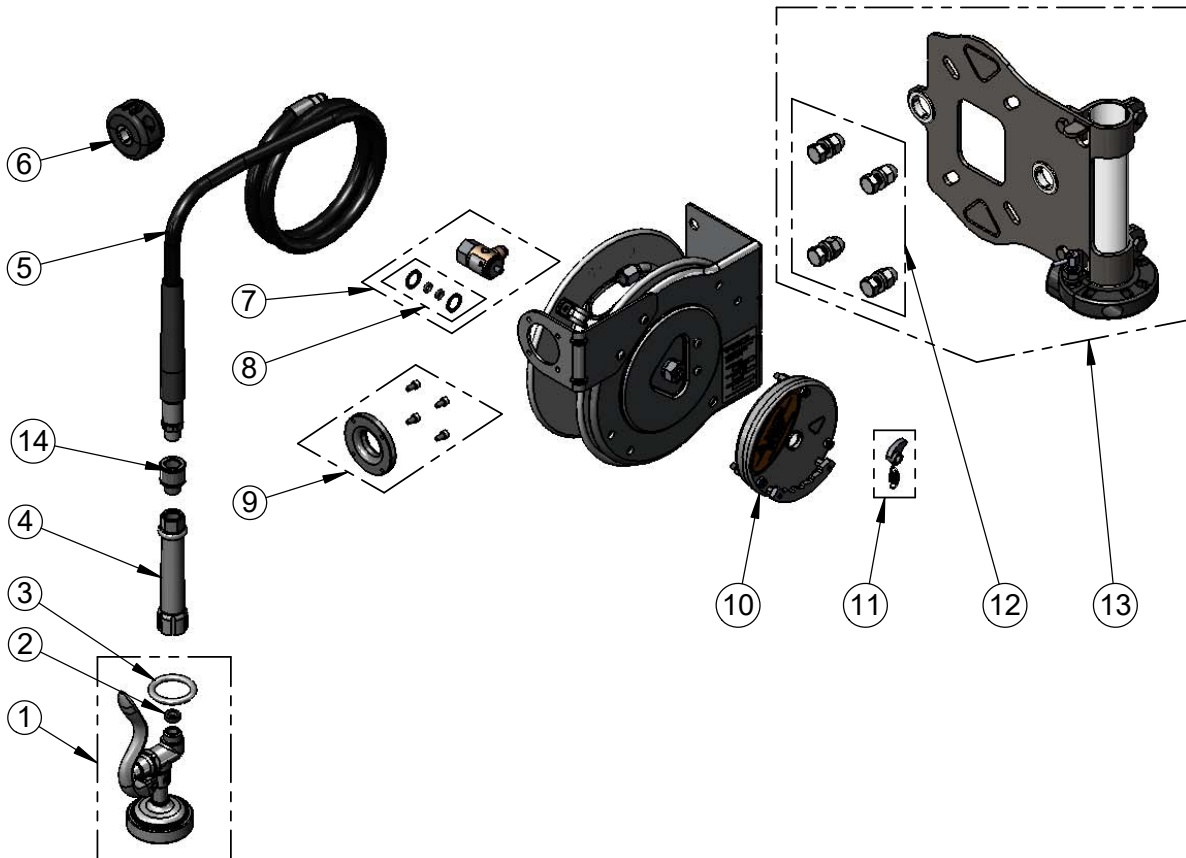
T&S BRASS AND BRONZE WORKS, INC.
 2 Saddleback Cove / P.O. Box 1088
 Travelers Rest, SC 29690

Model No.
B-7102-01M-STB

Item No.

Travelers Rest, SC: 800-476-4103 • Simi Valley, CA: 800-423-0150 • Fax: 864-834-3518 • www.tsbrass.com

ITEM NO.	SALES NO.	DESCRIPTION
1	B-0107	1.15 GPM Spray Valve
2	010476-45	#27 Washer
3	000907-45	Spray Valve Hold Down Ring
4	002881-40	Grip Handle
5	017938-45	3/8" x 12 Ft. Hose Replacement Kit
6	019246-45	Hose Stop Repair Kit
7	017355-45	Swivel Repair Kit
8	014948-45	O-Ring Replacement Kit
9	017352-45	Guide Bushing Kit
10	017362-45	Spring
11	017359-45	Ratchet Lever Kit
12	019191-45K	Hose Reel Bracket Mounting Kit
13	G018477-45	Stainless Steel Table Leg Swing Bracket
14	019652-40	3/8" NPT Live Swivel



Product Specifications:
 3/8" x 12 Ft. Open Stainless Steel Reel, 1.15 GPM Spray Valve w/ Swivel & 180 Degree Stainless Steel Table Leg Multiple Locking Position Swing Bracket w/ Mounting Hardware for Hose Reel to Bracket

Product Compliance:
 NSF 61 Exempt (Non-Potable)
 2019 DOE PRSV - Class II