



# T&S BRASS AND BRONZE WORKS, INC.

2 Saddleback Cove / P.O. Box 1088  
Travelers Rest, SC 29690

Model No.

**B-5120-12-CRBJ**

Item No.

Travelers Rest, SC: 800-476-4103 • Simi Valley, CA: 800-423-0150 • Fax: 864-834-3518 • www.tsbrass.com

This Space for Architect/Engineer Approval

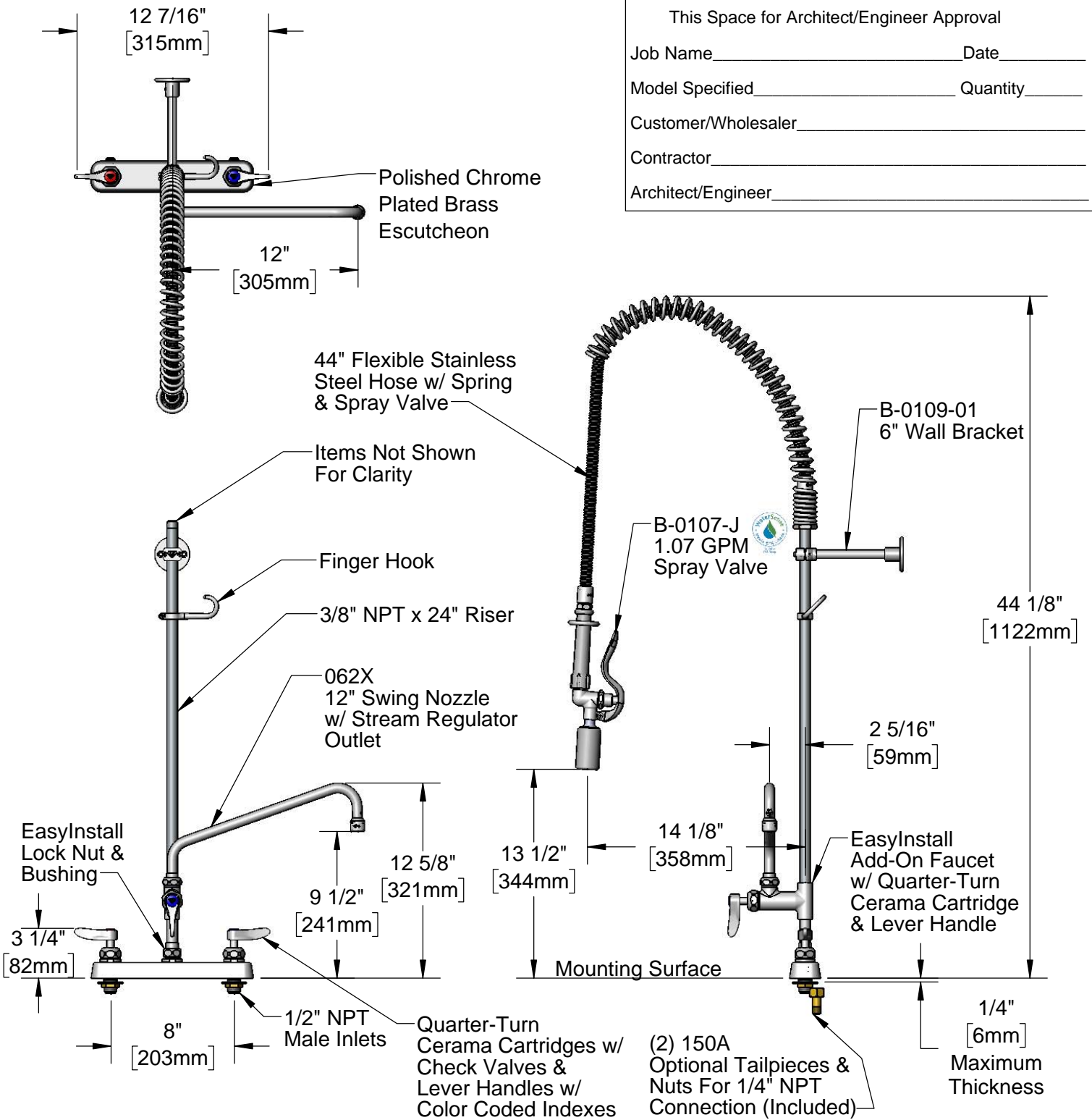
Job Name \_\_\_\_\_ Date \_\_\_\_\_

Model Specified \_\_\_\_\_ Quantity \_\_\_\_\_

Customer/Wholesaler \_\_\_\_\_

Contractor \_\_\_\_\_

Architect/Engineer \_\_\_\_\_



**Product Specifications:**

Pre-Rinse Unit: EasyInstall 8" Deck Mount Workboard Faucet, Quarter-Turn Cerama Cartridges w/ Check Valves, Lever Handles, Add-On Faucet, 12" Swing Nozzle, 44" Flexible Stainless Steel Hose, 1.07 GPM Spray Valve, 6" Wall Bracket & 1/2" NPT Male Inlets

**Product Compliance:**

ASME A112.18.1 / CSA B125.1  
NSF 61 - Section 9  
NSF 372 (Low Lead Content)  
EPA Act 2005 (PRSV)  
EPA WaterSense (PRSV)



# T&S BRASS AND BRONZE WORKS, INC.

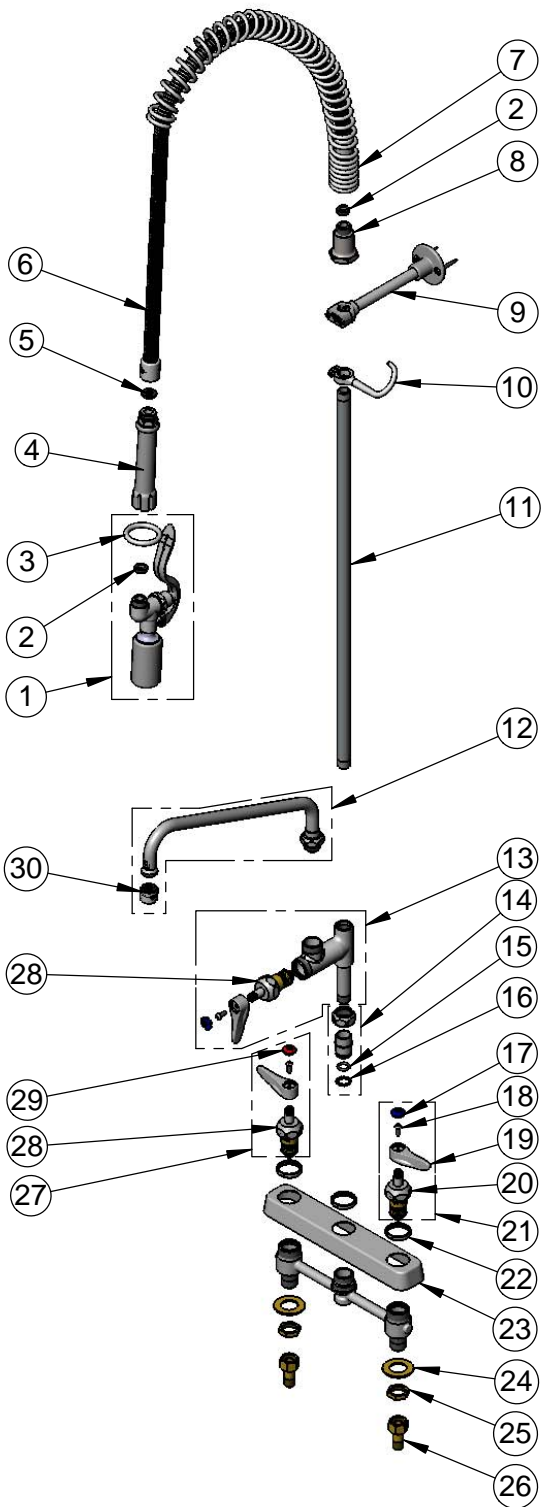
2 Saddleback Cove / P.O. Box 1088  
Travelers Rest, SC 29690

Model No.

**B-5120-12-CRBJ**

Item No.

Travelers Rest, SC: 800-476-4103 • Simi Valley, CA: 800-423-0150 • Fax: 864-834-3518 • www.tsbrass.com



| ITEM NO. | SALES NO.    | DESCRIPTION  |
|----------|--------------|--|
| 1        | B-0107-J     | 1.07 GPM Spray Valve   |
| 2        | 010476-45    | #27 Washer   |
| 3        | 000907-45    | Spray Valve Hold Down Ring   |
| 4        | 002987-40    | Grip Handle  |
| 5        | 001014-45    | Washer, B-0100 Hose Barrel   |
| 6        | B-0044-H2A   | 44" Stainless Steel Flex Hose, Less Handle                                     |
| 7        | 000888-45    | EasyInstall Overhead Spring  |
| 8        | 000821-40    | Spring Body  |
| 9        | B-0109-01    | 6" Wall Bracket  |
| 10       | 004R         | Finger Hook  |
| 11       | 000372-40    | 3/8" NPT x 24" Riser   |
| 12       | 062X         | 12" Swing Nozzle w/ Stream Regulator Outlet                                    |
| 13       | B-0155-CR-LN | EasyInstall Cerama Add-On Faucet, Less Nozzle                                  |
| 14       | EZ-K         | EasyInstall Kit: Nut, Bushing, O-ring & Lock Washer                            |
| 15       | 001065-45    | O-ring   |
| 16       | 014200-45    | Star Washer, Anti-Rotation   |
| 17       | 018506-19NS  | Blue Button Index, Press-in  |
| 18       | 000925-45    | Lab Handle Screw   |
| 19       | 001638-45NS  | Lever Handle (New Style)   |
| 20       | 012395-25NS  | Quarter-Turn Cerama Cartridge, LTC w/ Check Valve                              |
| 21       | 012447-25NS  | Quarter-Turn Cerama Cartridge, LTC w/ Check Valve, Lever Handle, Index & Screw |
| 22       | 019376-40    | Escutcheon Lock Nut  |
| 23       | 019612-40    | 8" c/c Brass Escutcheon  |
| 24       | 000999-45    | Brass Lock Washer  |
| 25       | 002954-45    | Shank Lock Nut   |
| 26       | 150A         | 1/4" NPT Tailpiece & Nut   |
| 27       | 012446-25NS  | Quarter-Turn Cerama Cartridge, RTC w/ Check Valve, Lever Handle, Index & Screw |
| 28       | 012394-25NS  | Quarter-Turn Cerama Cartridge, RTC w/ Check Valve                              |
| 29       | 001193-19NS  | Red Button Index, Press-in   |
| 30       | B-PT         | Full Flow Stream Regulator, 55/64-27   |

**Product Specifications:**

Pre-Rinse Unit: EasyInstall 8" Deck Mount Workboard Faucet, Quarter-Turn Cerama Cartridges w/ Check Valves, Lever Handles, Add-On Faucet, 12" Swing Nozzle, 44" Flexible Stainless Steel Hose, 1.07 GPM Spray Valve, 6" Wall Bracket & 1/2" NPT Male Inlets

**Product Compliance:**

ASME A112.18.1 / CSA B125.1  
NSF 61 - Section 9  
NSF 372 (Low Lead Content)  
EPA Act 2005 (PRSV)  
EPA WaterSense (PRSV)