



**T&S BRASS AND BRONZE WORKS, INC.**  
 2 Saddleback Cove / P.O. Box 1088  
 Travelers Rest, SC 29690

Model No.  
**B-3972-01-XS**

Item No.

Travelers Rest, SC: 800-476-4103 • Simi Valley, CA: 800-423-0150 • Fax: 864-834-3518 • www.tsbrass.com

This Space for Architect/Engineer Approval

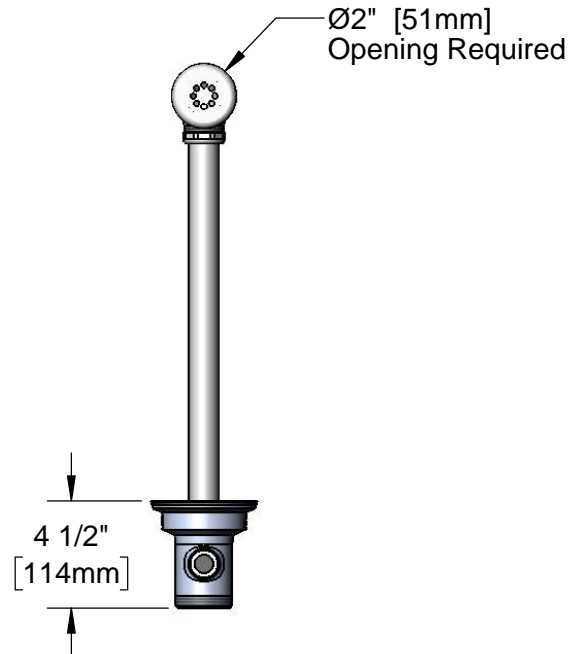
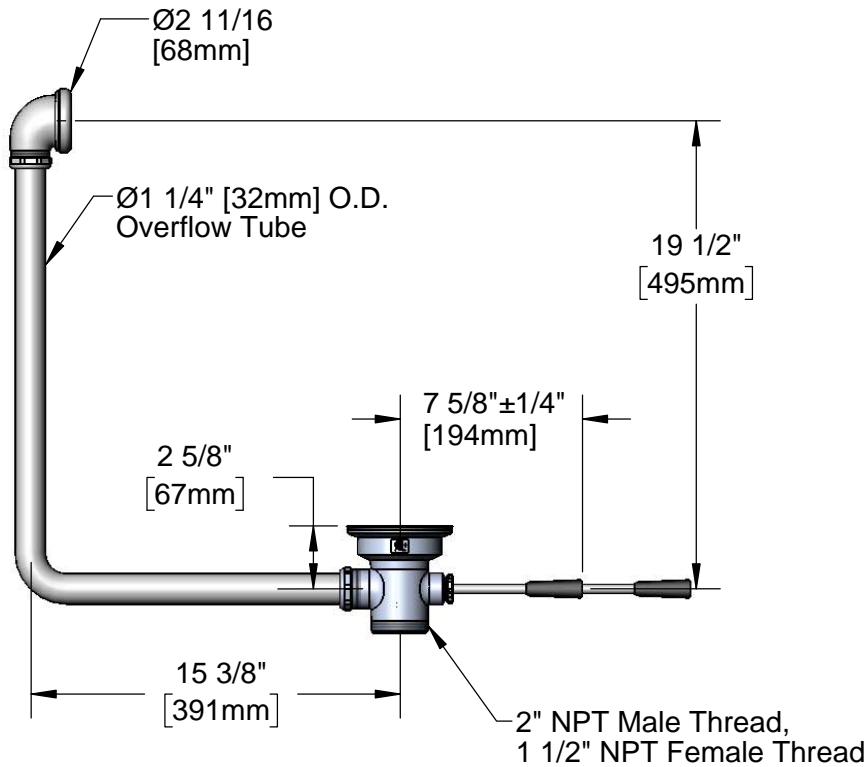
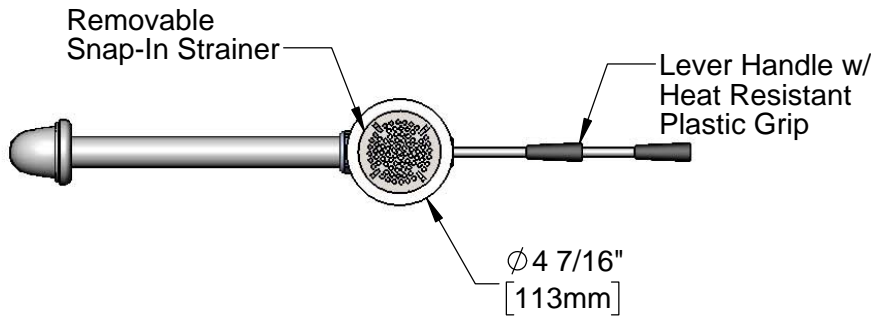
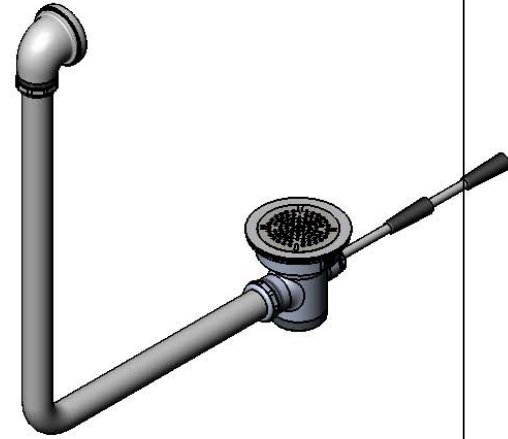
Job Name \_\_\_\_\_ Date \_\_\_\_\_

Model Specified \_\_\_\_\_ Quantity \_\_\_\_\_

Customer/Wholesaler \_\_\_\_\_

Contractor \_\_\_\_\_

Architect/Engineer \_\_\_\_\_



Product Specifications:  
 Waste Drain Valve w/ Short Lever Handle, 3 1/2" Sink Opening, 2" NPT Male Outlet, 1 1/2" NPT Female Outlet & Overflow Tube w/ Head Asm

Product Compliance:  
 ASME A112.18.2 / CSA B125.2



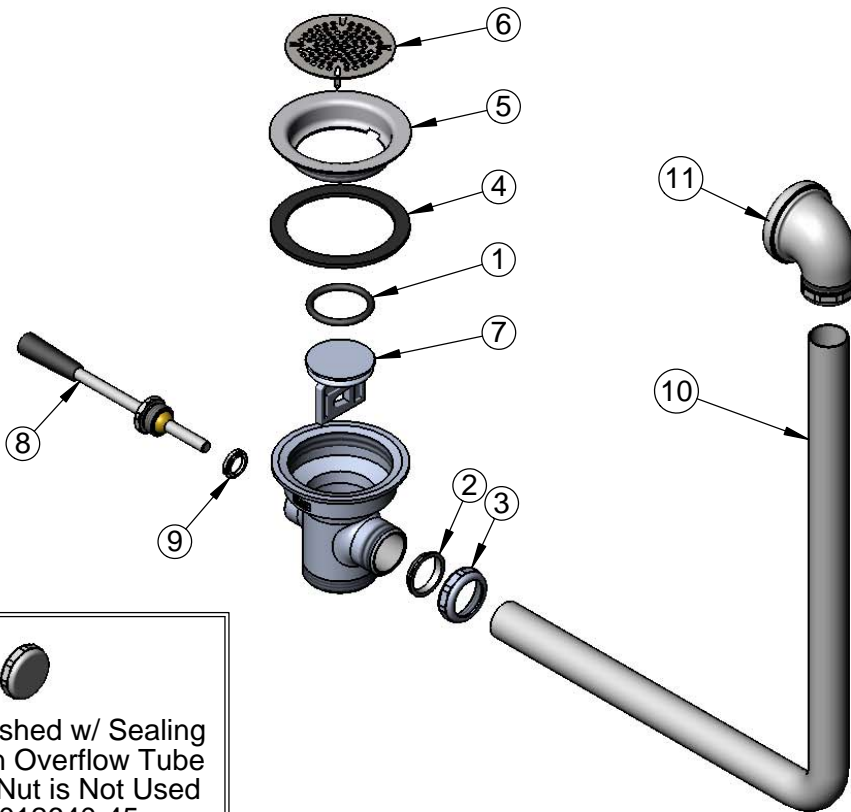
**T&S BRASS AND BRONZE WORKS, INC.**  
 2 Saddleback Cove / P.O. Box 1088  
 Travelers Rest, SC 29690

Model No.  
**B-3972-01-XS**

Item No.

Travelers Rest, SC: 800-476-4103 • Simi Valley, CA: 800-423-0150 • Fax: 864-834-3518 • www.tsbrass.com

| ITEM NO. | SALES NO.   | DESCRIPTION                        |
|----------|-------------|------------------------------------|
| 1        | 010389-45   | O-Ring, Plunger                    |
| 2        | 010390-45   | Ferrule, Coupling Nut              |
| 3        | 010391-45   | Nut, Coupling for Twist Drain      |
| 4        | 010382-45   | Gasket, 3 1/2" Face Flange         |
| 5        | 010384-45   | Flange, 3 1/2" Face                |
| 6        | 010386-45   | Strainer, 3 1/2" Snap-in Removable |
| 7        | 010388-45   | Plunger, Lever and Twist Drain     |
| 8        | 010394-45XS | Handle, Waste Valve Short Lever    |
| 9        | 010392-45   | Bushing, Waste Drain Lever Handle  |
| 10       | 011355-45   | Tube, Overflow Elbow               |
| 11       | 011356-45   | Head Asm, Overflow Tube            |



Also Furnished w/ Sealing Cap When Overflow Tube Coupling Nut is Not Used  
 PN# 012640-45

**Product Specifications:**

Waste Drain Valve w/ Short Lever Handle, 3 1/2" Sink Opening, 2" NPT Male Outlet, 1 1/2" NPT Female Outlet & Overflow Tube w/ Head Asm

**Product Compliance:**

ASME A112.18.2 / CSA B125.2