



T&S BRASS AND BRONZE WORKS, INC.

2 Saddleback Cove / P.O. Box 1088
Travelers Rest, SC 29690

Model No.
B-2990-CW-VR22

Item No.

Travelers Rest, SC: 800-476-4103 • Simi Valley, CA: 800-423-0150 • Fax: 864-834-3518 • www.tsbrass.com



ADA Compliant

This Space for Architect/Engineer Approval

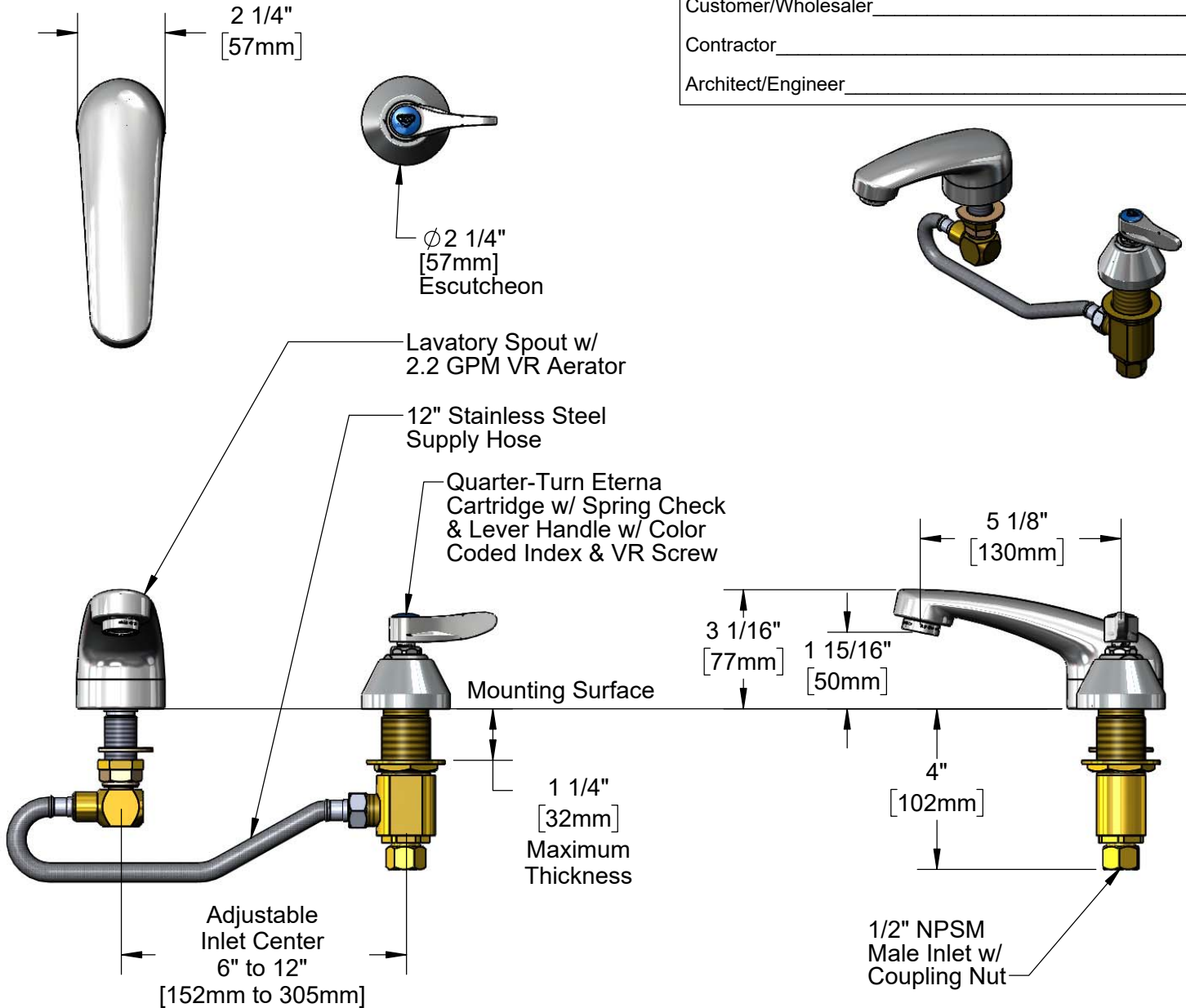
Job Name _____ Date _____

Model Specified _____ Quantity _____

Customer/Wholesaler _____

Contractor _____

Architect/Engineer _____



Rough-In Requirement:
Center Shank: ϕ 1" [25mm] Mounting Hole
Cold Side Body: ϕ 1 1/2" [38mm] Mounting Hole

Product Specifications:
Concealed Widespread Single Temperature Faucet, Quarter-Turn Eterna Cartridge w/ Spring Check, Lever Handle, Lavatory Spout w/ 2.2 GPM VR Aerator, VR Screw, 12" Flexible Connection Hose, 1/2" NPT Male Inlet w/ Coupling Nut

Product Compliance:
ASME A112.18.1 / CSA B125.1
NSF 61 - Section 9
NSF 372 (Low Lead Content)
ANSI A117.1 (ADA)



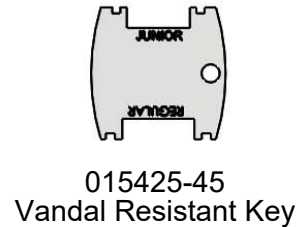
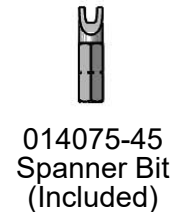
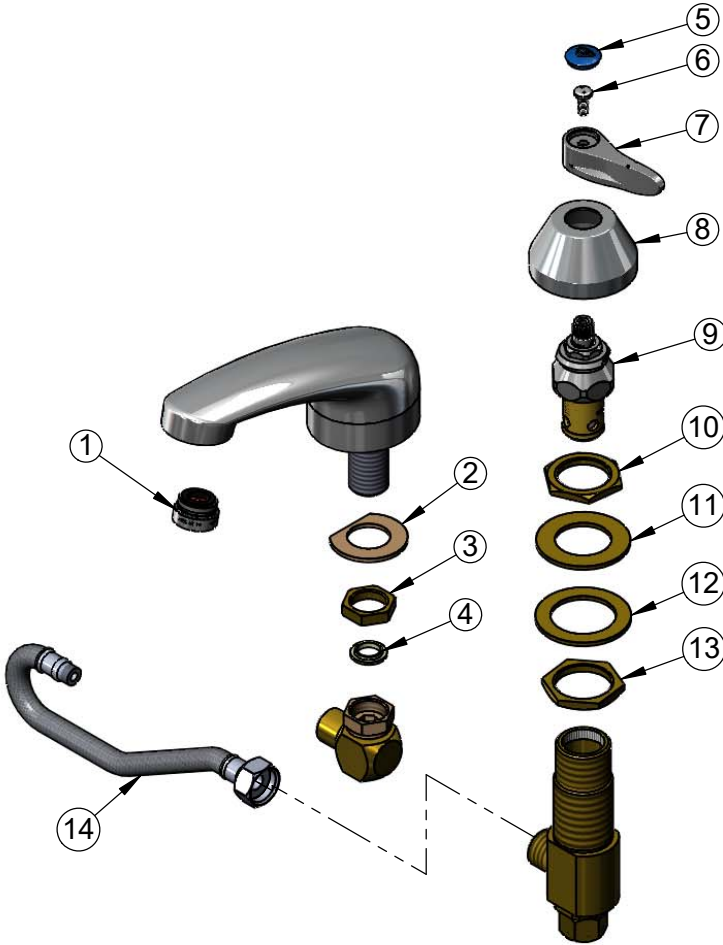
T&S BRASS AND BRONZE WORKS, INC.
 2 Saddleback Cove / P.O. Box 1088
 Travelers Rest, SC 29690

Model No.
B-2990-CW-VR22

Item No.

Travelers Rest, SC: 800-476-4103 • Simi Valley, CA: 800-423-0150 • Fax: 864-834-3518 • www.tsbrass.com

ITEM NO.	SALES NO.	DESCRIPTION
1	B-0199-08	VR 2.2 GPM Aerator, 13/16-27 UN Male w/ Key
2	012596-45BW	Shank Washer, Brass
3	002954-45	Shank Lock Nut
4	012702-45	Washer, Cross Body
5	018506-19NS	Blue Button Index, Press-in
6	VRS-2	VR Wrist Action Handle Screw (2) w/ Spanner Bit
7	001638-45NS	Lever Handle (New Style)
8	001257-40NS	Bell Escutcheon
9	006477-40NS	Quarter-Turn Eterna Cartridge w/ Spring Check, CWS Escutcheon Bonnet LTC
10	000959-20	Side Body Top Lock Nut
11	002290-45	Lock Washer
12	001006-45	Washer
13	000960-20	Side Body Bottom Lock Nut
14	011649-45	



Product Specifications:

Concealed Widespread Single Temperature Faucet, Quarter-Turn Eterna Cartridge w/ Spring Check, Lever Handle, Lavatory Spout w/ 2.2 GPM VR Aerator, VR Screw, 12" Flexible Connection Hose, 1/2" NPT Male Inlet w/ Coupling Nut

Product Compliance:

ASME A112.18.1 / CSA B125.1
 NSF 61 - Section 9
 NSF 372 (Low Lead Content)
 ANSI A117.1 (ADA)