



T&S BRASS AND BRONZE WORKS, INC.

2 Saddleback Cove / P.O. Box 1088
Travelers Rest, SC 29690

Model No.

B-2868-04

Item No.

Travelers Rest, SC: 800-476-4103 • Simi Valley, CA: 800-423-0150 • Fax: 864-834-3518 • www.tsbrass.com



ADA Compliant

This Space for Architect/Engineer Approval

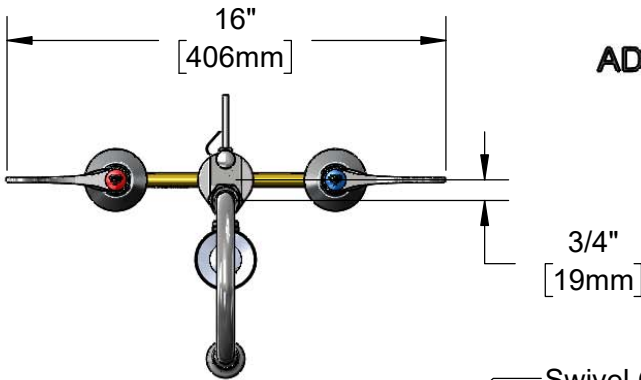
Job Name _____ Date _____

Model Specified _____ Quantity _____

Customer/Wholesaler _____

Contractor _____

Architect/Engineer _____



Swivel Gooseneck w/
B-0103-01
2.2 GPM Rosespray Outlet.
Rigid Conversion Requires
014200-45 Lock Washer
(Included)

Ø2" [51mm]
Swivel Deck
Flange w/ Pop-Up

Quarter-Turn Eterna
Cartridges w/ Spring
Checks & 4" Wrist Action
Handles w/ Color Coded
Indexes

Mounting Surface

Ø2 1/4"
[57mm]
Escutcheons

1/2" NPT
Coupling Nuts

Pop-Up Drain Assembly

8"
[203mm]

5 13/16"
[147mm]

6 5/16"
[160mm]

11 5/8"
[295mm]

1 1/4"
[31mm]
Maximum
Thickness



Rough-In Requirement:

Center Shank: Ø1" [25mm] Mounting Hole

Hot/Cold Side: Ø1 1/2" [38mm] Mounting Holes

Pop-Up Drain: Fits Sinks with Ø 1 7/16" [36mm] to Ø 1 3/4" [44mm] Drain Hole

Product Specifications:

8" Concealed Widespread EasyInstall Mixing Faucet, Quarter-Turn Eterna Cartridges w/ Spring Checks, Swivel/Rigid Gooseneck w/ 2.2 GPM Rosespray Outlet, Pop-Up Drain & 1/2" NPT Male Inlets

Product Compliance:

ASME A112.18.1 / CSA B125.1
NSF 61 - Section 9
NSF 372 (Low Lead Content)
ANSI A117.1 (ADA)



T&S BRASS AND BRONZE WORKS, INC.

2 Saddleback Cove / P.O. Box 1088
Travelers Rest, SC 29690

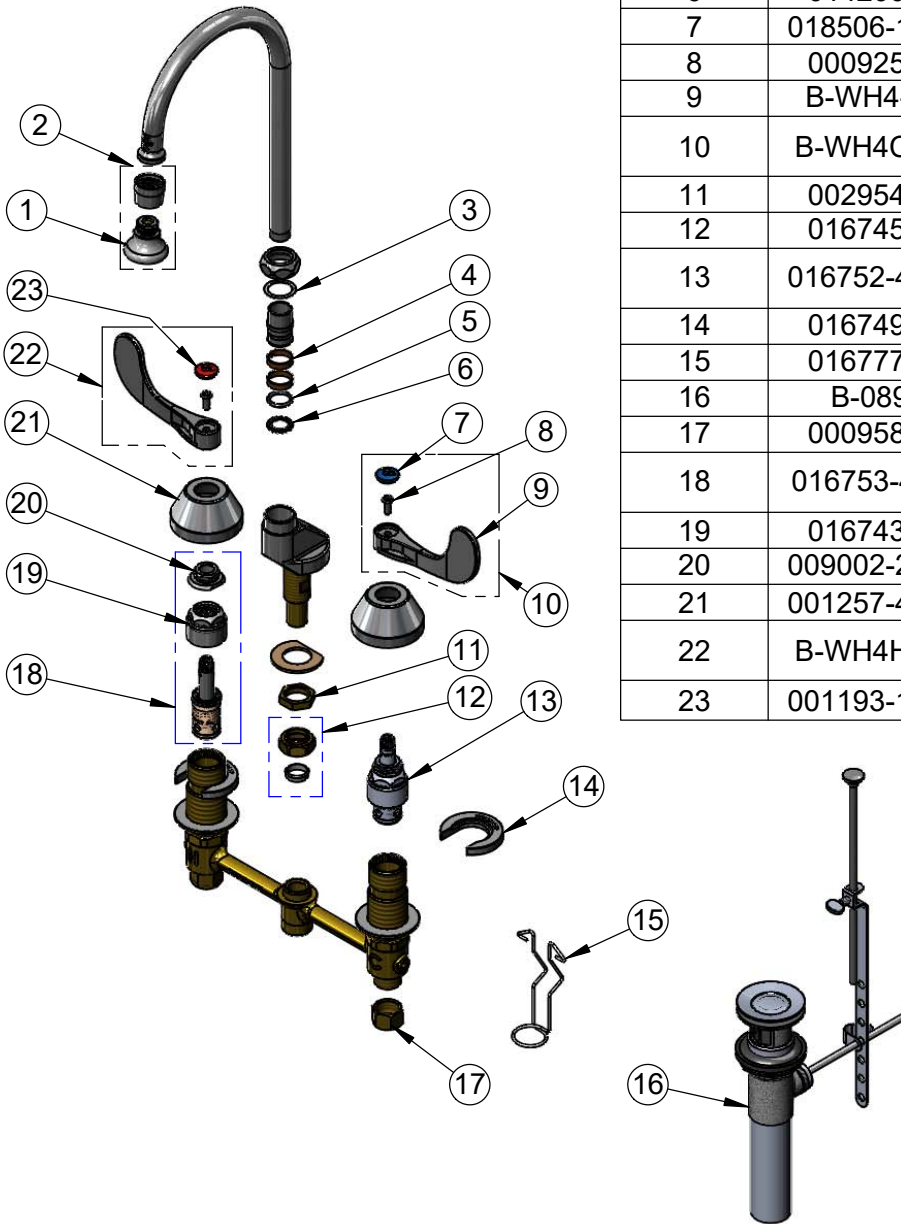
Model No.

B-2868-04

Item No.

Travelers Rest, SC: 800-476-4103 • Simi Valley, CA: 800-423-0150 • Fax: 864-834-3518 • www.tsbrass.com

ITEM NO.	SALES NO.	DESCRIPTION
1	B-0103	2.2 GPM Rosespray Outlet
2	B-0103-01	2.2 GPM Rosespray Outlet, 55/64-27 UN Female
3	009538-45	Swivel Washer
4	011429-45	Swivel Sleeves (2)
5	001074-45	O-Ring
6	014200-45	Star Washer, Anti-Rotation
7	018506-19NS	Blue Button Index, Press-in
8	000925-45	Lab Handle Screw
9	B-WH4-NS	Wrist Action Handle - New Style
10	B-WH4C-NS	4" Wrist-Action Handle, Screw & Blue Index
11	002954-45	Shank Lock Nut
12	016745-45	Compression Nut & Fitting
13	016752-40NS	EasyInstall CWS LTC Quarter-Turn Eterna Cartridge w/ Spring Check
14	016749-45	Sidebody C-Washer
15	016777-45	CWS Hanger
16	B-0898	Pop-Up Drain
17	000958-20	Coupling Nut
18	016753-40NS	EasyInstall CWS RTC Quarter-Turn Eterna Cartridge w/ Spring Check
19	016743-25	CWS Bonnet
20	009002-25NS	Packing Nut Assembly
21	001257-40NS	Bell Escutcheon
22	B-WH4H-NS	4" Wrist-Action Handle, Screw & Red Index
23	001193-19NS	Red Button Index, Press-in



Product Specifications:

8" Concealed Widespread EasyInstall Mixing Faucet, Quarter-Turn Eterna Cartridges w/ Spring Checks, Swivel/Rigid Gooseneck w/ 2.2 GPM Rosespray Outlet, Pop-Up Drain & 1/2" NPT Male Inlets

Product Compliance:

ASME A112.18.1 / CSA B125.1
NSF 61 - Section 9
NSF 372 (Low Lead Content)
ANSI A117.1 (ADA)