



T&S BRASS AND BRONZE WORKS, INC.

2 Saddleback Cove / P.O. Box 1088
Travelers Rest, SC 29690

Model No.

B-2866-QT-VF05

Item No.

Travelers Rest, SC: 800-476-4103 • Simi Valley, CA: 800-423-0150 • Fax: 864-834-3518 • www.tsbrass.com

This Space for Architect/Engineer Approval

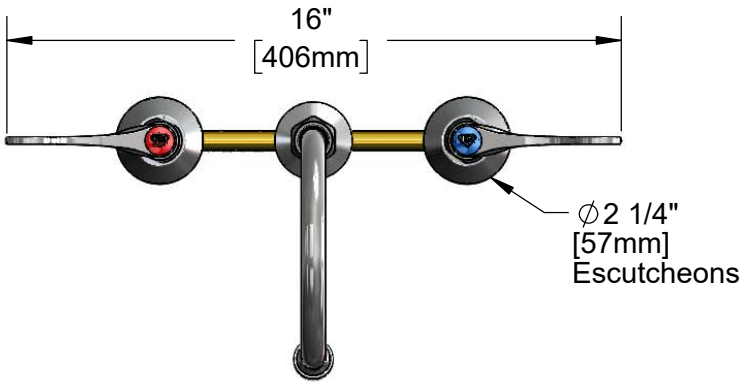
Job Name _____ Date _____

Model Specified _____ Quantity _____

Customer/Wholesaler _____

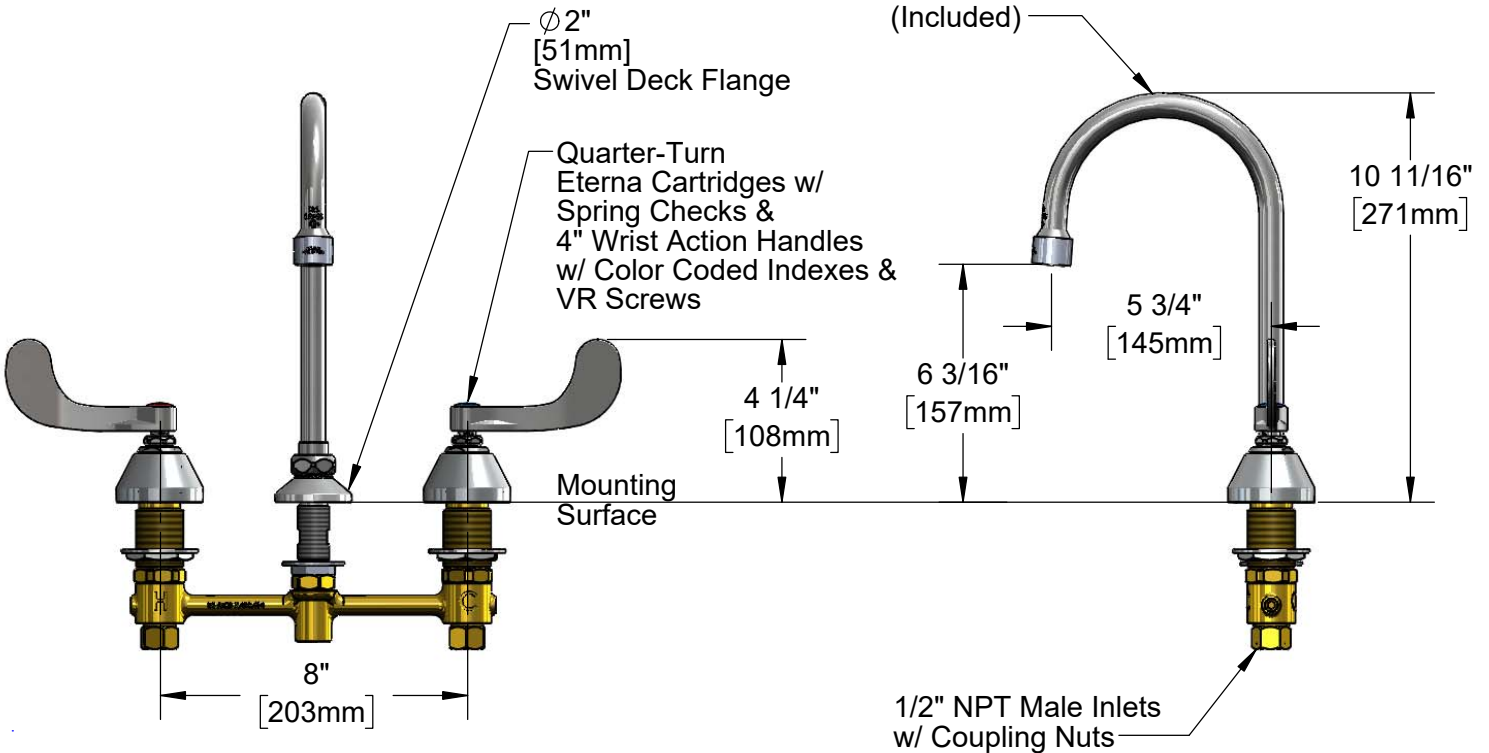
Contractor _____

Architect/Engineer _____



ADA Compliant

Swivel Gooseneck w/
B-0199-06-N05
VR 0.5 GPM Non-Aerated
Spray Device.
Rigid Conversion Requires
014200-45 Lock Washer
(Included)



Rough-In Requirement:
Center Shank: 1" [25mm] Mounting Holes
Hot/Cold Side: 1 1/2" [38mm] Mounting Holes

Product Specifications:

8" EasyInstall Concealed Widespread Mixing Faucet, 4" Wrist Action Handles, Quarter-Turn Eterna Cartridges w/ Spring Checks, Swivel Gooseneck w/ Vandal Resistant 0.5 GPM Non-Aerated Spray Device & 1/2" NPT Inlets

Product Compliance:

ASME A112.18.1 / CSA B125.1
NSF 61 - Section 9
NSF 372 (Low Lead Content)
ANSI A117.1 (ADA)



T&S BRASS AND BRONZE WORKS, INC.

2 Saddleback Cove / P.O. Box 1088
Travelers Rest, SC 29690

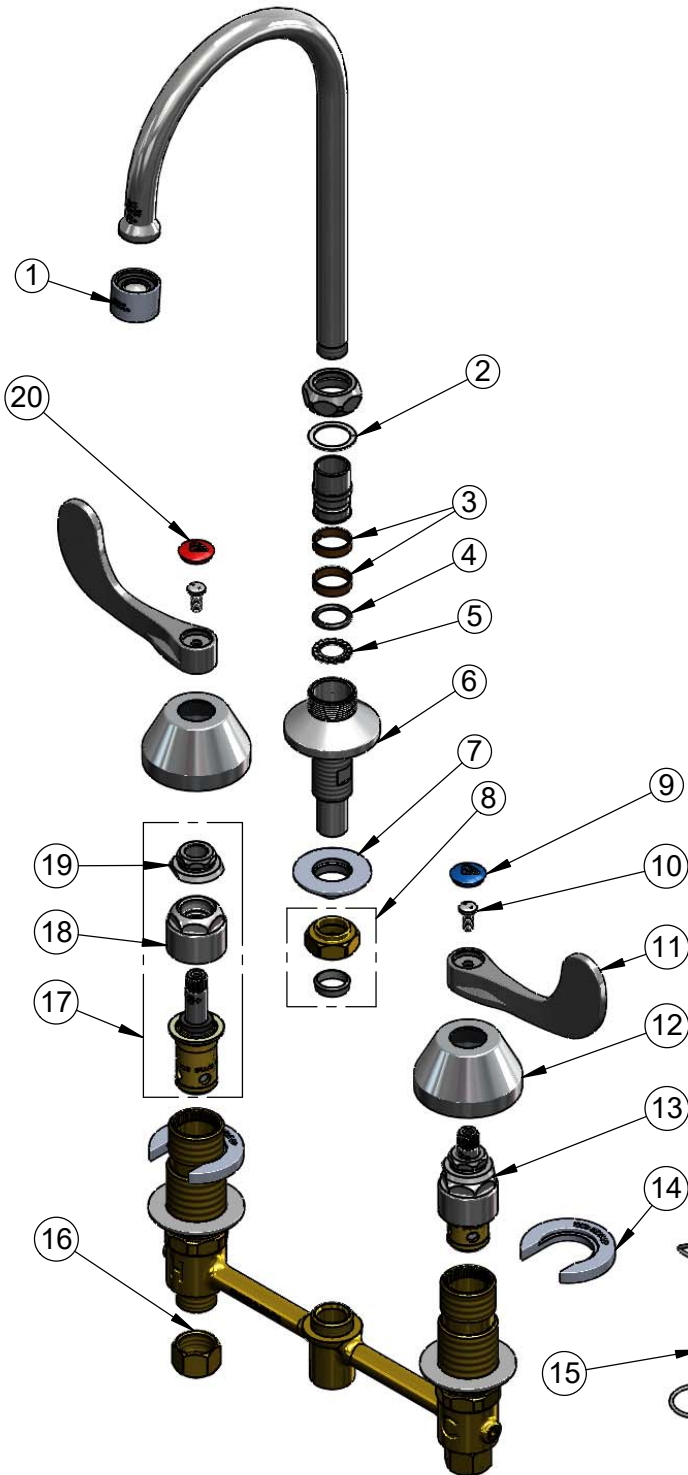
Model No.

B-2866-QT-VF05

Item No.

Travelers Rest, SC: 800-476-4103 • Simi Valley, CA: 800-423-0150 • Fax: 864-834-3518 • www.tsbrass.com

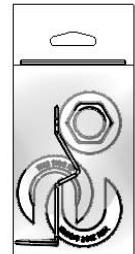
ITEM NO.	SALES NO.	DESCRIPTION
1	B-0199-06-N05	0.5 GPM VR Non-Aerated Spray Device, 55/64-27 Female
2	009538-45	Swivel Washer
3	011429-45	Swivel Sleeves (2)
4	001074-45	O-Ring
5	014200-45	Star Washer, Anti-Rotation
6	016754-40NS	EasyInstall CWS Swivel Center (New Style)
7	016742-45	Center Flange Nut
8	016745-45	Compression Nut & Fitting
9	018506-19NS	Blue Button Index, Press-in
10	VRS-2	VR Wrist Action Handle Screw (2) w/ Spanner Bit
11	B-WH4-NS	Wrist Action Handle - New Style
12	001257-40NS	Bell Escutcheon
13	016752-40NS	EasyInstall, CWS Quarter-Turn Eterna Cartridge w/ Spring Check, LTC
14	016749-45	Sidebody C-Washer
15	016777-45	CWS Hanger
16	000958-20	Coupling Nut
17	016753-40NS	EasyInstall, CWS Quarter-Turn Eterna Cartridge w/ Spring Check, RTC
18	016743-25	CWS Eterna Bonnet
19	009002-40NS	Packing Assembly (New Style)
20	001193-19NS	Red Button Index, Press-in



015425-45
Vandal Resistant Key



014075-45
#10 Spanner Bit



017245-40
Installation Repair Kit
Includes #7, (2)#14, #15

Product Specifications:

8" EasyInstall Concealed Widespread Mixing Faucet, 4" Wrist Action Handles, Quarter-Turn Eterna Cartridges w/ Spring Checks, Swivel Gooseneck w/ Vandal Resistant 0.5 GPM Non-Aerated Spray Device & 1/2" NPT Inlets

Product Compliance:

ASME A112.18.1 / CSA B125.1
NSF 61 - Section 9
NSF 372 (Low Lead Content)
ANSI A117.1 (ADA)