



# T&S BRASS AND BRONZE WORKS, INC.

2 Saddleback Cove / P.O. Box 1088  
Travelers Rest, SC 29690

Model No.

**B-2866-05VRS**

Item No.

Travelers Rest, SC: 800-476-4103 • Simi Valley, CA: 800-423-0150 • Fax: 864-834-3518 • www.tsbrass.com



**ADA Compliant**

This Space for Architect/Engineer Approval

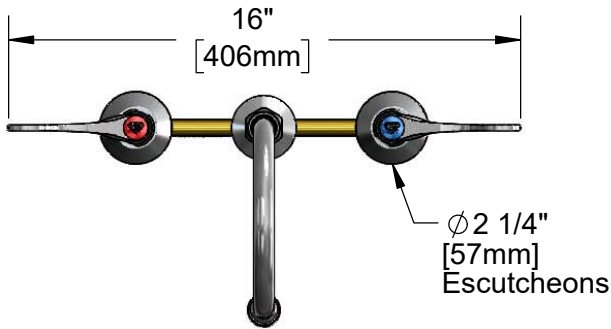
Job Name \_\_\_\_\_ Date \_\_\_\_\_

Model Specified \_\_\_\_\_ Quantity \_\_\_\_\_

Customer/Wholesaler \_\_\_\_\_

Contractor \_\_\_\_\_

Architect/Engineer \_\_\_\_\_

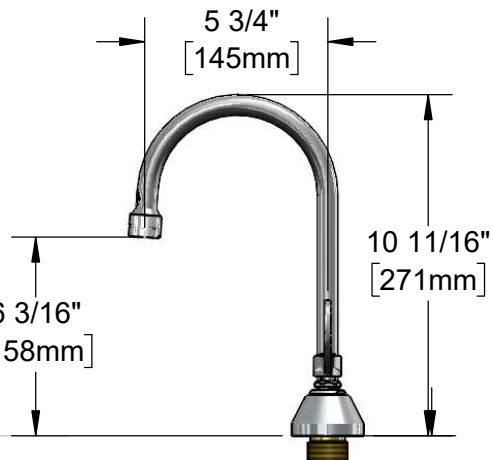
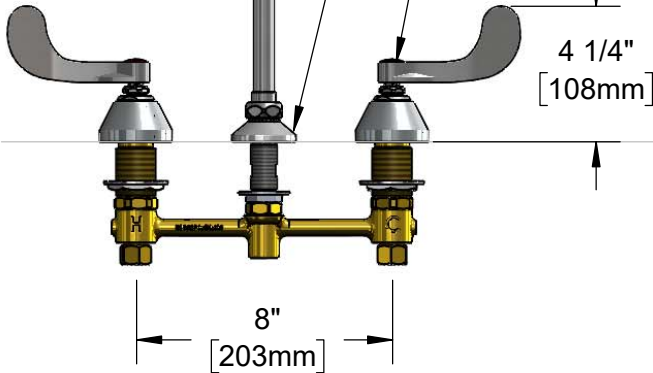


133X-V22  
Swivel Gooseneck w/  
2.2 GPM VR Aerator.  
Rigid Conversion Requires  
014200-45 Lock Washer  
(Included)

Ø 2" [51mm]  
Swivel Deck  
Flange

Quarter-Turn  
Eterna Cartridges w/  
Spring Checks &  
4" Wrist Action Handles w/  
Color Coded Indexes  
& VR Screws

4 1/4"  
[108mm]



Mounting Surface

1/2" NPT Male Inlets  
w/ Coupling Nuts

1 1/4"  
[31mm]  
Maximum  
Thickness

**Rough-In Requirement:**  
Ø 1" [25mm] for Center Shank  
Ø 1 1/2" [38mm] for Hot/Cold Side

**Product Specifications:**  
8" Deck Mount EasyInstall Mixing Faucet, Quarter-Turn Eterna Cartridges w/  
Spring Checks, 4" Wrist Action Handles, 5 3/4" Swivel/Rigid Gooseneck w/  
2.2 GPM VR Aerator, VR Screws & 1/2" NPT Male Inlets

**Product Compliance:**  
ASME A112.18.1 / CSA B125.1  
NSF 61 - Section 9  
NSF 372 (Low Lead Content)  
ANSI A117.1 (ADA)



# T&S BRASS AND BRONZE WORKS, INC.

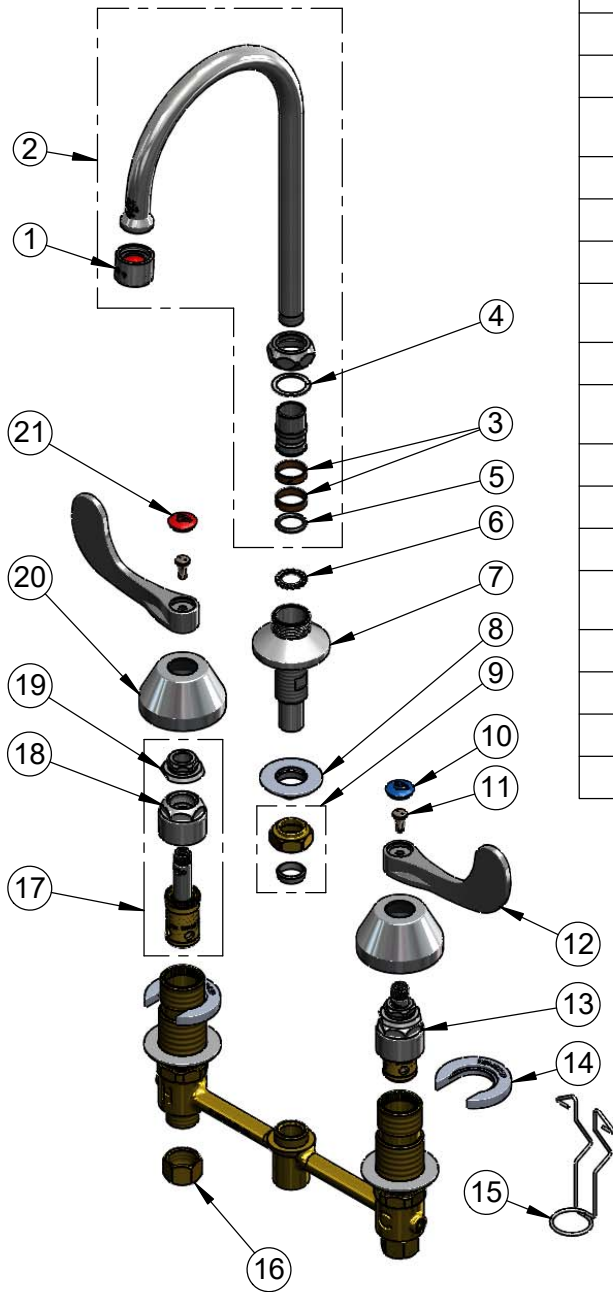
2 Saddleback Cove / P.O. Box 1088  
Travelers Rest, SC 29690

Model No.

**B-2866-05VRS**

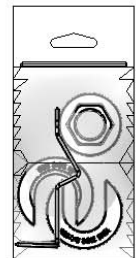
Item No.

Travelers Rest, SC: 800-476-4103 • Simi Valley, CA: 800-423-0150 • Fax: 864-834-3518 • www.tsbrass.com



ITEM NO.	SALES NO.	DESCRIPTION
1	B-0199-06	VR 2.2 GPM Aerator, 55/64-27 UN Female w/ Key
2	133X-V22	5 3/4" Swivel Gooseneck
3	011429-45	Swivel Sleeves (2)
4	009538-45	Swivel Washer
5	001074-45	O-Ring
6	014200-45	Star Washer, Anti-Rotation
7	016754-40NS	EasyInstall CWS Swivel Center (New Style)
8	016742-45	Center Flange Nut
9	016745-45	Compression Nut & Fitting
10	018506-19NS	Blue Button Index, Press-in
11	VRS-2	VR Wrist Action Handle Screw (2) w/ Spanner Bit
12	B-WH4-NS	Wrist Action Handle - New Style
13	016752-40NS	EasyInstall, CWS Quarter-Turn Eterna Cartridge w/ Spring Check, LTC
14	016749-45	Sidebody C-Washer
15	016777-45	CWS Hanger
16	000958-20	Coupling Nut
17	016753-40NS	EasyInstall, CWS Quarter-Turn Eterna Cartridge w/ Spring Check, RTC
18	016743-25	CWS Bonnet
19	009002-40NS	Packing Assembly (New Style)
20	001257-40NS	Bell Escutcheon
21	001193-19NS	Red Button Index, Press-in

014075-45  
#10 Spanner Bit



015425-45  
Vandal Resistant Key

017245-40  
Installation Repair Kit  
Includes #8, (2)#14, #15

**Product Specifications:**

8" Deck Mount EasyInstall Mixing Faucet, Quarter-Turn Eterna Cartridges w/ Spring Checks, 4" Wrist Action Handles, 5 3/4" Swivel/Rigid Gooseneck w/ 2.2 GPM VR Aerator, VR Screws & 1/2" NPT Male Inlets

**Product Compliance:**

ASME A112.18.1 / CSA B125.1  
NSF 61 - Section 9  
NSF 372 (Low Lead Content)  
ANSI A117.1 (ADA)