



T&S BRASS AND BRONZE WORKS, INC.

2 Saddleback Cove / P.O. Box 1088
Travelers Rest, SC 29690

Model No.

B-2866-05-LF12

Item No.

Travelers Rest, SC: 800-476-4103 • Simi Valley, CA: 800-423-0150 • Fax: 864-834-3518 • www.tsbrass.com



ADA Compliant

This Space for Architect/Engineer Approval

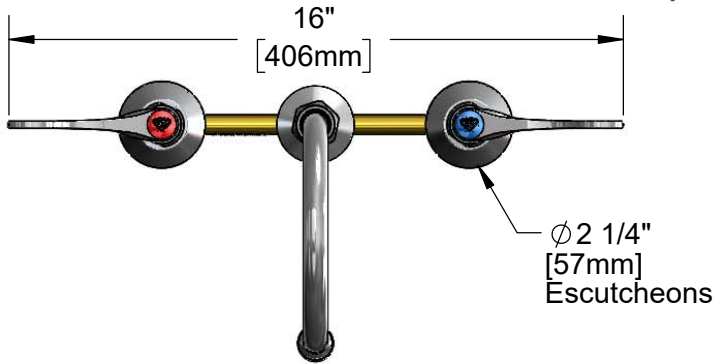
Job Name _____ Date _____

Model Specified _____ Quantity _____

Customer/Wholesaler _____

Contractor _____

Architect/Engineer _____



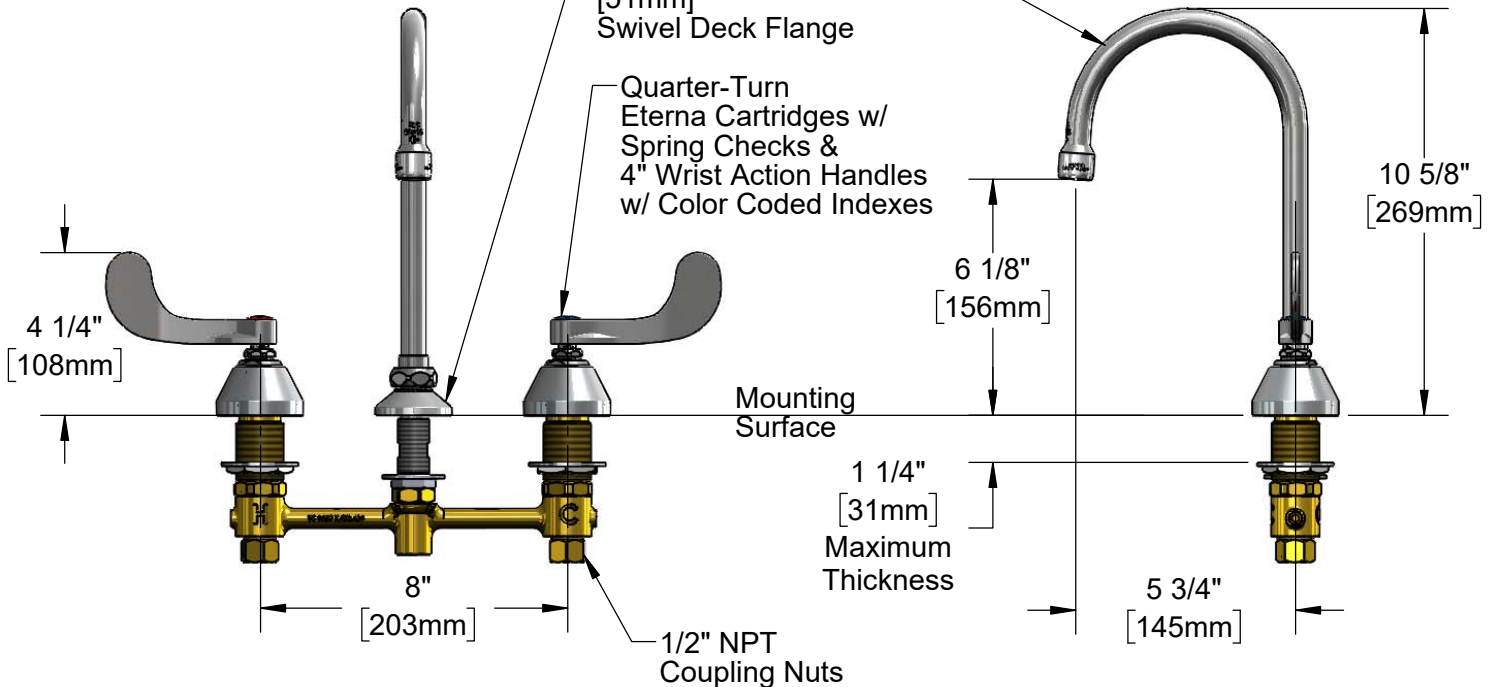
Ø 2 1/4"
[57mm]
Escutcheons

133X-L12
Swivel Gooseneck w/
1.2 GPM Laminar Flow Device.
Rigid Conversion Requires
014200-45 Lock Washer
(Included)



Ø 2"
[51mm]
Swivel Deck Flange

Quarter-Turn
Eterna Cartridges w/
Spring Checks &
4" Wrist Action Handles
w/ Color Coded Indexes



Rough-In Requirement:
Ø 1" [25mm] for Center Shank
Ø 1 1/2" [38mm] for Hot/Cold Side

Product Specifications:
EasyInstall 8" Concealed Widespread Mixing Faucet, 4" Wrist Action
Handles, Quarter-Turn Eterna Cartridges w/ Spring Checks & 5 3/4" Swivel
Gooseneck w/ 1.2 GPM Laminar Flow Device

Product Compliance:
ASME A112.18.1 / CSA B125.1
NSF 61 - Section 9
NSF 372 (Low Lead Content)
ANSI A117.1 (ADA)



T&S BRASS AND BRONZE WORKS, INC.

2 Saddleback Cove / P.O. Box 1088
Travelers Rest, SC 29690

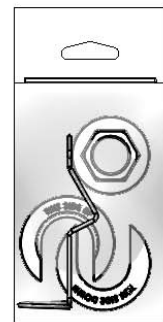
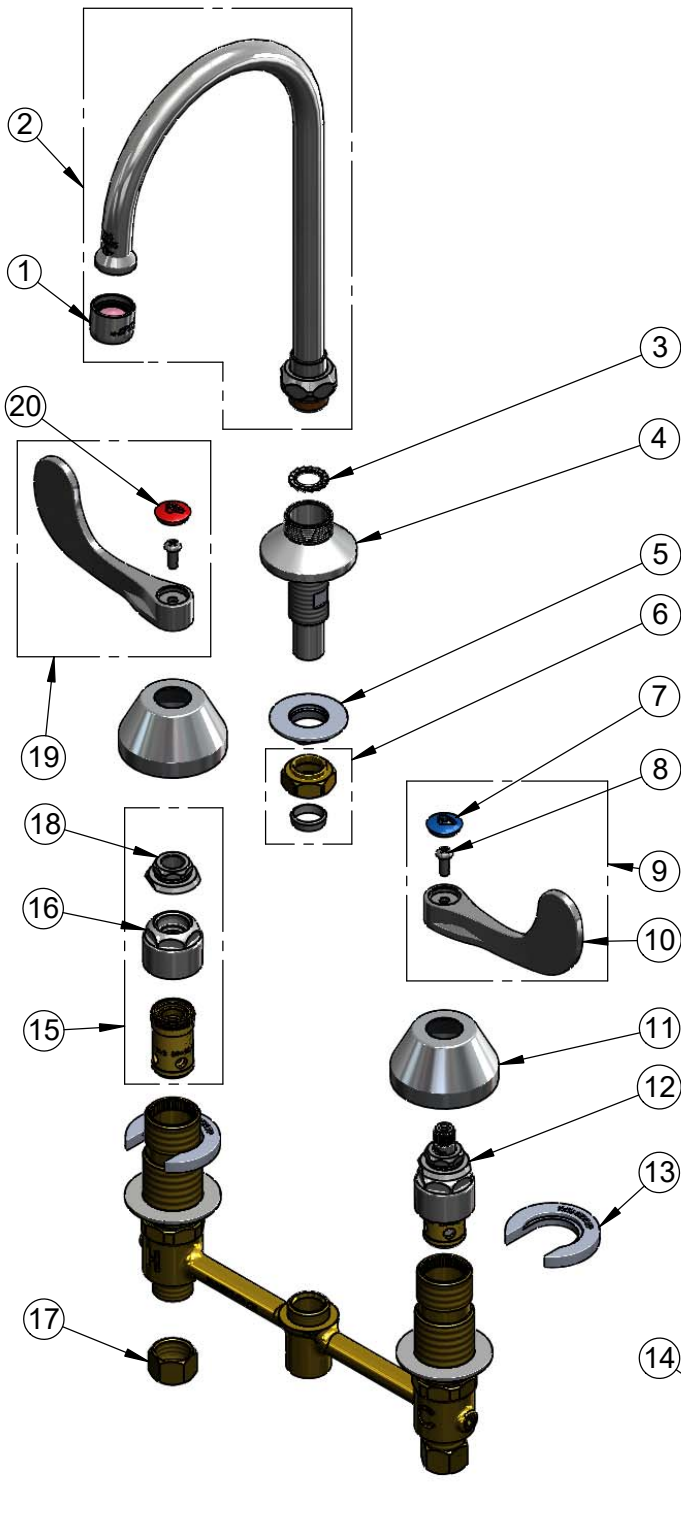
Model No.

B-2866-05-LF12

Item No.

Travelers Rest, SC: 800-476-4103 • Simi Valley, CA: 800-423-0150 • Fax: 864-834-3518 • www.tsbrass.com

| ITEM NO. | SALES NO. | DESCRIPTION |
|----------|----------------|---------------------------------------------------------------------|
| 1 | B-0199-01-LF12 | 1.2 GPM Laminar Flow Device w/ 55/64-27 UN Female |
| 2 | 133X-L12 | 5 3/4" Swivel Gooseneck w/ 1.2 GPM Laminar Flow Device |
| 3 | 014200-45 | Star Washer, Anti-Rotation |
| 4 | 016754-40NS | EasyInstall CWS Swivel Center (New Style) |
| 5 | 016742-45 | Center Flange Nut |
| 6 | 016745-45 | Compression Nut & Fitting |
| 7 | 018506-19NS | Blue Button Index, Press-in |
| 8 | 000925-45 | Lab Handle Screw |
| 9 | B-WH4C-NS | Wrist Action Handle, Blue Index & Screw |
| 10 | B-WH4-NS | Wrist Action Handle - New Style |
| 11 | 001257-40NS | Bell Escutcheon |
| 12 | 016752-40NS | EasyInstall, CWS Quarter-Turn Eterna Cartridge w/ Spring Check, LTC |
| 13 | 016749-45 | Sidebody C-Washer |
| 14 | 016777-45 | CWS Hanger |
| 15 | 016753-40NS | EasyInstall, CWS Quarter-Turn Eterna Cartridge w/ Spring Check, RTC |
| 16 | 016743-25 | CWS Eterna Bonnet |
| 17 | 000958-20 | Coupling Nut |
| 18 | 009002-40NS | Packing Assembly (New Style) |
| 19 | B-WH4H-NS | Wrist Action Handle, Red Index & Screw |
| 20 | 001193-19NS | Red Button Index, Press-in |



017245-40
Installation Repair Kit
Includes #5, (2)#13, #14

Product Specifications:

EasyInstall 8" Concealed Widespread Mixing Faucet, 4" Wrist Action Handles, Quarter-Turn Eterna Cartridges w/ Spring Checks & 5 3/4" Swivel Gooseneck w/ 1.2 GPM Laminar Flow Device

Product Compliance:

ASME A112.18.1 / CSA B125.1
NSF 61 - Section 9
NSF 372 (Low Lead Content)
ANSI A117.1 (ADA)