



T&S BRASS AND BRONZE WORKS, INC.
 2 Saddleback Cove / P.O. Box 1088
 Travelers Rest, SC 29690

Model No.

B-2866-04LN

Item No.

Travelers Rest, SC: 800-476-4103 • Simi Valley, CA: 800-423-0150 • Fax: 864-834-3518 • www.tsbrass.com



ADA Compliant

This Space for Architect/Engineer Approval

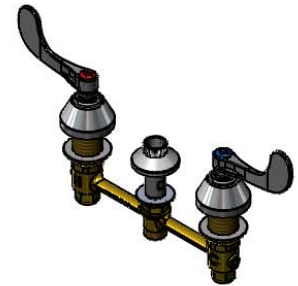
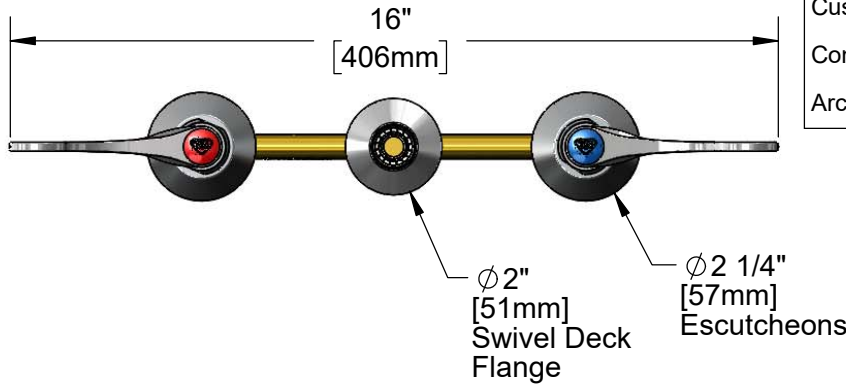
Job Name _____ Date _____

Model Specified _____ Quantity _____

Customer/Wholesaler _____

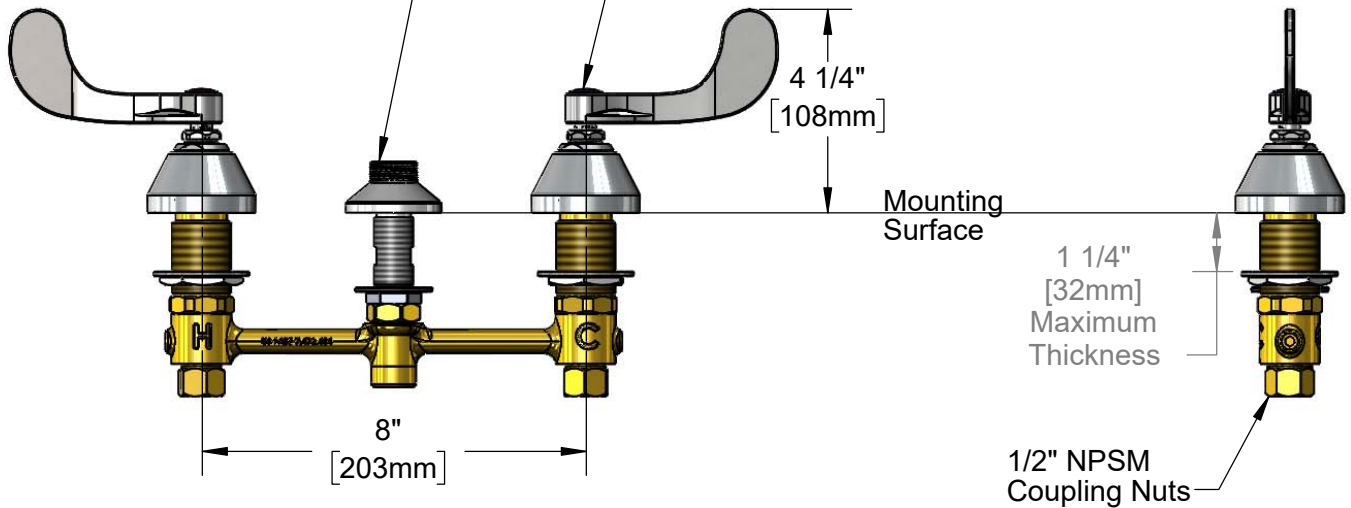
Contractor _____

Architect/Engineer _____



Swivel Outlet Accepts Standard T&S Swing Nozzles (Optional Swivel/Rigid Washer Included)

Quarter-Turn Eterna Cartridges w/ Spring Checks & 4" Wrist Action Handles w/ Color Coded Indexes



Rough-In Requirement:
 $\phi 1'' [25mm]$ for Center Shank
 $\phi 1 1/2'' [38mm]$ for Hot/Cold Side

Product Specifications:
 8" Concealed Widespread Mixing Faucet, Quarter-Turn Eterna Cartridges w/ Spring Checks, 4" Wrist Action Handles and 1/2" NPT Male Inlets, Less Nozzle

Product Compliance:
 ASME A112.18.1 / CSA B125.1
 NSF 61 - Section 9
 NSF 372 (Low Lead Content)
 ANSI A117.1 (ADA)



T&S BRASS AND BRONZE WORKS, INC.

2 Saddleback Cove / P.O. Box 1088
Travelers Rest, SC 29690

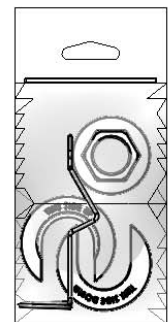
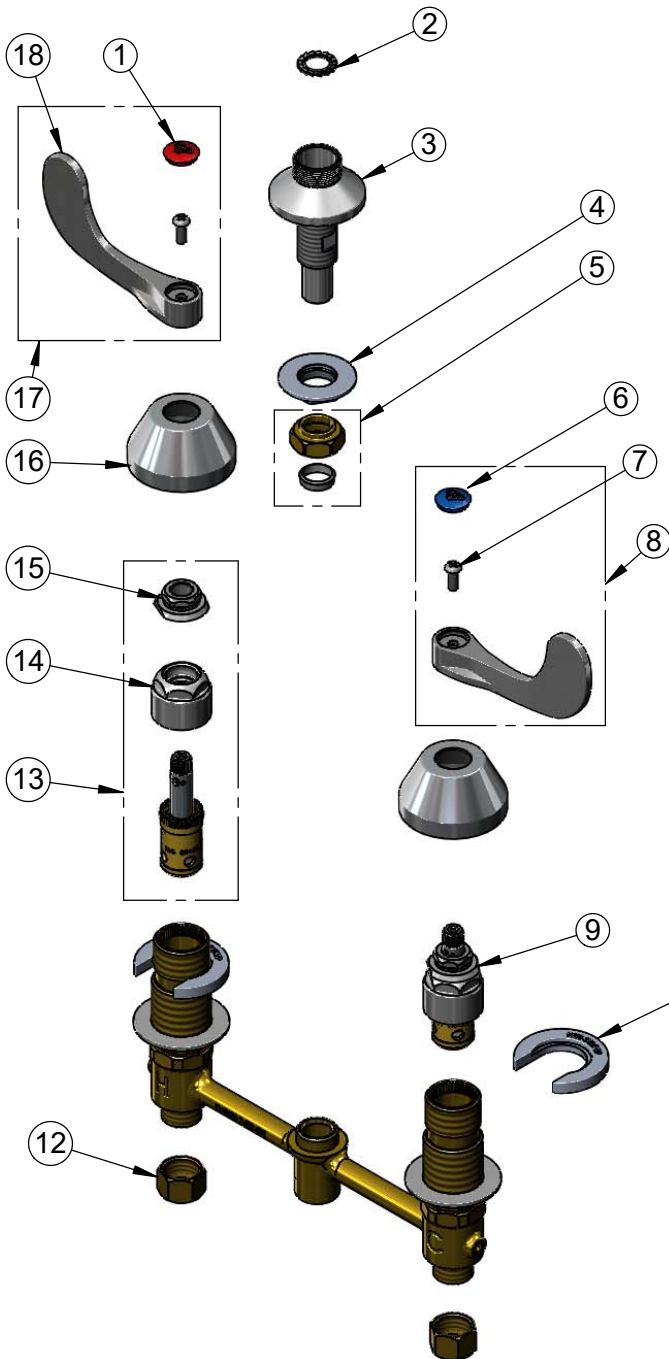
Model No.

B-2866-04LN

Item No.

Travelers Rest, SC: 800-476-4103 • Simi Valley, CA: 800-423-0150 • Fax: 864-834-3518 • www.tsbrass.com

| ITEM NO. | SALES NO. | DESCRIPTION |
|----------|-------------|---|
| 1 | 001193-19NS | Red Button Index, Press-in |
| 2 | 014200-45 | Star Washer, Anti-Rotation |
| 3 | 016754-40NS | EasyInstall CWS Swivel Center (New Style) |
| 4 | 016742-45 | Center Flange Nut |
| 5 | 016745-45 | Compression Nut & Fitting |
| 6 | 018506-19NS | Blue Button Index, Press-in |
| 7 | 000925-45 | Lab Handle Screw |
| 8 | B-WH4C-NS | Wrist Action Handle, Blue Index & Screw |
| 9 | 016752-40NS | EasyInstall, CWS Quarter-Turn Eterna Cartridge w/ Spring Check, LTC |
| 10 | 016749-45 | Sidebody C-Washer |
| 11 | 016777-45 | CWS Hanger |
| 12 | 000958-20 | Coupling Nut |
| 13 | 016753-40NS | EasyInstall, CWS Quarter-Turn Eterna Cartridge w/ Spring Check, RTC |
| 14 | 016743-25 | CWS Bonnet |
| 15 | 009002-40NS | Packing Assembly (New Style) |
| 16 | 001257-40NS | Bell Escutcheon |
| 17 | B-WH4H-NS | Wrist Action Handle, Red Index & Screw |
| 18 | B-WH4-NS | Wrist Action Handle (New Style) |



017245-40
Installation Repair Kit
Includes #4, (2)#10, & #11

Product Specifications:
8" Concealed Widespread Mixing Faucet, Quarter-Turn Eterna Cartridges w/ Spring Checks, 4" Wrist Action Handles and 1/2" NPT Male Inlets, Less Nozzle

Product Compliance:
ASME A112.18.1 / CSA B125.1
NSF 61 - Section 9
NSF 372 (Low Lead Content)
ANSI A117.1 (ADA)