



# T&S BRASS AND BRONZE WORKS, INC.

2 Saddleback Cove / P.O. Box 1088  
Travelers Rest, SC 29690

Model No.

**B-2866-04-01QT**

Item No.

Travelers Rest, SC: 800-476-4103 • Simi Valley, CA: 800-423-0150 • Fax: 864-834-3518 • www.tsbrass.com

This Space for Architect/Engineer Approval

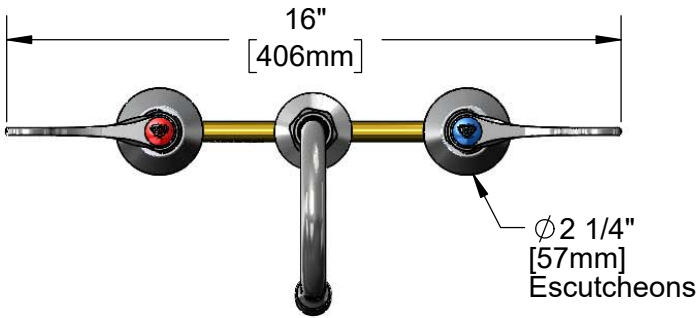
Job Name \_\_\_\_\_ Date \_\_\_\_\_

Model Specified \_\_\_\_\_ Quantity \_\_\_\_\_

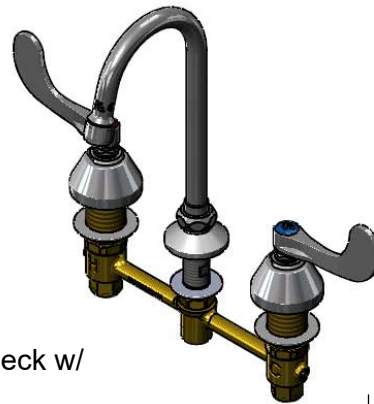
Customer/Wholesaler \_\_\_\_\_

Contractor \_\_\_\_\_

Architect/Engineer \_\_\_\_\_



**ADA Compliant**



179X-A22  
4 3/8" Swivel Gooseneck w/  
2.2 GPM Aerator.  
Rigid Conversion Requires  
014200-45 Lock Washer  
(Included)

Ø 2"  
[51mm]  
Swivel Deck  
Flange

Quarter-Turn  
Eterna Cartridges w/  
Spring Checks  
& 4" Wrist Action Handles  
w/ Color Coded Indexes

4 1/4"  
[108mm]

Mounting  
Surface

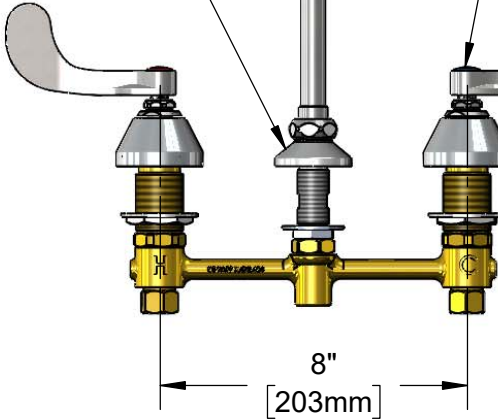
9 11/16"  
[245mm]

6 1/16"  
[154mm]

4 3/8"  
[111mm]

1 1/4"  
[31mm]  
Maximum  
Thickness

1/2" NPSM  
Coupling Nuts



### Rough-In Requirement:

Ø 1" [25mm] for Center Shank

Ø 1 1/2" [38mm] for Hot/Cold Side

### Product Specifications:

8" Concealed Widespread EasyInstall Mixing Faucet, Quarter-Turn Eterna Cartridges w/ Spring Checks, 4" Wrist Action Handles, 4 3/8" Swivel/Rigid Gooseneck w/ 2.2 GPM Aerator and 1/2" NPT Male Inlets

### Product Compliance:

ASME A112.18.1 / CSA B125.1  
NSF 61 - Section 9  
NSF 372 (Low Lead Content)  
ANSI A117.1 (ADA)

Drawn: MRC

Checked: JRM

Approved: JHB

Date: 02/18/19

Scale: 1:5

Sheet: 1 of 2



# T&S BRASS AND BRONZE WORKS, INC.

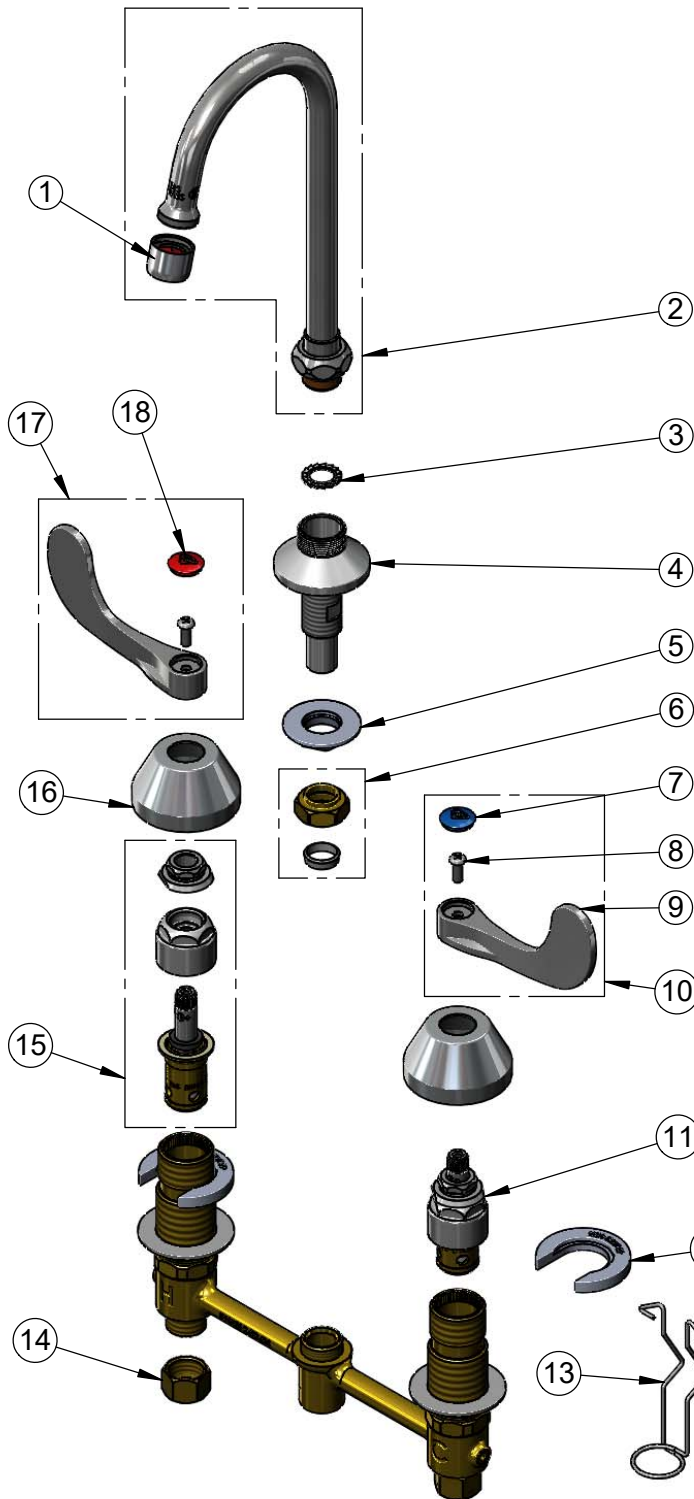
2 Saddleback Cove / P.O. Box 1088  
Travelers Rest, SC 29690

Model No.

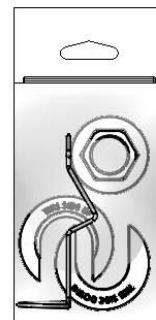
**B-2866-04-01QT**

Item No.

Travelers Rest, SC: 800-476-4103 • Simi Valley, CA: 800-423-0150 • Fax: 864-834-3518 • www.tsbrass.com



| ITEM NO. | SALES NO.   | DESCRIPTION   |
|----------|-------------|---|
| 1        | B-0199-01   | 2.2 GPM Aerator, 55/64-27 UN Female                                 |
| 2        | 179X-A22    | 4 3/8" Swivel Gooseneck w/ 2.2 GPM Aerator                          |
| 3        | 014200-45   | Star Washer, Anti-Rotation  |
| 4        | 016754-40NS | EasyInstall CWS Swivel Center (New Style)                           |
| 5        | 016742-45   | Center Flange Nut   |
| 6        | 016745-45   | Compression Nut & Fitting   |
| 7        | 018506-19NS | Blue Button Index, Press-in   |
| 8        | 000925-45   | Lab Handle Screw  |
| 9        | B-WH4-NS    | Wrist Action Handle (New Style)                                     |
| 10       | B-WH4C-NS   | Wrist Action Handle, Blue Index & Screw                             |
| 11       | 016752-40NS | EasyInstall, CWS Quarter-Turn Eterna Cartridge w/ Spring Check, LTC |
| 12       | 016749-45   | Sidebody C-Washer   |
| 13       | 016777-45   | CWS Hanger  |
| 14       | 000958-20   | Coupling Nut  |
| 15       | 016753-40NS | EasyInstall, CWS Quarter-Turn Eterna Cartridge w/ Spring Check, RTC |
| 16       | 001257-40NS | Bell Escutcheon   |
| 17       | B-WH4H-NS   | Wrist Action Handle, Red Index & Screw                              |
| 18       | 001193-19NS | Red Button Index, Press-in  |



017245-40  
Installation Repair Kit  
Includes #5, (2)#12, & #13

**Product Specifications:**

8" Concealed Widespread EasyInstall Mixing Faucet, Quarter-Turn Eterna Cartridges w/ Spring Checks, 4" Wrist Action Handles, 4 3/8" Swivel/Rigid Gooseneck w/ 2.2 GPM Aerator and 1/2" NPT Male Inlets

**Product Compliance:**

ASME A112.18.1 / CSA B125.1  
NSF 61 - Section 9  
NSF 372 (Low Lead Content)  
ANSI A117.1 (ADA)