



T&S BRASS AND BRONZE WORKS, INC.

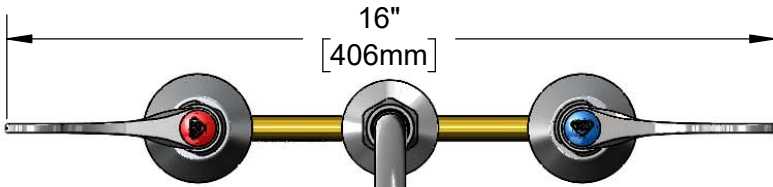
2 Saddleback Cove / P.O. Box 1088
Travelers Rest, SC 29690

Model No.

B-2866-01

Item No.

Travelers Rest, SC: 800-476-4103 • Simi Valley, CA: 800-423-0150 • Fax: 864-834-3518 • www.tsbrass.com



This Space for Architect/Engineer Approval

Job Name _____ Date _____

Model Specified _____ Quantity _____

Customer/Wholesaler _____

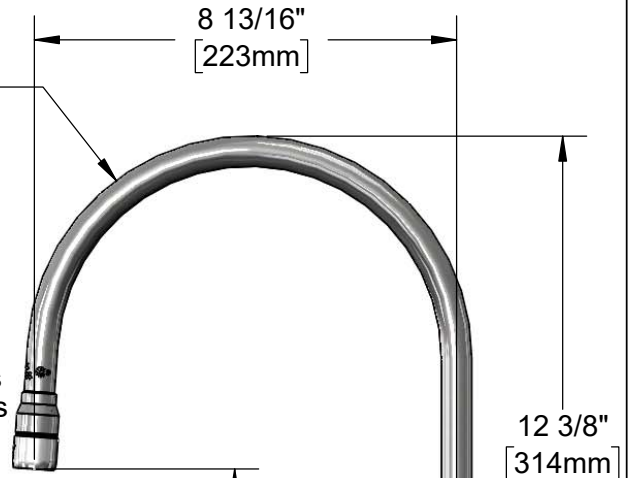
Contractor _____

Architect/Engineer _____

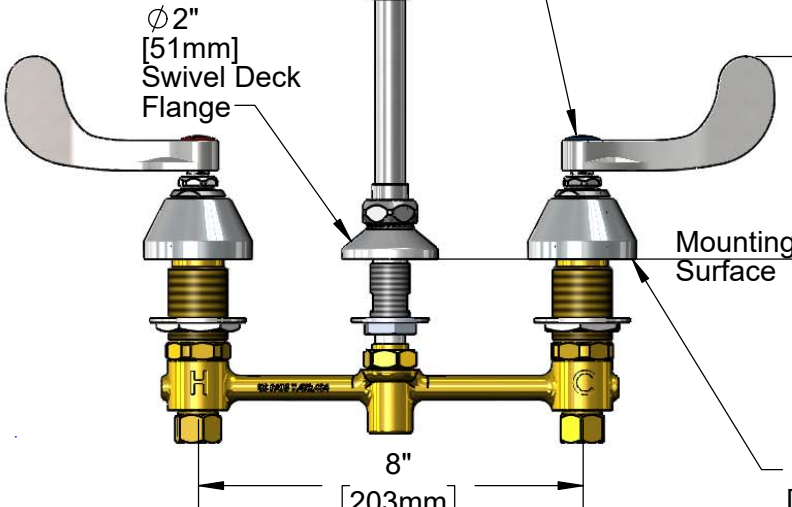


ADA Compliant

135X-A22
8 13/16" Swivel Gooseneck w/
2.2 GPM Aerator.
Rigid Conversion Requires
014200-45 Lock Washer
(Included)



Quarter-Turn
Eterna Cartridges w/
Spring Checks &
4" Wrist Action Handles
w/ Color Coded Indexes



Ø2" [51mm]
Swivel Deck
Flange

Mounting
Surface

4 1/4"
[107mm]

5 7/16"
[138mm]

1 1/4"
[31mm]
Maximum
Thickness

1/2" NPT
Male Inlets
Coupling Nuts

Ø2 1/4"
[57mm]
Escutcheons

Rough-In Requirement:
Center Shank: Ø1" [25mm] Mounting Hole
Hot/Cold Side: Ø1 1/2" [38mm] Mounting Holes

Product Specifications:

8" Concealed Widespread EasyInstall Mixing Faucet, Quarter-Turn Eterna Cartridges w/ Spring Checks, 4" Wrist Action Handles, 8 13/16" Swivel/Rigid Gooseneck, Stream Regulator Outlet & 1/2" NPSM Male Inlets

Product Compliance:

ASME A112.18.1 / CSA B125.1
NSF 61 - Section 9
NSF 372 (Low Lead Content)
ANSI A117.1 (ADA)



T&S BRASS AND BRONZE WORKS, INC.

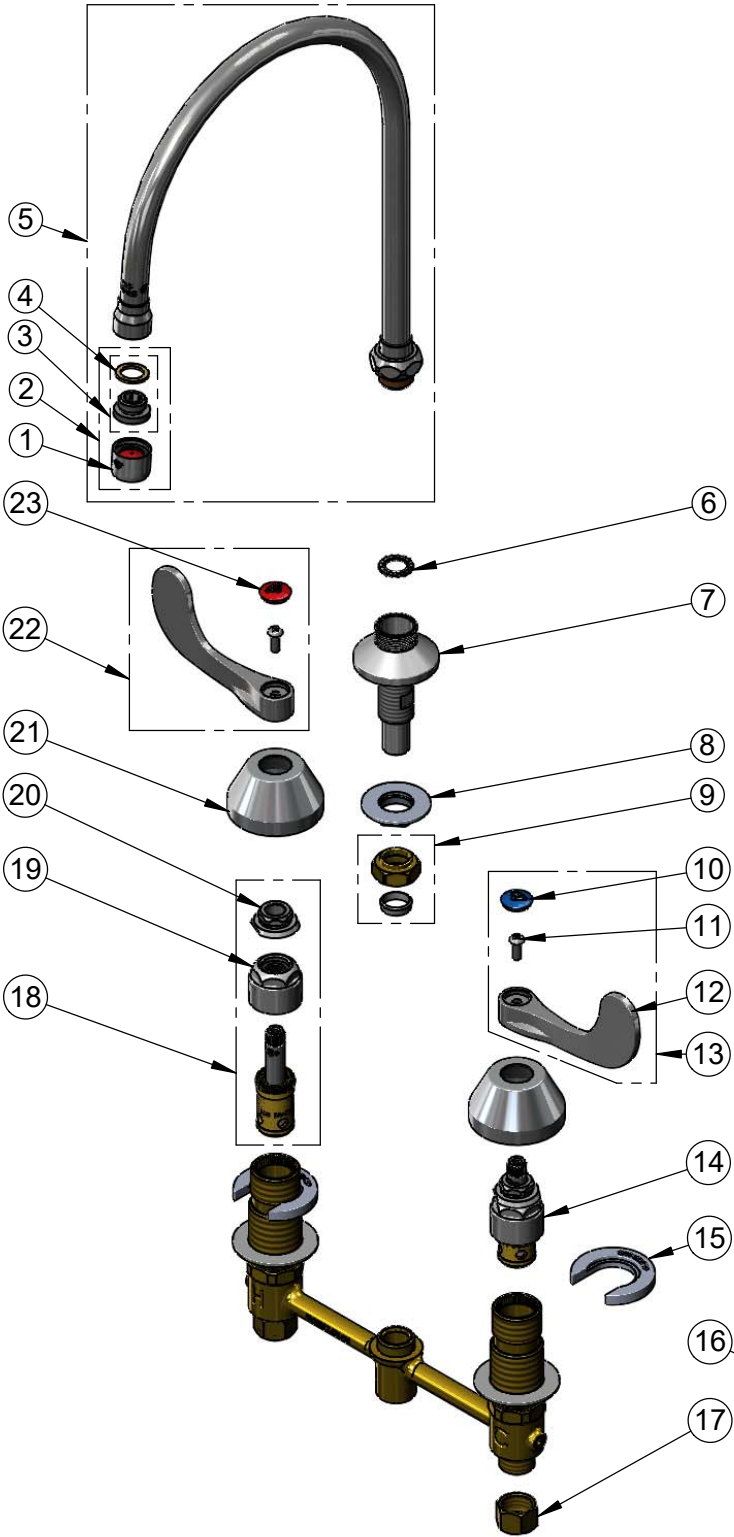
2 Saddleback Cove / P.O. Box 1088
Travelers Rest, SC 29690

Model No.

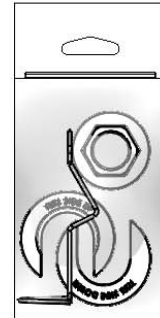
B-2866-01

Item No.

Travelers Rest, SC: 800-476-4103 • Simi Valley, CA: 800-423-0150 • Fax: 864-834-3518 • www.tsbrass.com



| ITEM NO. | SALES NO. | DESCRIPTION |
|----------|-------------|---|
| 1 | B-0199-01 | 2.2 GPM Aerator, 55/64-27 UN Female |
| 2 | B-0199-02 | 2.2 GPM Aerator, 3/8" NPSM Male |
| 3 | 044A | 3/8" to Aerator Adapter |
| 4 | 001043-45 | Washer |
| 5 | 135X-A22 | 8 13/16" Swivel Gooseneck w/ 2.2 GPM Aerator |
| 6 | 014200-45 | Star Washer, Anti-Rotation |
| 7 | 016754-40NS | EasyInstall CWS Swivel Center (New Style) |
| 8 | 016742-45 | Center Flange Nut |
| 9 | 016745-45 | Compression Nut & Fitting |
| 10 | 018506-19NS | Blue Button Index, Press-in |
| 11 | 000925-45 | Lab Handle Screw |
| 12 | B-WH4-NS | Wrist Action Handle (New Style) |
| 13 | B-WH4C-NS | Wrist Action Handle, Blue Index & Screw |
| 14 | 016752-40NS | EasyInstall, CWS Quarter-Turn Eterna Cartridge w/ Spring Check, LTC |
| 15 | 016749-45 | Sidebody C-Washer |
| 16 | 016777-45 | CWS Hanger |
| 17 | 000958-20 | Coupling Nut |
| 18 | 016753-40NS | EasyInstall, CWS Quarter-Turn Eterna Cartridge w/ Spring Check, RTC |
| 19 | 016743-25 | CWS Eterna Bonnet |
| 20 | 009002-40NS | Packing Nut (New Style) |
| 21 | 001257-40NS | Bell Escutcheon |
| 22 | B-WH4H-NS | Wrist Action Handle, Red Index & Screw |
| 23 | 001193-19NS | Red Button Index, Press-in |



017245-40
Installation Repair Kit
Includes #8, (2)#15, & #16

Product Specifications:
8" Concealed Widespread EasyInstall Mixing Faucet, Quarter-Turn Eterna Cartridges w/ Spring Checks, 4" Wrist Action Handles, 8 13/16" Swivel/Rigid Gooseneck, Stream Regulator Outlet & 1/2" NPSM Male Inlets

Product Compliance:
ASME A112.18.1 / CSA B125.1
NSF 61 - Section 9
NSF 372 (Low Lead Content)
ANSI A117.1 (ADA)