



T&S BRASS AND BRONZE WORKS, INC.

2 Saddleback Cove / P.O. Box 1088
Travelers Rest, SC 29690

Model No.

B-2865-04

Item No.

Travelers Rest, SC: 800-476-4103 • Simi Valley, CA: 800-423-0150 • Fax: 864-834-3518 • www.tsbrass.com



ADA Compliant

This Space for Architect/Engineer Approval

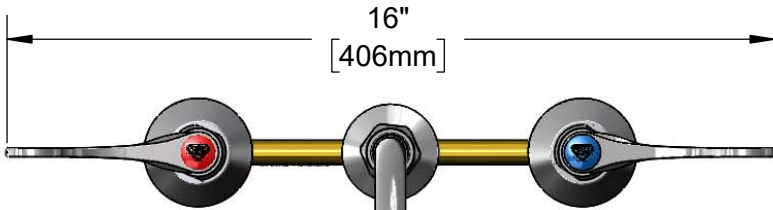
Job Name _____ Date _____

Model Specified _____ Quantity _____

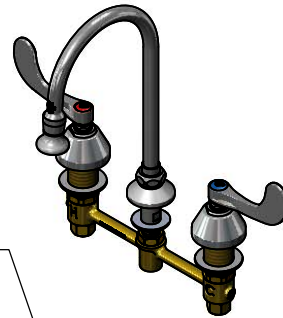
Customer/Wholesaler _____

Contractor _____

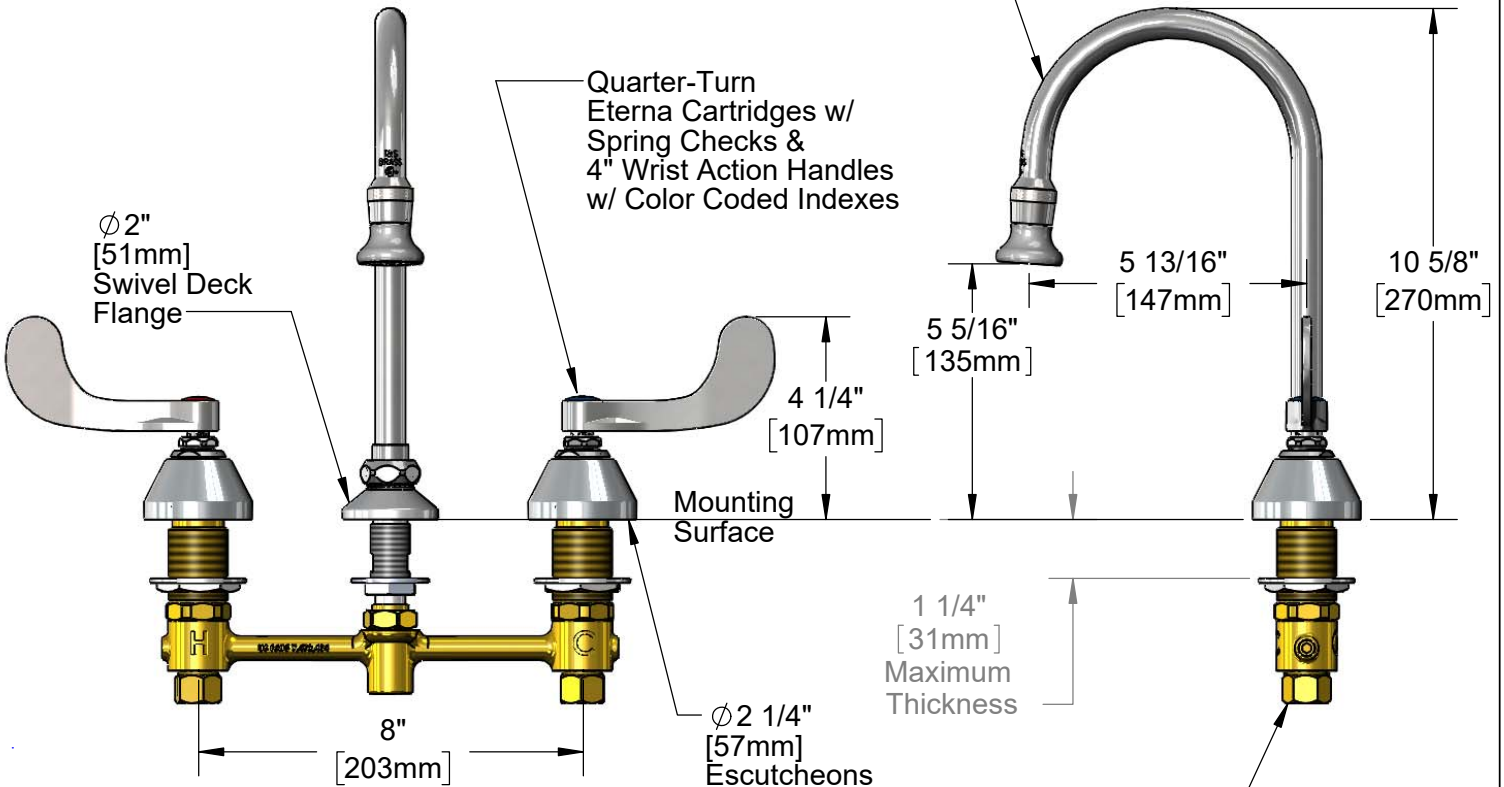
Architect/Engineer _____



Swivel Gooseneck w/
B-0103-01
2.2 GPM Rosespray Outlet.
Rigid Conversion Requires
014200-45 Lock Washer
(Included)



Quarter-Turn
Eterna Cartridges w/
Spring Checks &
4" Wrist Action Handles
w/ Color Coded Indexes



Rough-In Requirement:
Center Shank: ϕ 1" [25mm] Mounting Hole
Hot/Cold Side: ϕ 1 1/2" [38mm] Mounting Holes

Product Specifications:

8" Concealed Widespread EasyInstall Mixing Faucet, Quarter-Turn Eterna Cartridges, 4" Wrist Action Handles, Swivel/Rigid Gooseneck, 2.2 GPM Rosespray Outlet & 1/2" NPT Male Inlets

Product Compliance:

ASME A112.18.1 / CSA B125.1
NSF 61 - Section 9
NSF 372 (Low Lead Content)
ANSI A117.1 (ADA)



T&S BRASS AND BRONZE WORKS, INC.

2 Saddleback Cove / P.O. Box 1088
Travelers Rest, SC 29690

Model No.

B-2865-04

Item No.

Travelers Rest, SC: 800-476-4103 • Simi Valley, CA: 800-423-0150 • Fax: 864-834-3518 • www.tsbrass.com

ITEM NO.	SALES NO.	DESCRIPTION
1	B-0103	2.2 GPM Rosespray Outlet
2	B-0103-01	2.2 GPM Rosespray Outlet w/ Adapter
3	014200-45	Star Washer, Anti-Rotation
4	016754-40NS	EasyInstall CWS Swivel Center Shank (New Style)
5	016742-45	Center Flange Nut
6	016745-45	Compression Nut & Fitting
7	018506-19NS	Blue Button Index, Press-in
8	000925-45	Lab Handle Screw
9	B-WH4C-NS	Wrist Action Handle, Blue Index & Screw
10	016752-40NS	EasyInstall, CWS Quarter-Turn Eterna Cartridge w/ Spring Check, LTC
11	016749-45	Sidebody C-Washer
12	016777-45	CWS Hanger
13	000958-20	Coupling Nut
14	016753-40NS	EasyInstall, CWS Quarter-Turn Eterna Cartridge w/ Spring Check, RTC
15	016743-25	CWS Eterna Bonnet
16	009002-40NS	Packing Assembly (New Style)
17	001257-40NS	Bell Escutcheon
18	B-WH4H-NS	Wrist Action Handle, Red Index & Screw
19	B-WH4-NS	Wrist Action Handle (New Style)
20	001193-19NS	Red Button Index, Press-in

017245-40
Installation Repair Kit
Includes #5, (2)#11, & #12

Product Specifications:
8" Concealed Widespread EasyInstall Mixing Faucet, Quarter-Turn Eterna Cartridges, 4" Wrist Action Handles, Swivel/Rigid Gooseneck, 2.2 GPM Rosespray Outlet & 1/2" NPT Male Inlets

Product Compliance:
ASME A112.18.1 / CSA B125.1
NSF 61 - Section 9
NSF 372 (Low Lead Content)
ANSI A117.1 (ADA)