



T&S BRASS AND BRONZE WORKS, INC.

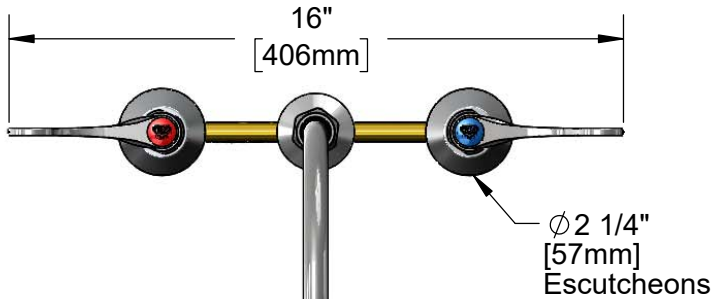
2 Saddleback Cove / P.O. Box 1088
Travelers Rest, SC 29690

Model No.

B-2862-VF22

Item No.

Travelers Rest, SC: 800-476-4103 • Simi Valley, CA: 800-423-0150 • Fax: 864-834-3518 • www.tsbrass.com



This Space for Architect/Engineer Approval

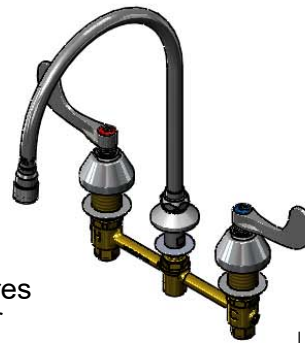
Job Name _____ Date _____

Model Specified _____ Quantity _____

Customer/Wholesaler _____

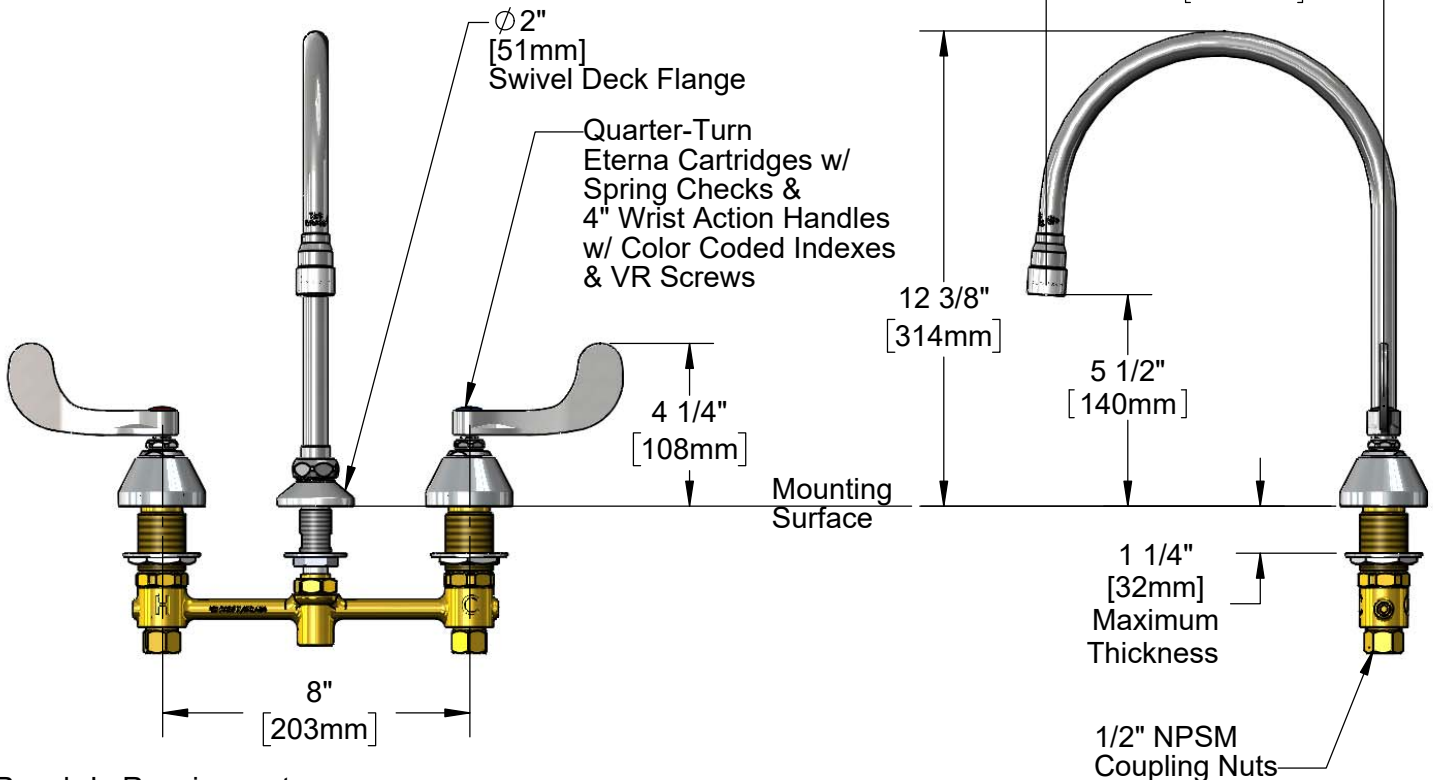
Contractor _____

Architect/Engineer _____



ADA Compliant

135X-V22 Swivel Gooseneck w/ 2.2 GPM VR Aerator. Rigid Conversion Requires 014200-45 Lock Washer (Included)



Rough-In Requirement:

- Ø 1" [25mm] for Center Shank
- Ø 1 1/2" [38mm] for Hot/Cold Side

Product Specifications:

8" Concealed Widespread EasyInstall Mixing Faucet, Wrist Action Handles, VR Screws, Quarter-Turn Eterna Cartridges w/ Spring Checks, Swivel/Rigid Gooseneck w/ 2.2 GPM VR Aerator and 1/2" NPT Male Inlets

Product Compliance:

ASME A112.18.1 / CSA B125.1
NSF 61 - Section 9
NSF 372 (Low Lead Content)
ANSI A117.1 (ADA)



T&S BRASS AND BRONZE WORKS, INC.

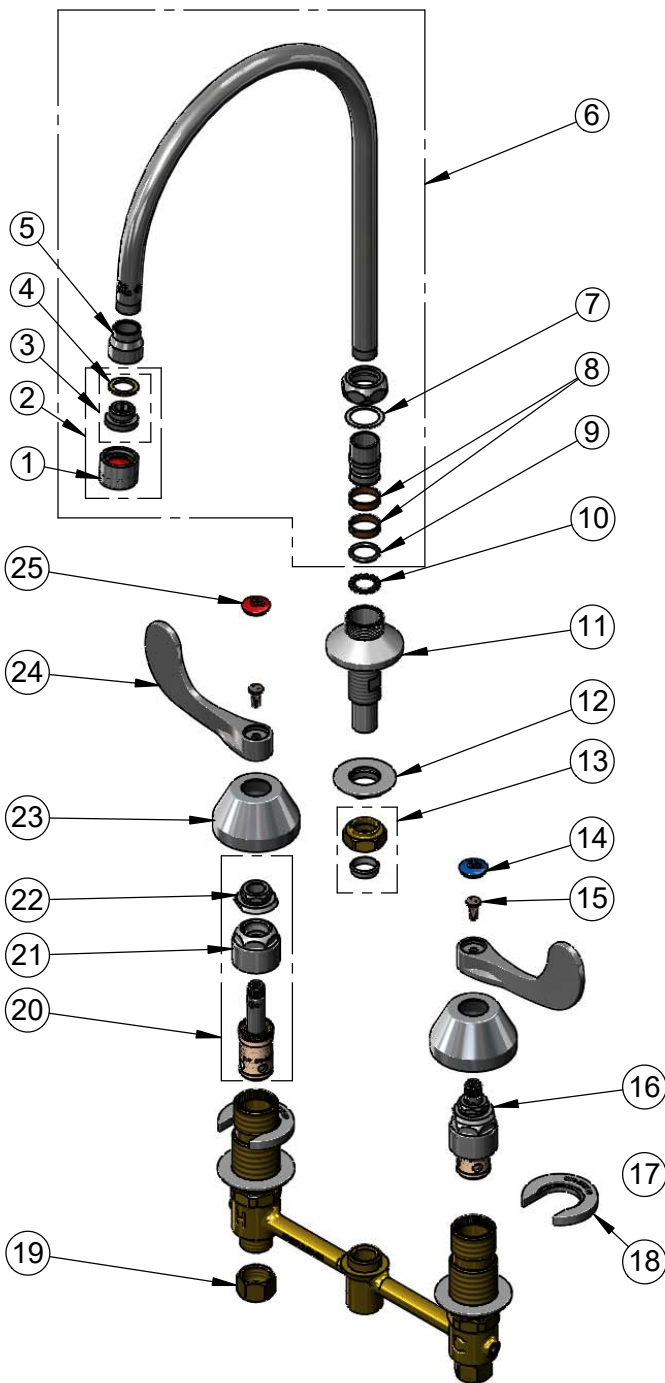
2 Saddleback Cove / P.O. Box 1088
Travelers Rest, SC 29690

Model No.

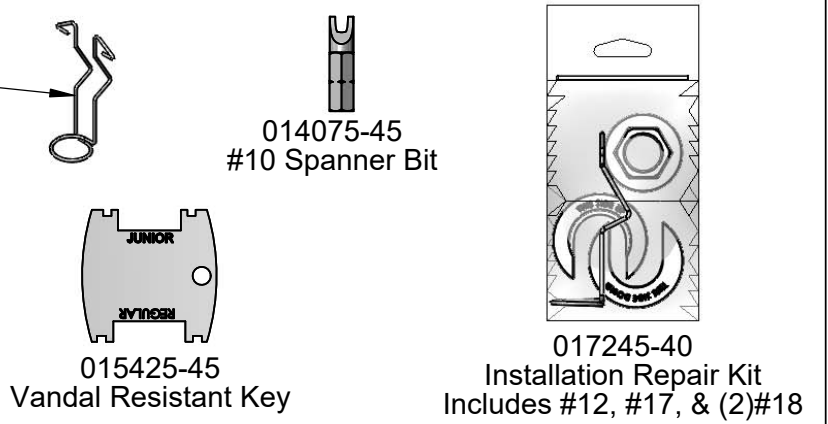
B-2862-VF22

Item No.

Travelers Rest, SC: 800-476-4103 • Simi Valley, CA: 800-423-0150 • Fax: 864-834-3518 • www.tsbrass.com



ITEM NO.	SALES NO.	DESCRIPTION
1	B-0199-06	VR 2.2 GPM Aerator, 55/64-27 UN Female
2	B-0199-07	VR 2.2 GPM Aerator, 3/8" NPSM Male
3	044A	3/8" to Aerator Adapter
4	001043-45	Washer
5	000557-25	Bell Adapter, 5/8-27 UN Female x 3/8" NPSM Female
6	135X-V22	8 13/16" Swivel Gooseneck w/ 2.2 GPM VR Aerator
7	009538-45	Swivel Washer
8	011429-45	Swivel Sleeves (2)
9	001074-45	O-Ring
10	014200-45	Star Washer, Anti-Rotation
11	016754-40NS	EasyInstall CWS Swivel Center Shank (New Style)
12	016742-45	Center Flange Nut
13	016745-45	Compression Nut & Fitting
14	018506-19NS	Blue Button Index, Press-in
15	VRS-2	VR Wrist Action Handle Screw (2) w/ Spanner Bit
16	016752-40NS	EasyInstall, CWS Quarter-Turn Eterna Cartridge w/ Spring Check, LTC
17	016777-45	CWS Hanger
18	016749-45	Sidebody C-Washer
19	000958-20	Coupling Nut
20	016753-40NS	EasyInstall, CWS Quarter-Turn Eterna Cartridge w/ Spring Check, RTC
21	016743-25	CWS Eterna Bonnet
22	009002-40NS	Packing Assembly (New Style)
23	001257-40NS	Bell Escutcheon
24	B-WH4-NS	Wrist Action Handle (New Style)
25	001193-19NS	Red Button Index, Press-in



Product Specifications:

8" Concealed Widespread EasyInstall Mixing Faucet, Wrist Action Handles, VR Screws, Quarter-Turn Eterna Cartridges w/ Spring Checks, Swivel/Rigid Gooseneck w/ 2.2 GPM VR Aerator and 1/2" NPT Male Inlets

Product Compliance:

ASME A112.18.1 / CSA B125.1
NSF 61 - Section 9
NSF 372 (Low Lead Content)
ANSI A117.1 (ADA)