



# T&S BRASS AND BRONZE WORKS, INC.

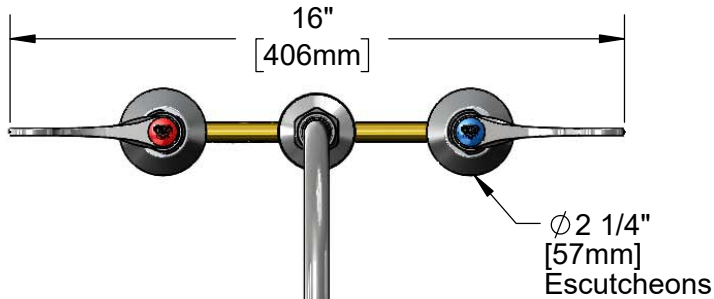
2 Saddleback Cove / P.O. Box 1088  
Travelers Rest, SC 29690

Model No.

**B-2855-02**

Item No.

Travelers Rest, SC: 800-476-4103 • Simi Valley, CA: 800-423-0150 • Fax: 864-834-3518 • www.tsbrass.com



This Space for Architect/Engineer Approval

Job Name \_\_\_\_\_ Date \_\_\_\_\_

Model Specified \_\_\_\_\_ Quantity \_\_\_\_\_

Customer/Wholesaler \_\_\_\_\_

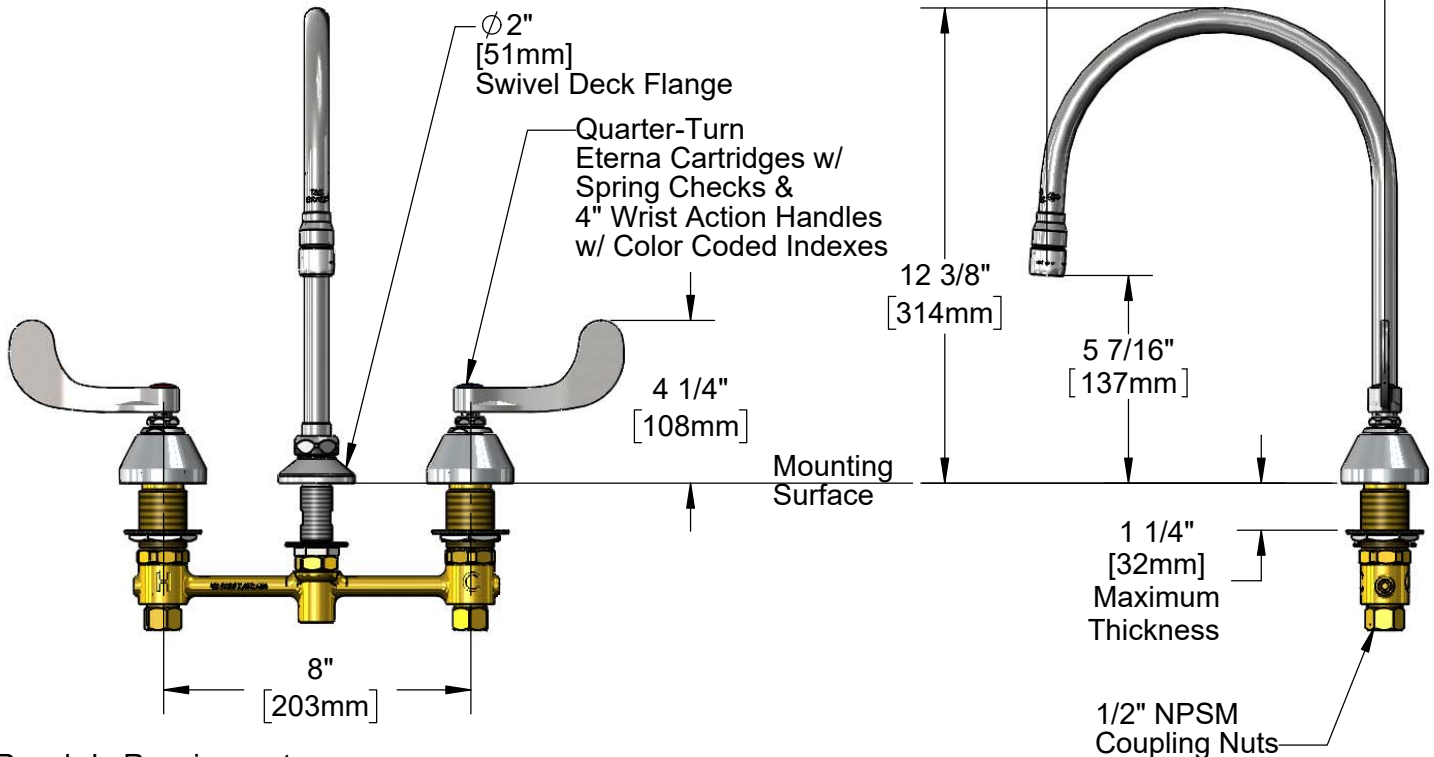
Contractor \_\_\_\_\_

Architect/Engineer \_\_\_\_\_



**ADA Compliant**

Swivel Gooseneck w/  
B-0199-29  
1.5 GPM Laminar Flow Device.  
Rigid Conversion Requires  
014200-45 Lock Washer  
(Included)



### Rough-In Requirement:

$\phi$  1" [25mm] for Center Shank

$\phi$  1 1/2" [38mm] for Hot/Cold Side

### Product Specifications:

8" Concealed Widespread EasyInstall Mixing Faucet, 4" Wrist Action Handles, Quarter-Turn Eterna Cartridges w/ Spring Checks, Swivel/Rigid Gooseneck w/ 1.5 GPM Laminar Flow Device and 1/2" NPT Male Inlets

### Product Compliance:

ASME A112.18.1 / CSA B125.1  
NSF 61 - Section 9  
NSF 372 (Low Lead Content)  
ANSI A117.1 (ADA)



# T&S BRASS AND BRONZE WORKS, INC.

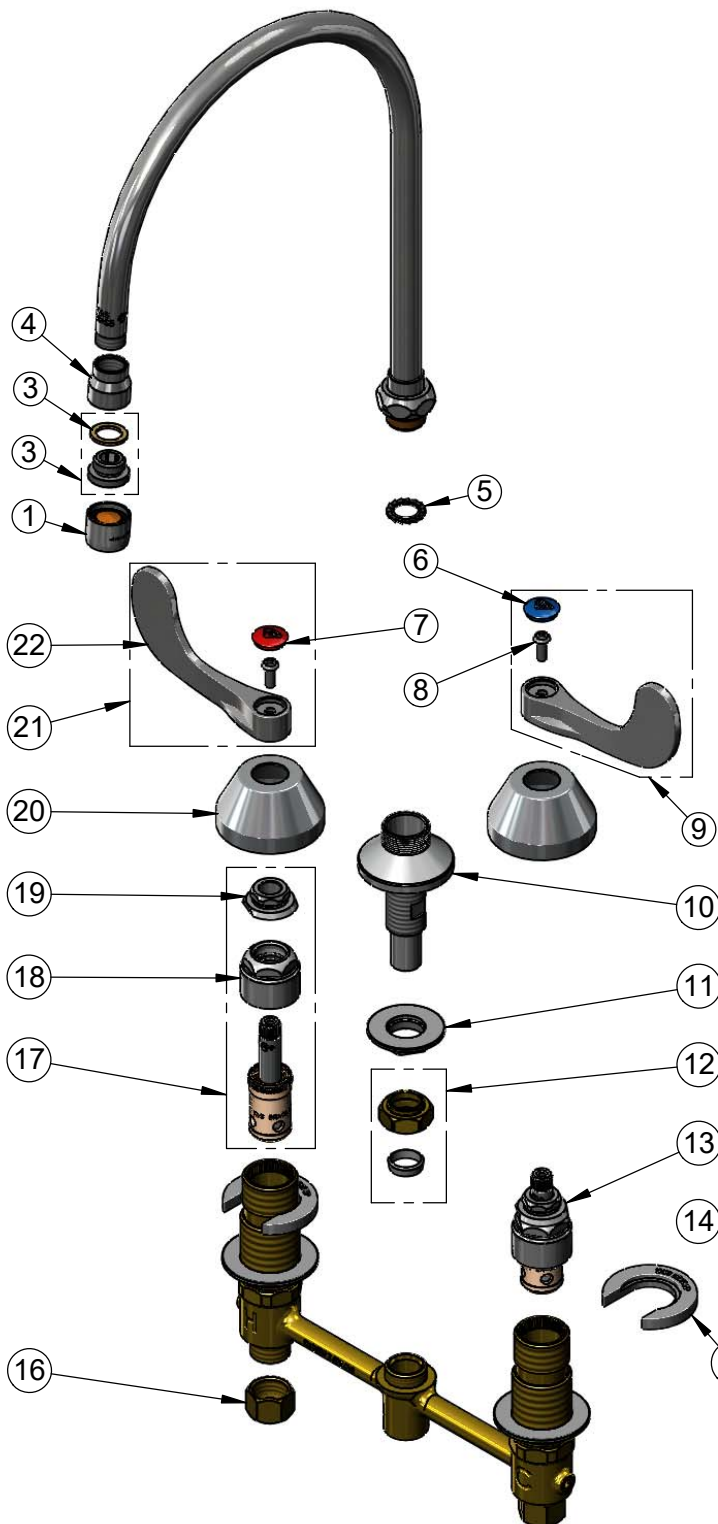
2 Saddleback Cove / P.O. Box 1088  
Travelers Rest, SC 29690

Model No.

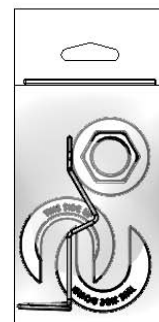
**B-2855-02**

Item No.

Travelers Rest, SC: 800-476-4103 • Simi Valley, CA: 800-423-0150 • Fax: 864-834-3518 • www.tsbrass.com



ITEM NO.	SALES NO.	DESCRIPTION
1	B-0199-29	1.5 GPM Laminar Flow Device
2	044A	3/8" to Aerator Adapter
3	001043-45	Washer
4	000557-25	Bell Adapter, 5/8-27 UN Female x 3/8" NPSM Female
5	014200-45	Star Washer, Anti-Rotation
6	018506-19NS	Blue Button Index, Press-in
7	001193-19NS	Red Button Index, Press-in
8	000925-45	Lab Handle Screw
9	B-WH4C-NS	Wrist Action Handle, Blue Index & Screw
10	016754-40NS	EasyInstall CWS Swivel Center Shank (New Style)
11	016742-45	Center Flange Nut
12	016745-45	Compression Nut & Fitting
13	016752-40NS	EasyInstall, CWS Quarter-Turn Eterna Cartridge w/ Spring Check, LTC
14	016777-45	CWS Hanger
15	016749-45	Sidebody C-Washer
16	000958-20	Coupling Nut
17	016753-40NS	EasyInstall, CWS Quarter-Turn Eterna Cartridge w/ Spring Check, RTC
18	016743-25	CWS Eterna Bonnet
19	009002-40NS	Packing Assembly (New Style)
20	001257-40NS	Bell Escutcheon
21	B-WH4H-NS	Wrist Action Handle, Red Index & Screw
22	B-WH4-NS	Wrist Action Handle (New Style)



017245-40  
Installation Repair Kit  
Includes #11, #14, & (2)#15

**Product Specifications:**

8" Concealed Widespread EasyInstall Mixing Faucet, 4" Wrist Action Handles, Quarter-Turn Eterna Cartridges w/ Spring Checks, Swivel/Rigid Gooseneck w/ 1.5 GPM Laminar Flow Device and 1/2" NPT Male Inlets

**Product Compliance:**

ASME A112.18.1 / CSA B125.1  
NSF 61 - Section 9  
NSF 372 (Low Lead Content)  
ANSI A117.1 (ADA)