



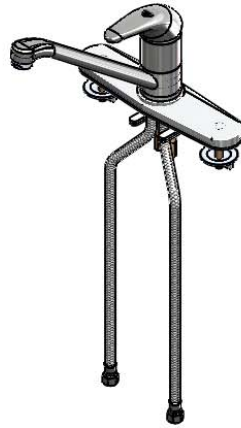
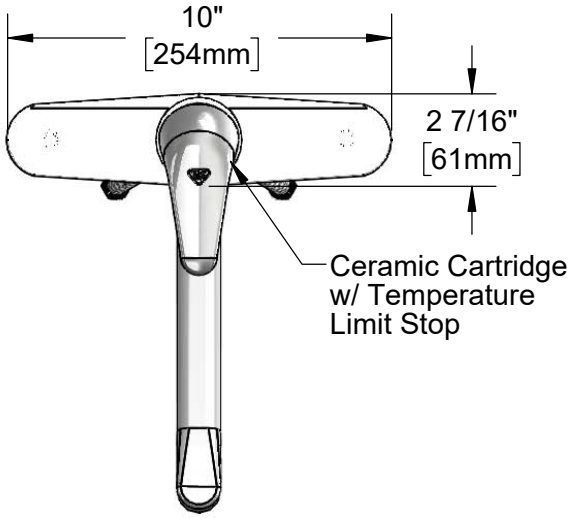
T&S BRASS AND BRONZE WORKS, INC.
 2 Saddleback Cove / P.O. Box 1088
 Travelers Rest, SC 29690

Model No.

B-2731-WS

Item No.

Travelers Rest, SC: 800-476-4103 • Simi Valley, CA: 800-423-0150 • Fax: 864-834-3518 • www.tsbrass.com



This Space for Architect/Engineer Approval

Job Name _____ Date _____

Model Specified _____ Quantity _____

Customer/Wholesaler _____

Contractor _____

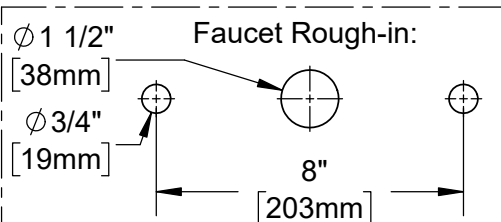
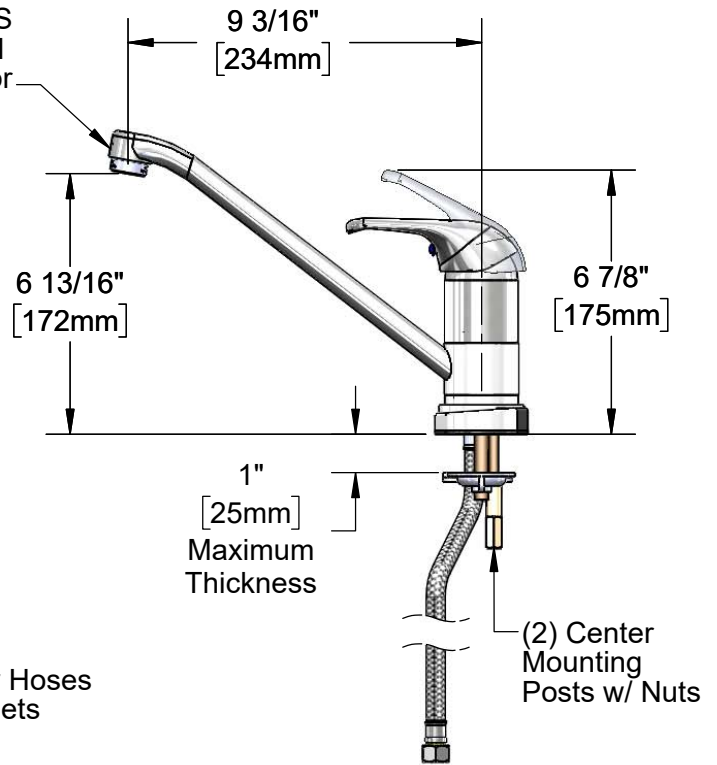
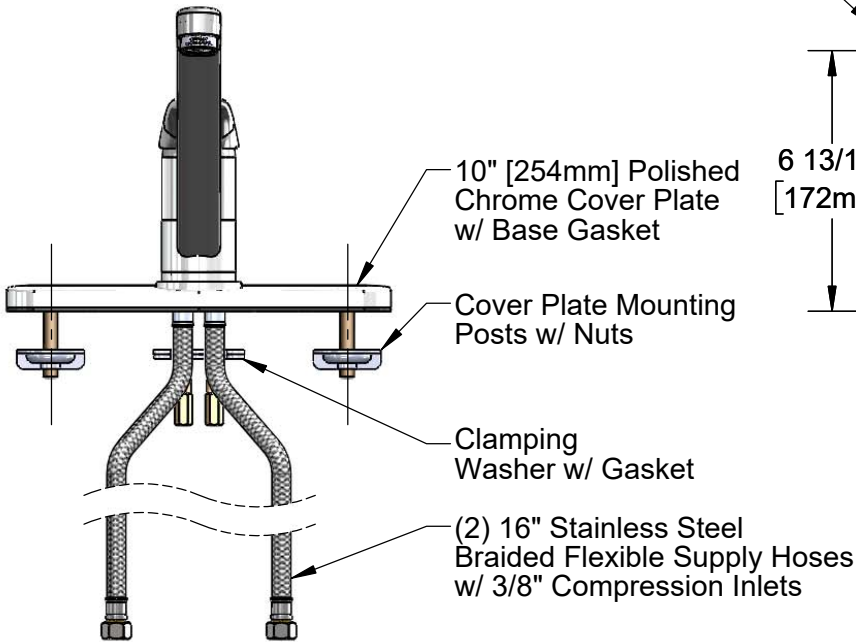
Architect/Engineer _____



ADA Compliant



B-0199-04-WS
 1.5 GPM
 Aerator



Product Specifications:
 Single Lever Deck Mount Faucet, 9" Swivel Spout, 1.5 GPM Aerator, Temperature Limit Stop, 10" Deckplate & (2) 16" Flexible Stainless Steel Braided Supply Hoses

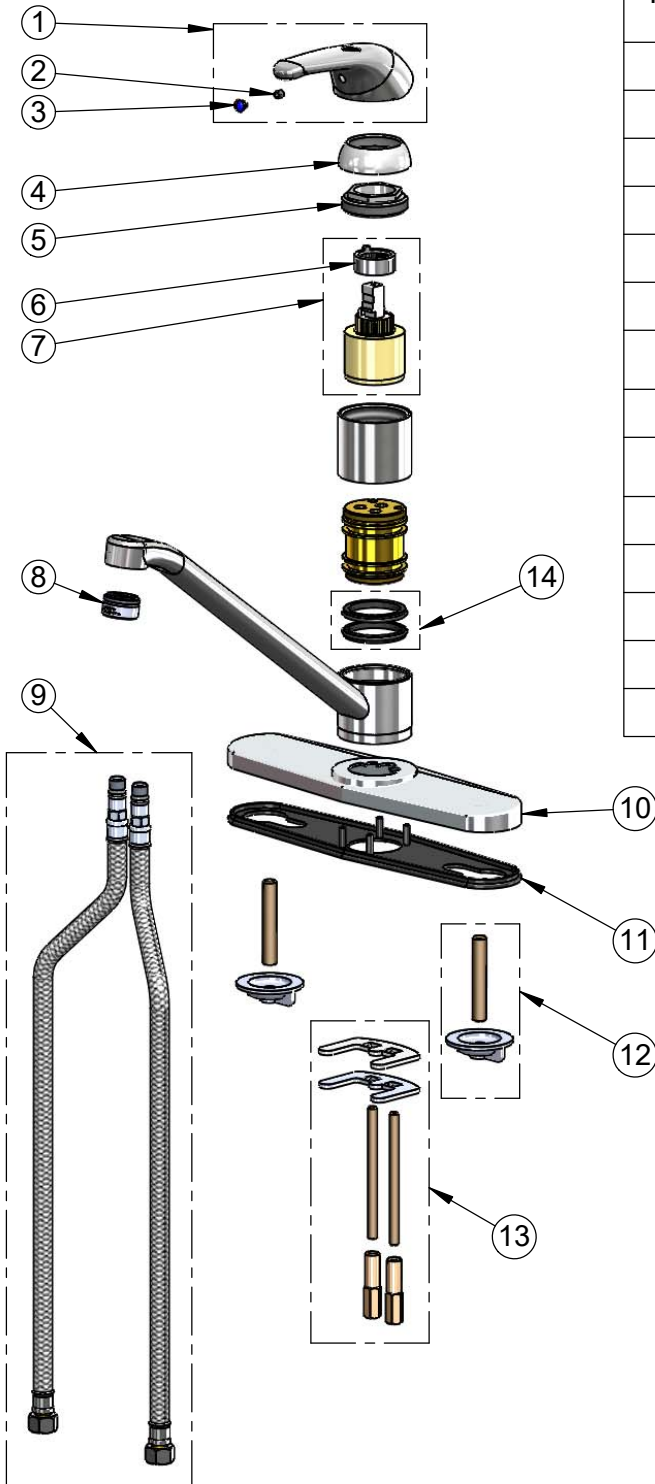
Product Compliance:
 ASME A112.18.1 / CSA B125.1
 NSF 61 - Section 9
 NSF 372 (Low Lead Content)
 ANSI A117.1 (ADA)
 EPA WaterSense (PRSV)



T&S BRASS AND BRONZE WORKS, INC.
 2 Saddleback Cove / P.O. Box 1088
 Travelers Rest, SC 29690

Model No.
B-2731-WS
 Item No.

Travelers Rest, SC: 800-476-4103 • Simi Valley, CA: 800-423-0150 • Fax: 864-834-3518 • www.tsbrass.com



| ITEM NO. | SALES NO. | DESCRIPTION |
|----------|--------------|---|
| 1 | 013113-45 | Single Lever Short Handle |
| 2 | 016675-45 | Set Screw |
| 3 | 014173-45 | Index, Temperature |
| 4 | 016661-45 | Trim Ring |
| 5 | 016663-45 | Locking Nut |
| 6 | 015400-45 | Temperature Limit Stop |
| 7 | 013080-45 | Cerama Cartridge w/ Temperature Limit Stop |
| 8 | B-0199-04-WS | 1.5 GPM Aerator, 15/16-27 Male |
| 9 | 016879-45 | 16" Supply Hoses w/ 3/8" Compression Inlets (2) |
| 10 | 014161-45 | Deck Plate |
| 11 | 014160-45 | Deck Plate Gasket |
| 12 | 014162-45 | Mounting Post & Nut Kit (2) |
| 13 | 014163-45 | Center Mounting Kit |
| 14 | 017150-45K | Base Seal (2) |

Product Specifications:
 Single Lever Deck Mount Faucet, 9" Swivel Spout, 1.5 GPM Aerator, Temperature Limit Stop, 10" Deckplate & (2) 16" Flexible Stainless Steel Braided Supply Hoses

Product Compliance:
 ASME A112.18.1 / CSA B125.1
 NSF 61 - Section 9
 NSF 372 (Low Lead Content)
 ANSI A117.1 (ADA)
 EPA WaterSense (PRSV)