



T&S BRASS AND BRONZE WORKS, INC.

2 Saddleback Cove / P.O. Box 1088
Travelers Rest, SC 29690

Model No.

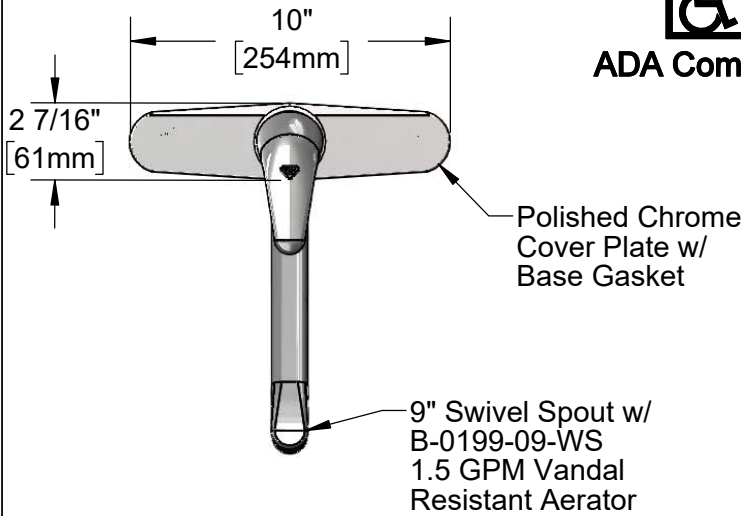
B-2731-WS-VR

Item No.

Travelers Rest, SC: 800-476-4103 • Simi Valley, CA: 800-423-0150 • Fax: 864-834-3518 • www.tsbrass.com



ADA Compliant



This Space for Architect/Engineer Approval

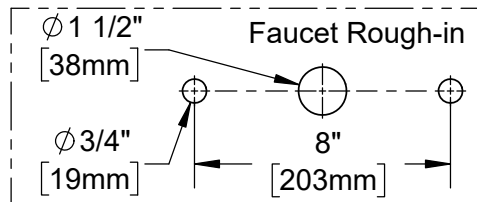
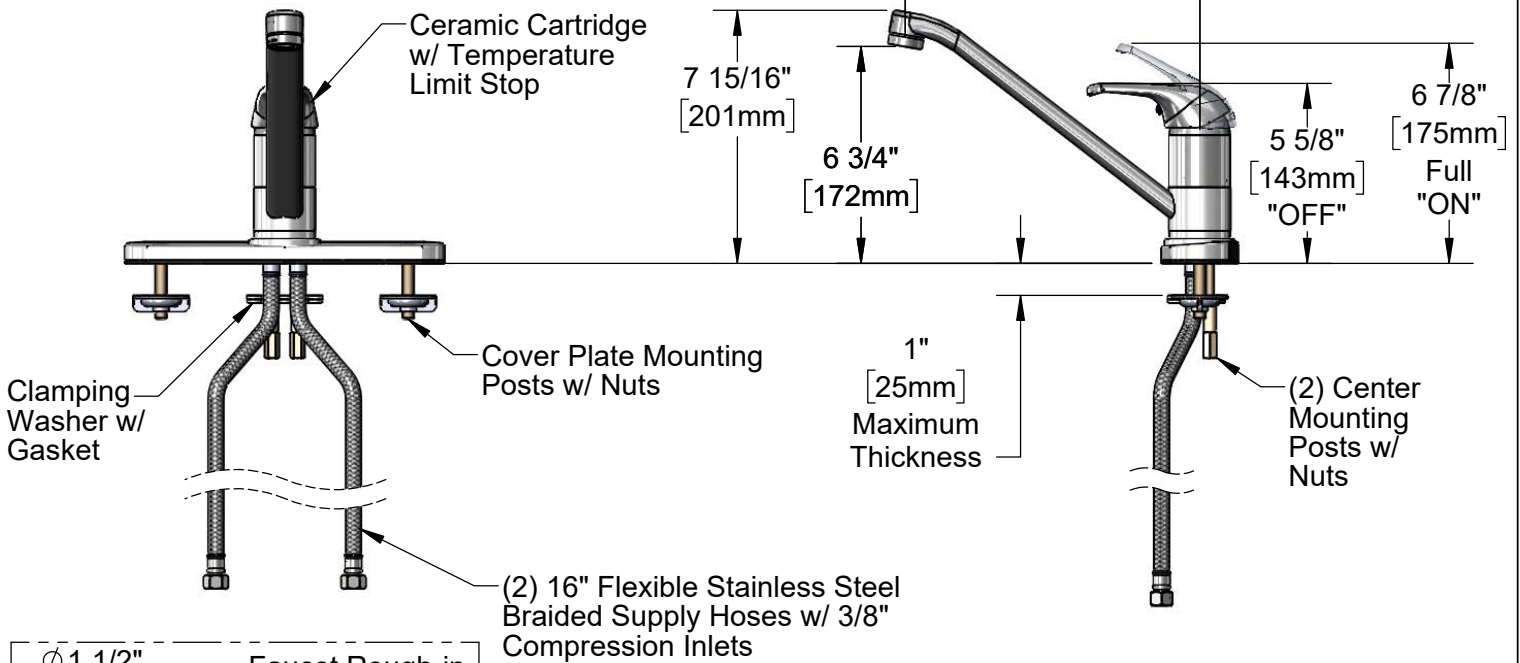
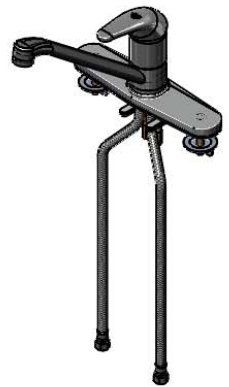
Job Name _____ Date _____

Model Specified _____ Quantity _____

Customer/Wholesaler _____

Contractor _____

Architect/Engineer _____



Product Specifications:
Single Lever Deck Mount Faucet, Ceramic Cartridge w/ Temperature Limit Stop, 9" Swivel Spout, 1.5 GPM VR Aerator, 10" Deckplate & (2) 16" Flexible Stainless Steel Braided Supply Hoses

Product Compliance:
ASME A112.18.1 / CSA B125.1
NSF 61 - Section 9
NSF 372 (Low Lead Content)
ANSI A117.1 (ADA)



T&S BRASS AND BRONZE WORKS, INC.

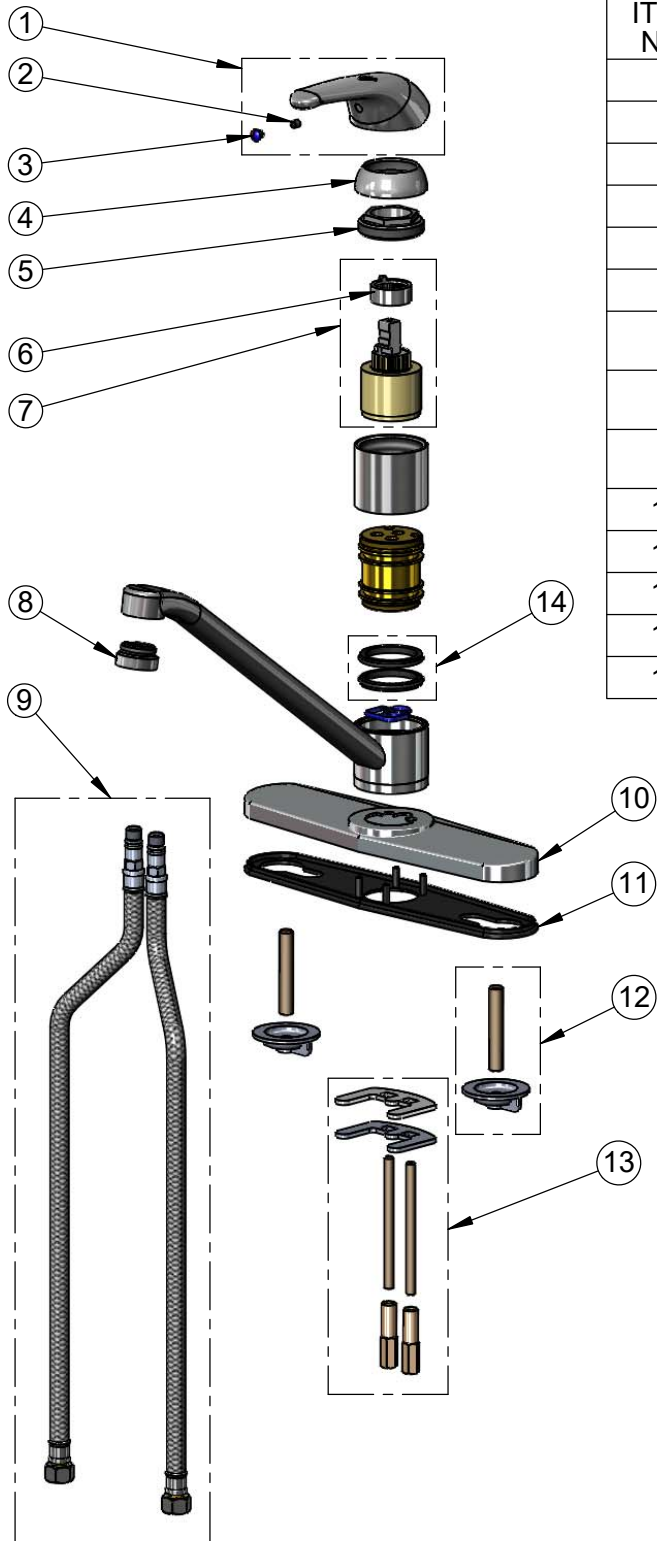
2 Saddleback Cove / P.O. Box 1088
Travelers Rest, SC 29690

Model No.

B-2731-WS-VR

Item No.

Travelers Rest, SC: 800-476-4103 • Simi Valley, CA: 800-423-0150 • Fax: 864-834-3518 • www.tsbrass.com



ITEM NO.	SALES NO.	DESCRIPTION
1	013113-45	Single Lever Short Handle
2	016675-45	Set Screw
3	014173-45	Index, Temperature
4	016661-45	Trim Ring
5	016663-45	Locking Nut
6	015400-45	Temperature Limit Stop
7	013080-45	Ceramic Cartridge w/ Temperature Limit Stop
8	B-0199-09-WS	VR 1.5 GPM Aerator, 15/16-27 UN Male w/ Key
9	016879-45	16" Supply Hose w/ 3/8" Compression Inlets (2)
10	014161-45	Deck Plate, B-2730 & B-2731
11	014160-45	Deck Plate Gasket, B-2730 & B-2731
12	014162-45	Mounting Post & Nut Kit (2)
13	014163-45	Center Mounting Kit
14	017150-45K	Base Seal (2)



015425-45
Vandal Resistant Key

Product Specifications:

Single Lever Deck Mount Faucet, Ceramic Cartridge w/ Temperature Limit Stop, 9" Swivel Spout, 1.5 GPM VR Aerator, 10" Deckplate & (2) 16" Flexible Stainless Steel Braided Supply Hoses

Product Compliance:

ASME A112.18.1 / CSA B125.1
NSF 61 - Section 9
NSF 372 (Low Lead Content)
ANSI A117.1 (ADA)