



T&S BRASS AND BRONZE WORKS, INC.

2 Saddleback Cove / P.O. Box 1088
Travelers Rest, SC 29690

Model No.

B-2730

Item No.

Travelers Rest, SC: 800-476-4103 • Simi Valley, CA: 800-423-0150 • Fax: 864-834-3518 • www.tsbrass.com



ADA Compliant

This Space for Architect/Engineer Approval

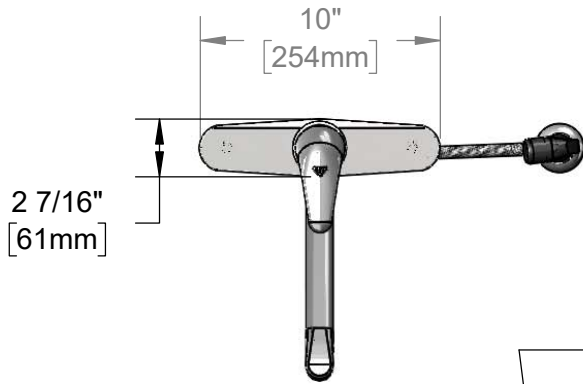
Job Name _____ Date _____

Model Specified _____ Quantity _____

Customer/Wholesaler _____

Contractor _____

Architect/Engineer _____



Ceramic Cartridge w/ Temperature Limit Stop

Polished Chrome Cover Plate w/ Base Gasket

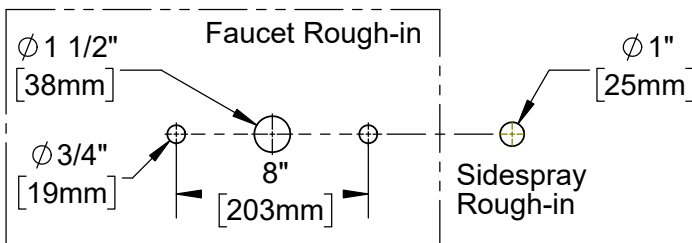
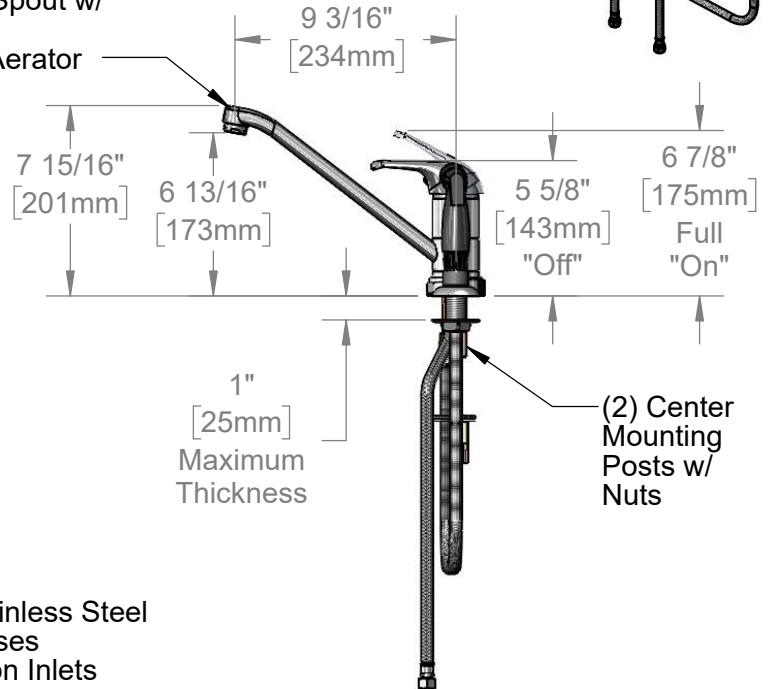
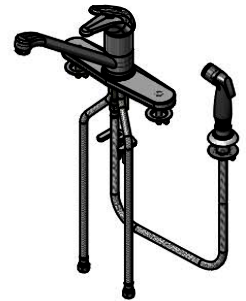
Cover Plate Mounting Posts w/ Nuts

Clamping Washer w/ Gasket

4' [1219mm] Reinforced Vinyl Hose & Sidespray w/ Hose Guide

9" Swivel Spout w/ B-0199-04 2.2 GPM Aerator

(2) 16" Flexible Stainless Steel Braided Supply Hoses w/ 3/8" Compression Inlets



Product Specifications:

Single Lever Deck Mount Faucet, Ceramic Cartridge, 9" Swivel Spout, 2.2 GPM Aerator, 10" Deckplate, Temperature Limit Stop, 4' Reinforced Flexible Sidespray w/ Hose Guide & (2) 16" Flexible Stainless Steel Braided Supply Hoses

Product Compliance:

ASME A112.18.1 / CSA B125.1
NSF 61 - Section 9
NSF 372 (Low Lead Content)
ANSI A117.1 (ADA)



T&S BRASS AND BRONZE WORKS, INC.

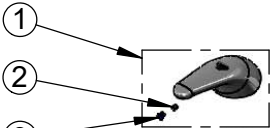


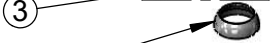
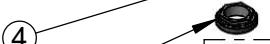











2 Saddleback Cove / P.O. Box 1088
Travelers Rest, SC 29690

Model No.

B-2730

Item No.

Travelers Rest, SC: 800-476-4103 • Simi Valley, CA: 800-423-0150 • Fax: 864-834-3518 • www.tsbrass.com

	ITEM NO.	SALES NO.	DESCRIPTION
	1	013113-45	Single Lever Short Handle
	2	016675-45	Set Screw
	3	014173-45	Index, Temperature
	4	016661-45	Trim Ring
	5	016663-45	Locking Nut
	6	B-0199-04	2.2 GPM Aerator, 15/16-27 UN Male
	7	016879-45	16" Supply Hoses w/ 3/8" Compression Inlets (2)
	8	015400-45	Temperature Limit Stop
	9	013080-45	Ceramic Cartridge w/ Temperature Limit Stop
	10	014161-45	Deck Plate, B-2730 & B-2731
	11	014160-45	Deck Plate Gasket, B-2730 & B-2731
	12	014162-45	Mounting Post & Nut Kit (2)
	13	014163-45	Center Mounting Kit
	14	013842-45	4' Sidespray w/ Hose Guide
	15	001496-45	Hose Guide
	16	017150-45K	Base Seal - Qty 2

Product Specifications:
 Single Lever Deck Mount Faucet, Ceramic Cartridge, 9" Swivel Spout, 2.2 GPM Aerator, 10" Deckplate, Temperature Limit Stop, 4' Reinforced Flexible Sidespray w/ Hose Guide & (2) 16" Flexible Stainless Steel Braided Supply Hoses

Product Compliance:
 ASME A112.18.1 / CSA B125.1
 NSF 61 - Section 9
 NSF 372 (Low Lead Content)
 ANSI A117.1 (ADA)