



T&S BRASS AND BRONZE WORKS, INC.
 2 Saddleback Cove / P.O. Box 1088
 Travelers Rest, SC 29690

Model No.
B-2711-WS

Item No.

Travelers Rest, SC: 800-476-4103 • Simi Valley, CA: 800-423-0150 • Fax: 864-834-3518 • www.tsbrass.com



ADA Compliant



This Space for Architect/Engineer Approval

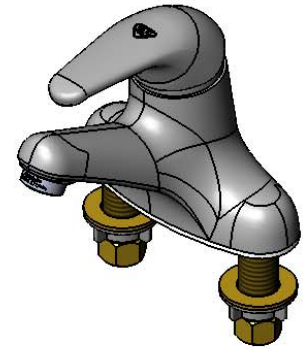
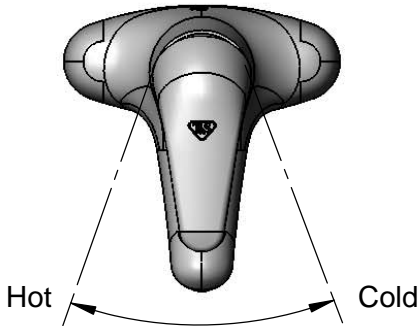
Job Name _____ Date _____

Model Specified _____ Quantity _____

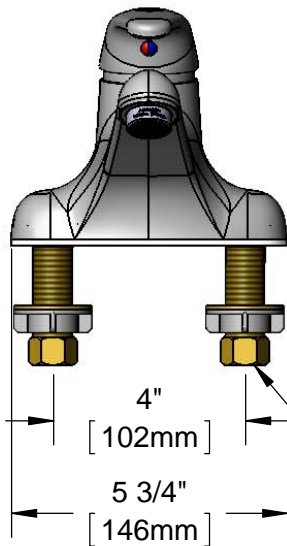
Customer/Wholesaler _____

Contractor _____

Architect/Engineer _____



B-0199-04-WS
 1.5 GPM Aerator



Mounting Surface

1 3/8"
 [35mm]
 Maximum Thickness

1/2" NPSM Male Inlets w/ Coupling Nuts

4"
 [102mm]

5 3/4"
 [146mm]

4 13/16"
 [122mm]

"OFF"

2 5/16"
 [58mm]

5 15/16"
 [150mm]

"Full ON"

2 5/16"
 [59mm]

4 3/8"
 [111mm]

Rough-In Requirement:
 (2) \varnothing 1" [25mm] Mounting Holes

Product Specifications:
 4" Deck Mount Single Lever Faucet, Temperature Limit Stop,
 Ceramic Cartridge, 1.5 GPM Aerator & 1/2" NPSM Male Inlets

Product Compliance:
 ASME A112.18.1 / CSA B125.1
 NSF 61 - Section 9
 NSF 372 (Low Lead Content)
 ANSI A117.1 (ADA)
 EPA WaterSense



T&S BRASS AND BRONZE WORKS, INC.

2 Saddleback Cove / P.O. Box 1088
Travelers Rest, SC 29690

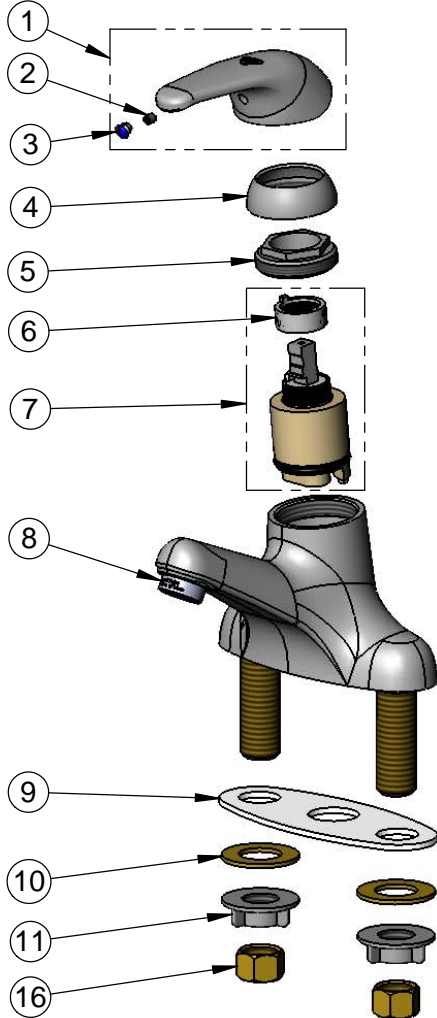
Model No.

B-2711-WS

Item No.

Travelers Rest, SC: 800-476-4103 • Simi Valley, CA: 800-423-0150 • Fax: 864-834-3518 • www.tsbrass.com

| ITEM NO. | SALES NO. | DESCRIPTION |
|----------|--------------|--------------------------------|
| 1 | 013113-45 | Single Lever Short Handle |
| 2 | 016675-45 | Set Screw |
| 3 | 014173-45 | Index, Temperature |
| 4 | 016661-45 | Trim Ring |
| 5 | 016663-45 | Locking Nut |
| 6 | 015400-45 | Temperature Limit Stop |
| 7 | 013111-45 | Single Lever Ceramic Cartridge |
| 8 | B-0199-04-WS | 1.5 GPM Aerator, 15/16-27 Male |
| 9 | 014167-45 | Deck Gasket |
| 10 | 000999-45 | Brass Lock Washer |
| 11 | 016673-45 | Shank Nut |
| 16 | 000958-20 | Coupling Nut |



Product Specifications:

4" Deck Mount Single Lever Faucet, Temperature Limit Stop, Ceramic Cartridge, 1.5 GPM Aerator & 1/2" NPSM Male Inlets

Product Compliance:

ASME A112.18.1 / CSA B125.1
NSF 61 - Section 9
NSF 372 (Low Lead Content)
ANSI A117.1 (ADA)
EPA WaterSense