



**T&S BRASS AND BRONZE WORKS, INC.**

2 Saddleback Cove / P.O. Box 1088  
Travelers Rest, SC 29690

Model No.

**B-2710-VF22**

Item No.

Travelers Rest, SC: 800-476-4103 • Simi Valley, CA: 800-423-0150 • Fax: 864-834-3518 • www.tsbrass.com

This Space for Architect/Engineer Approval

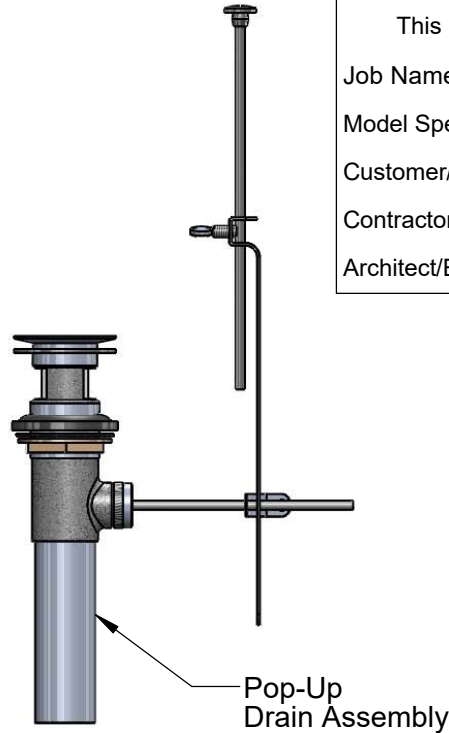
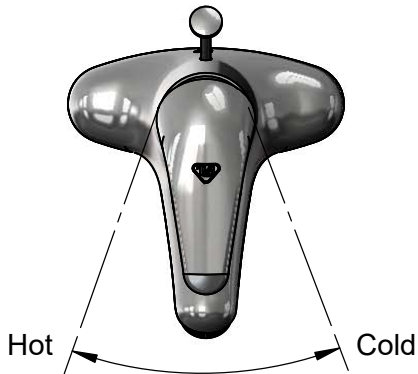
Job Name \_\_\_\_\_ Date \_\_\_\_\_

Model Specified \_\_\_\_\_ Quantity \_\_\_\_\_

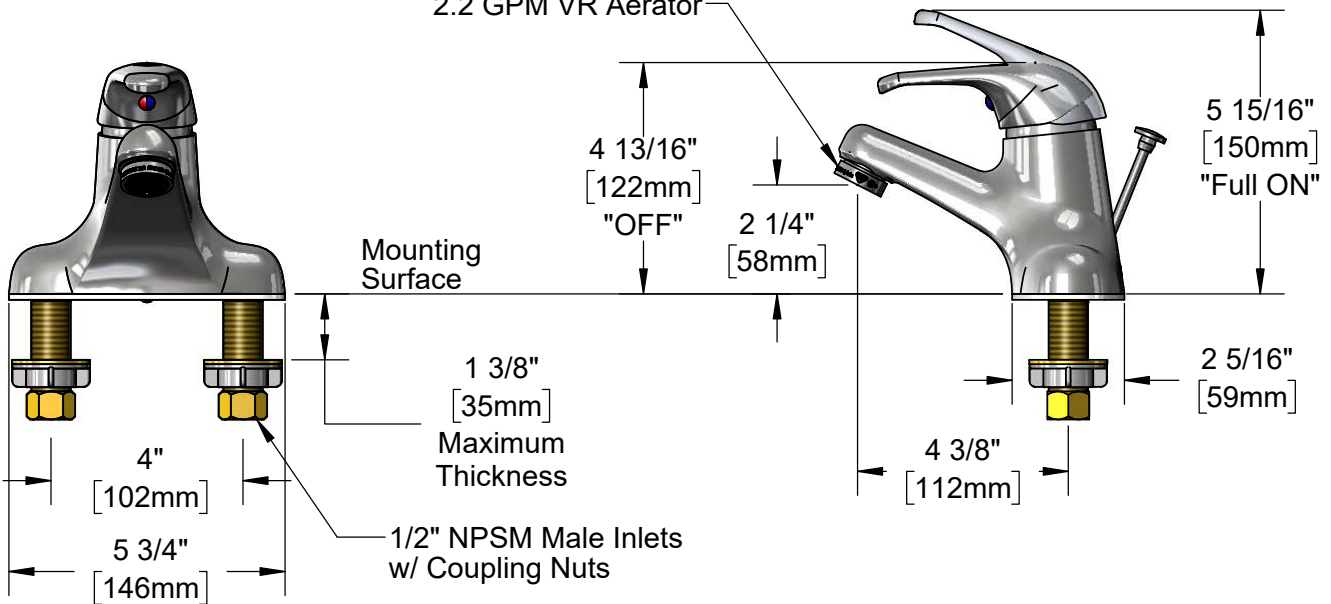
Customer/Wholesaler \_\_\_\_\_

Contractor \_\_\_\_\_

Architect/Engineer \_\_\_\_\_



B-0199-09  
2.2 GPM VR Aerator



**Rough-In Requirement:**

Faucet: (3) 1" [25mm] Diameter Mounting Holes

Pop-Up Drain: Fits Sinks with  $\phi$  1 7/16" [36mm] to  $\phi$  1 3/4" [44mm] Drain Hole

**Product Specifications:**

4" Centerset Single Lever Faucet w/ Pop-up Drain, Ceramic Cartridge w/ Temperature Limit Stop, 2.2 GPM Vandal Resistant Aerator & 1/2" NPSM Male Inlets

**Product Compliance:**

ASME A112.18.1 / CSA B125.1  
NSF 61 - Section 9  
NSF 372 (Low Lead Content)  
ANSI A117.1 (ADA)



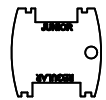
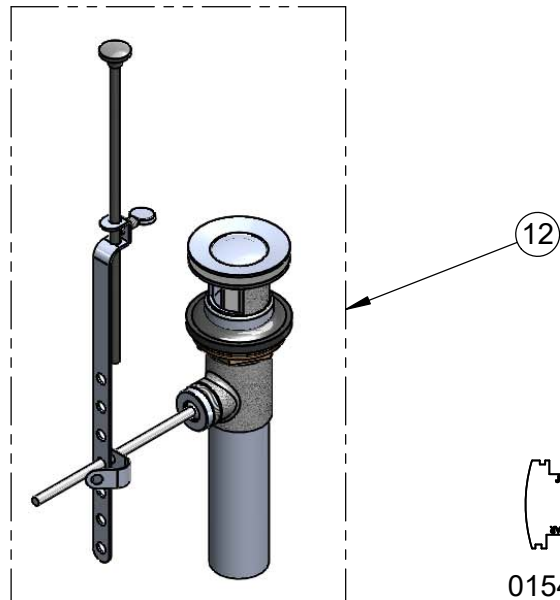
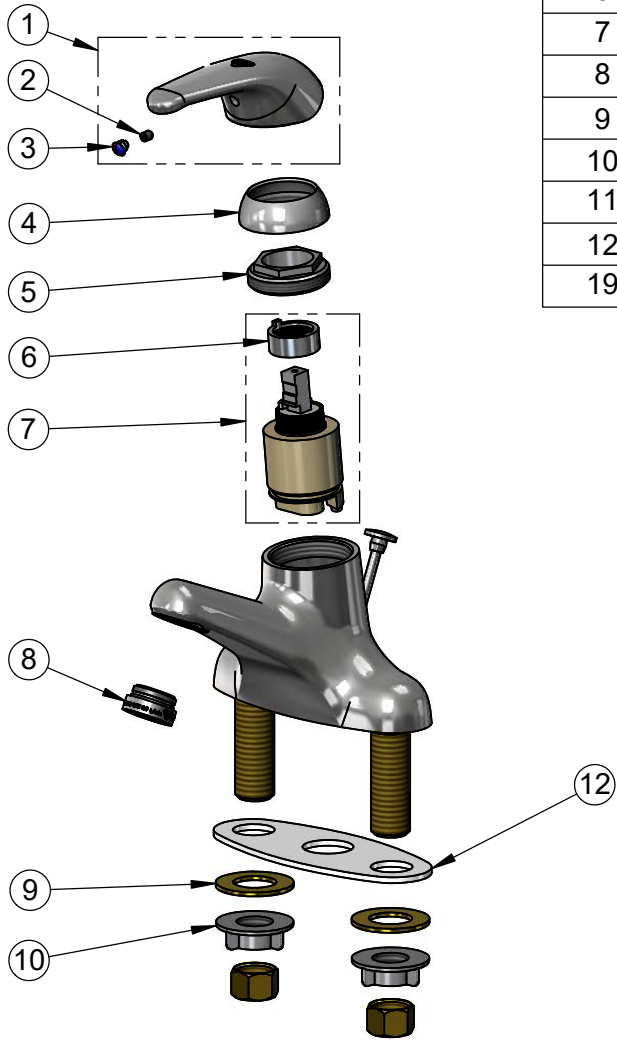
**T&S BRASS AND BRONZE WORKS, INC.**  
 2 Saddleback Cove / P.O. Box 1088  
 Travelers Rest, SC 29690

Model No.  
**B-2710-VF22**

Item No.

Travelers Rest, SC: 800-476-4103 • Simi Valley, CA: 800-423-0150 • Fax: 864-834-3518 • www.tsbrass.com

ITEM NO.	SALES NO.	DESCRIPTION
1	013113-45	Single Lever Short Handle
2	016675-45	Set Screw
3	014173-45	Index, Temperature
4	016661-45	Trim Ring
5	016663-45	Locking Nut
6	015400-45	Temperature Limit Stop
7	013111-45	Single Lever Ceramic Cartridge
8	B-0199-09	VR 2.2 GPM Aerator, 15/16-27 Male w/ Key
9	000999-45	Brass Lock Washer
10	016673-45	Shank Nut
11	B-0898	Pop-Up Drain
12	014167-45	Deck Gasket
19	000958-20	Coupling Nut



015425-45  
 Vandal Resistant Key

Product Specifications:  
 4" Centerset Single Lever Faucet w/ Pop-up Drain, Ceramic Cartridge w/  
 Temperature Limit Stop, 2.2 GPM Vandal Resistant Aerator &  
 1/2" NPSM Male Inlets

Product Compliance:  
 ASME A112.18.1 / CSA B125.1  
 NSF 61 - Section 9  
 NSF 372 (Low Lead Content)  
 ANSI A117.1 (ADA)