



**T&S BRASS AND BRONZE WORKS, INC.**

2 Saddleback Cove / P.O. Box 1088  
Travelers Rest, SC 29690

Model No.

**B-2710-F12**

Item No.

Travelers Rest, SC: 800-476-4103 • Simi Valley, CA: 800-423-0150 • Fax: 864-834-3518 • www.tsbrass.com



**ADA Compliant**

This Space for Architect/Engineer Approval

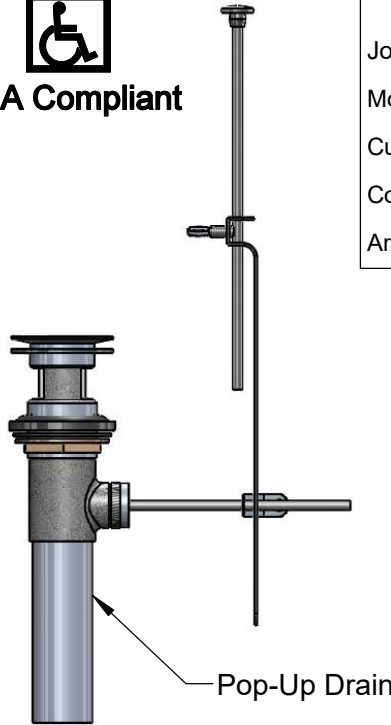
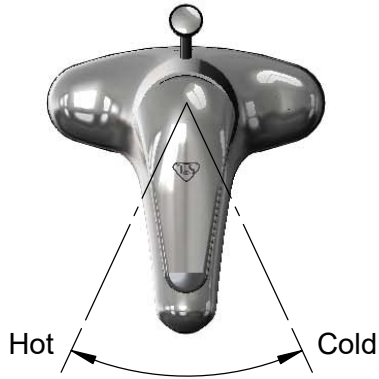
Job Name \_\_\_\_\_ Date \_\_\_\_\_

Model Specified \_\_\_\_\_ Quantity \_\_\_\_\_

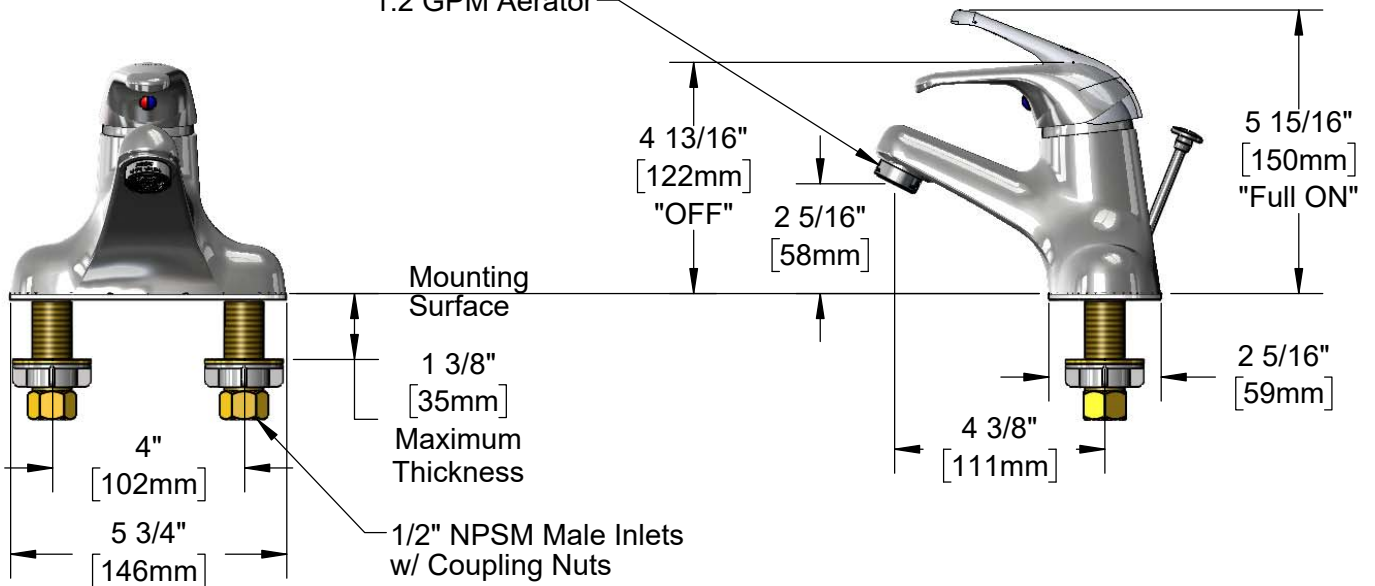
Customer/Wholesaler \_\_\_\_\_

Contractor \_\_\_\_\_

Architect/Engineer \_\_\_\_\_



B-0199-04-F12  
1.2 GPM Aerator



**Rough-In Requirement:**  
(3)  $\varnothing$  1" [25mm] Mounting Holes

**Product Specifications:**  
4" Deck Mount Single Lever Faucet, Ceramic Cartridge, Temperature Limit Stop, 1.2 GPM Aerator, Pop-Up Drain & 1/2" NPSM Male Inlets

**Product Compliance:**  
ASME A112.18.1 / CSA B125.1  
NSF 61 - Section 9  
NSF 372 (Low Lead Content)  
ANSI A117.1 (ADA)

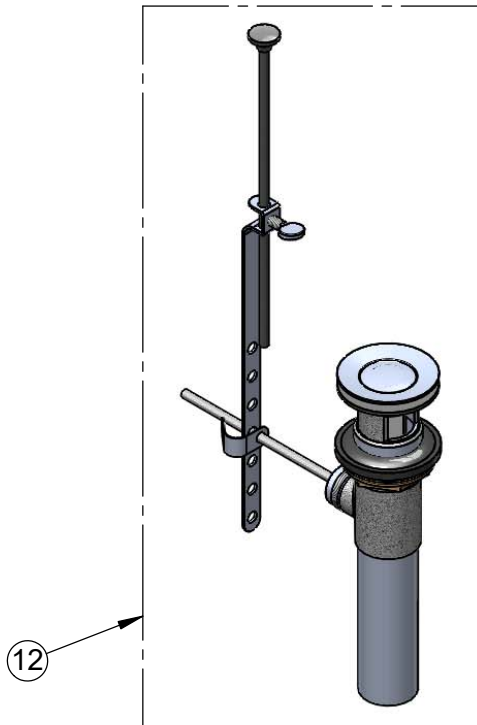
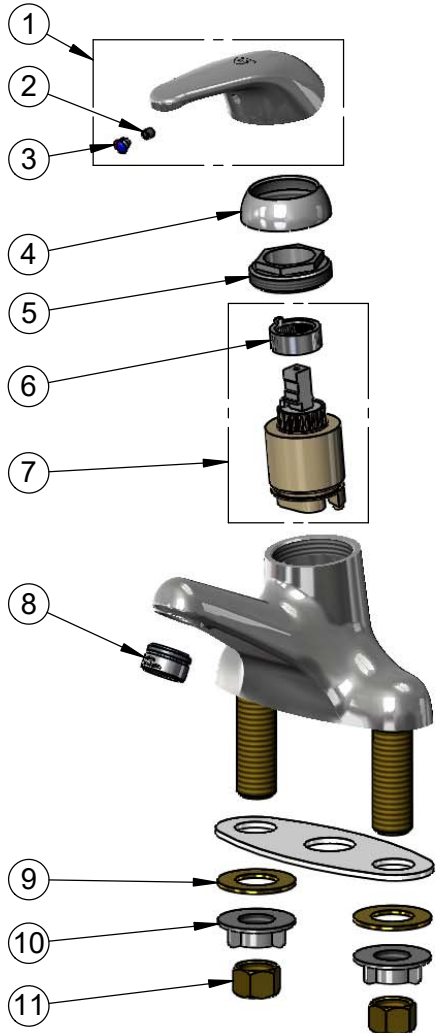


**T&S BRASS AND BRONZE WORKS, INC.**  
 2 Saddleback Cove / P.O. Box 1088  
 Travelers Rest, SC 29690

Model No.  
**B-2710-F12**  
 Item No.

Travelers Rest, SC: 800-476-4103 • Simi Valley, CA: 800-423-0150 • Fax: 864-834-3518 • www.tsbrass.com

| ITEM NO. | SALES NO.     | DESCRIPTION                    |
|----------|---------------|--------------------------------|
| 1        | 013113-45     | Handle, Single Lever           |
| 2        | 016675-45     | Set Screw                      |
| 3        | 014173-45     | Index, Temperature             |
| 4        | 016661-45     | Trim Ring                      |
| 5        | 016663-45     | Locking Nut                    |
| 6        | 015400-45     | Temperature Limit Stop         |
| 7        | 013111-45     | Ceramic Cartridge              |
| 8        | B-0199-04-F12 | 1.2 GPM Aerator, 15/16-27 Male |
| 9        | 000999-45     | Brass Lock Washer              |
| 10       | 016673-45     | Shank Nut                      |
| 11       | 000958-20     | Coupling Nut                   |
| 12       | B-0898        | Pop-Up Drain                   |



**Product Specifications:**  
 4" Deck Mount Single Lever Faucet, Ceramic Cartridge, Temperature Limit Stop, 1.2 GPM Aerator, Pop-Up Drain & 1/2" NPSM Male Inlets

**Product Compliance:**  
 ASME A112.18.1 / CSA B125.1  
 NSF 61 - Section 9  
 NSF 372 (Low Lead Content)  
 ANSI A117.1 (ADA)