



T&S BRASS AND BRONZE WORKS, INC.

2 Saddleback Cove / P.O. Box 1088
Travelers Rest, SC 29690

Model No.

B-2492

Item No.

Travelers Rest, SC: 800-476-4103 • Simi Valley, CA: 800-423-0150 • Fax: 864-834-3518 • www.tsbrass.com



ADA Compliant

This Space for Architect/Engineer Approval

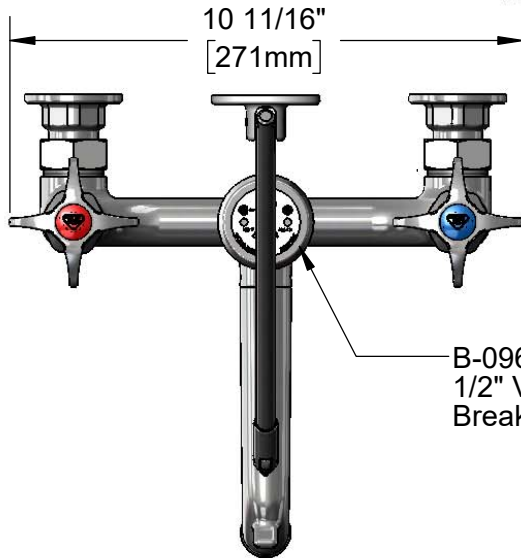
Job Name _____ Date _____

Model Specified _____ Quantity _____

Customer/Wholesaler _____

Contractor _____

Architect/Engineer _____



B-0969
1/2" Vacuum
Breaker



Support Rod
Wall Bracket
w/ Mounting
Screws

Mounting
Surface

14 5/16"
[364mm]

Quarter-Turn
Eterna Cartridges w/
Spring Checks &
4-Arm Handles w/
Color Coded Indexes

Items Not Shown
for Clarity

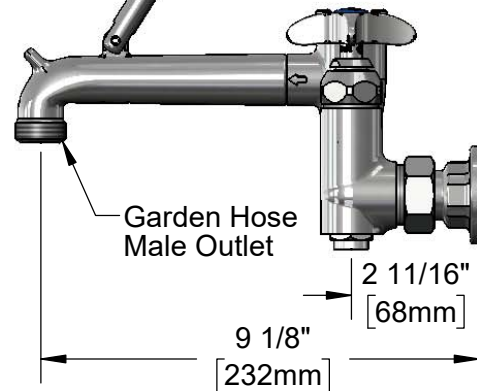
Rough Chrome
Finish on Faucet
Body & Spout

3 7/8"
[99mm]

Ø2" [51mm]
Flanges w/
1/2" NPT
Female Inlets

Integral
Service Stops

8"
[203mm]
Adjustable From
7 3/4" to 8 1/4"
[197mm to 210mm]



Garden Hose
Male Outlet

2 11/16"
[68mm]

9 1/8"
[232mm]

Product Specifications:

8" Wall Mount Rough Chrome Service Sink Faucet, Eterna Cartridges w/ Spring Checks, 4-Arm Handles, Vacuum Breaker, Integral Service Stops, Upper Support & 1/2" NPT Female Inlets

Product Compliance:

ASME A112.18.1 / CSA B125.1
NSF 61 - Section 9
NSF 372 (Low Lead Content)
ANSI A117.1 (ADA)
ASSE 1001 (VB)



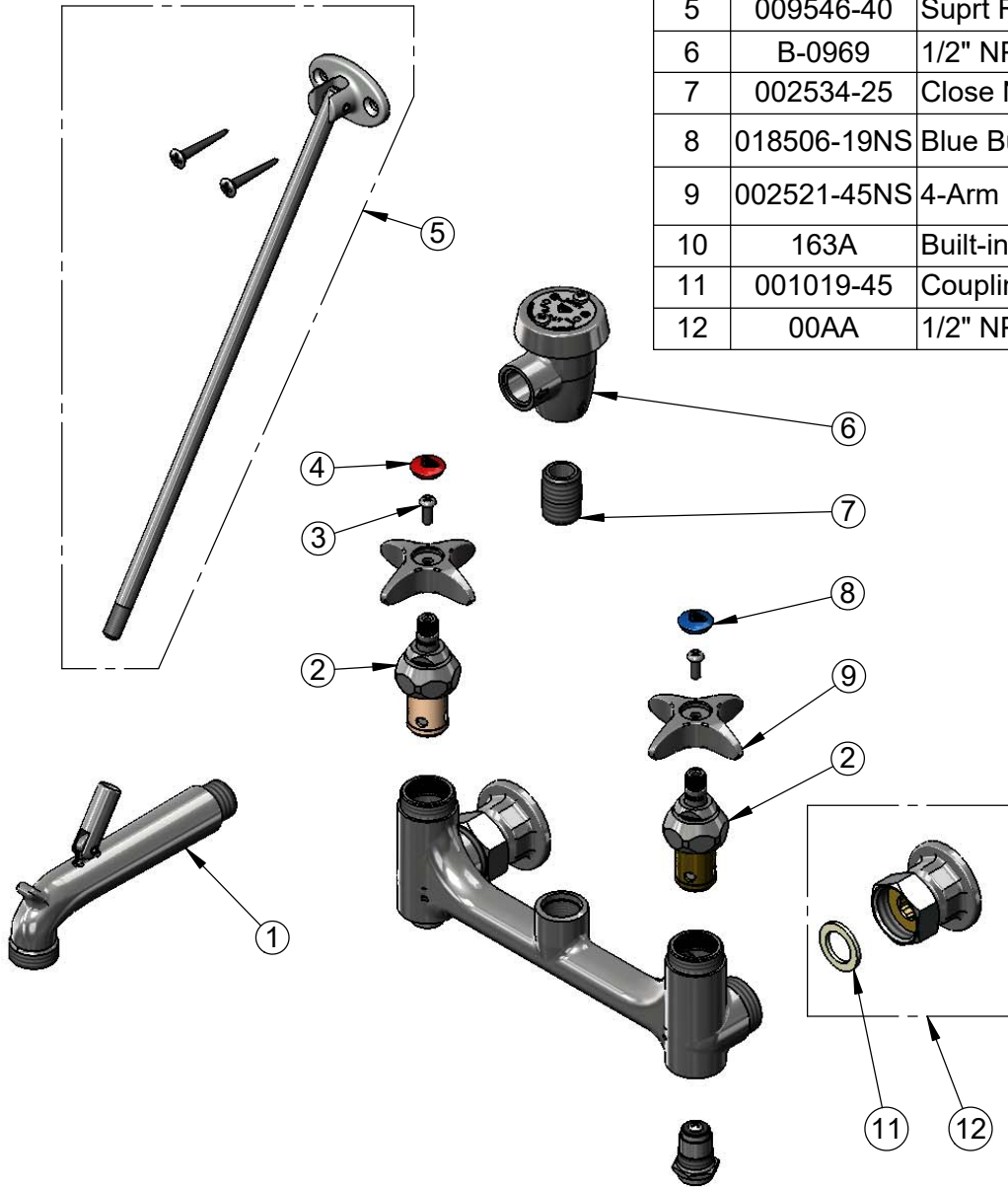
T&S BRASS AND BRONZE WORKS, INC.
 2 Saddleback Cove / P.O. Box 1088
 Travelers Rest, SC 29690

Model No.
B-2492

Item No.

Travelers Rest, SC: 800-476-4103 • Simi Valley, CA: 800-423-0150 • Fax: 864-834-3518 • www.tsbrass.com

ITEM NO.	SALES NO.	DESCRIPTION
1	009545-25	Spout w/ Male GH Outlet & Upper Clevis - Rough Chrome
2	012443-40NS	Quarter-Turn Eterna Cartridge w/ Spring Check, RTC
3	000925-45	Lab Handle Screw
4	001193-19NS	Red Button Index, Press-in
5	009546-40	Suprt Rod B-0665 - Polish Chrome
6	B-0969	1/2" NPT Vacuum Breaker
7	002534-25	Close Nipple, 1/2" NPT
8	018506-19NS	Blue Button Index, Press-in
9	002521-45NS	4-Arm Handle (New Style)
10	163A	Built-in Service Stop
11	001019-45	Coupling Nut Washer
12	00AA	1/2" NPT Female Eccentric Flange



Product Specifications:
 8" Wall Mount Rough Chrome Service Sink Faucet, Eterna Cartridges w/ Spring Checks, 4-Arm Handles, Vacuum Breaker, Integral Service Stops, Upper Support & 1/2" NPT Female Inlets

Product Compliance:
 ASME A112.18.1 / CSA B125.1
 NSF 61 - Section 9
 NSF 372 (Low Lead Content)
 ANSI A117.1 (ADA)
 ASSE 1001 (VB)