



T&S BRASS AND BRONZE WORKS, INC.

2 Saddleback Cove / P.O. Box 1088
Travelers Rest, SC 29690

Model No.

B-2490-VF05

Item No.

Travelers Rest, SC: 800-476-4103 • Simi Valley, CA: 800-423-0150 • Fax: 864-834-3518 • www.tsbrass.com



ADA Compliant

This Space for Architect/Engineer Approval

Job Name _____ Date _____

Model Specified _____ Quantity _____

Customer/Wholesaler _____

Contractor _____

Architect/Engineer _____



Push Button Metering Cartridge
w/ Blank Push Button Cap

B-0199-07-N05
VR 0.5 GPM
Non-Aerated
Spray Device



Ø 1 3/4"
[44mm]
Base

Mounting Surface

4 1/8"
[105mm]

4 5/8"
[118mm]

7/8"
[22mm]

13/16"
[21mm]
Maximum
Thickness

Temperature Mixing Valve
w/ Check Valves

3/8" Compression Female Inlets
w/ 18" Flexible Stainless Steel
Supply Hoses

Rough-In Requirement:
Ø 1 1/8" [29mm] Mounting Hole

Product Specifications:

Single Hole Single Temperature Deck Mount Basin Faucet, Push Button Metering Cartridge, VR 0.5 GPM Non-Aerated Spray Device, Temperature Control Mixing Valve w/ Check Valves & 18" Flexible Stainless Steel Supply Hoses w/ 3/8" Compression Female Inlets

Product Compliance:

ASME A112.18.1 / CSA B125.1
NSF 61 - Section 9
NSF 372 (Low Lead Content)
ANSI A117.1 (ADA)



T&S BRASS AND BRONZE WORKS, INC.

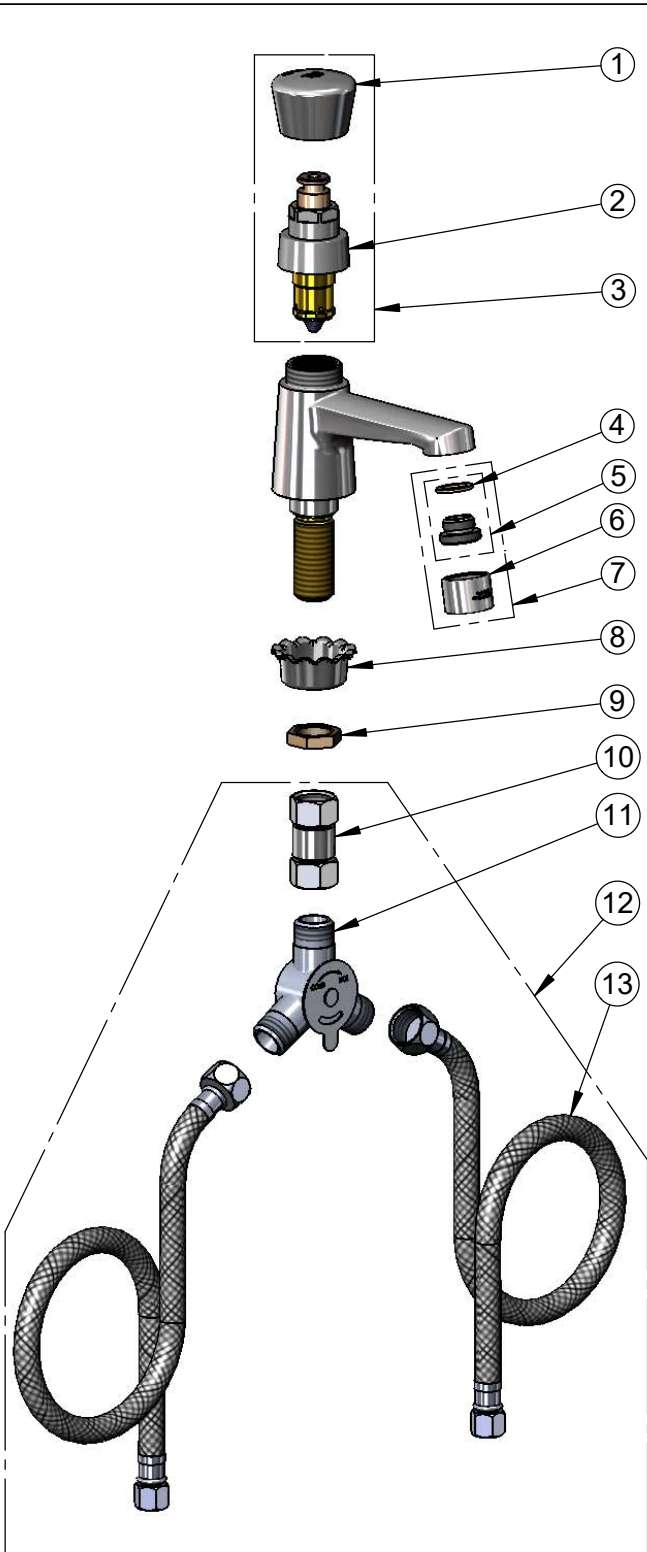
2 Saddleback Cove / P.O. Box 1088
Travelers Rest, SC 29690

Model No.

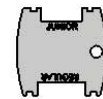
B-2490-VF05

Item No.

Travelers Rest, SC: 800-476-4103 • Simi Valley, CA: 800-423-0150 • Fax: 864-834-3518 • www.tsbrass.com



ITEM NO.	SALES NO.	DESCRIPTION
1	014193-40	Blank Push Button Cap
2	238A	Push Button Metering Cartridge
3	238AB	Push Button Metering Cartridge w/ Push Button Cap
4	001043-45	Washer
5	044A	3/8" to Aerator Adapter
6	B-0199-06-N05	VR 0.5 GPM Non-Aerated Spray Device, 55/64-27 UN Female w/ Key
7	B-0199-07-N05	Shank, Faucet
8	001000-45	Rosette Washer
9	002954-45	Shank Lock Nut
10	017506-45	1/2" NPSM Swivel Coupling
11	5EF-0006	Mechanical Mixing Valve
12	019806-40	Temperature Control Mixing Valve w/ Flexible 3/8" Compression Female Inlets
13	5EF-0005	Supply Hose, 9/16-24 Female x 1/2" NPSM



015425-45
Vandal Resistant Key



014734-45
#8 Spanner Bit

Product Specifications:

Single Hole Single Temperature Deck Mount Basin Faucet, Push Button Metering Cartridge, VR 0.5 GPM Non-Aerated Spray Device, Temperature Control Mixing Valve w/ Check Valves & 18" Flexible Stainless Steel Supply Hoses w/ 3/8" Compression Female Inlets

Product Compliance:

ASME A112.18.1 / CSA B125.1
NSF 61 - Section 9
NSF 372 (Low Lead Content)
ANSI A117.1 (ADA)