



T&S BRASS AND BRONZE WORKS, INC.
 2 Saddleback Cove / P.O. Box 1088
 Travelers Rest, SC 29690

Model No.
B-2360-WFK

Item No.

Travelers Rest, SC: 800-476-4103 • Simi Valley, CA: 800-423-0150 • Fax: 864-834-3518 • www.tsbrass.com



ADA Compliant

This Space for Architect/Engineer Approval

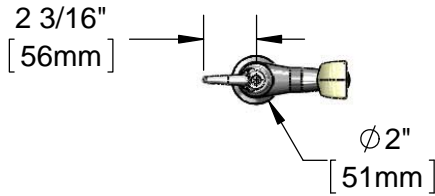
Job Name _____ Date _____

Model Specified _____ Quantity _____

Customer/Wholesaler _____

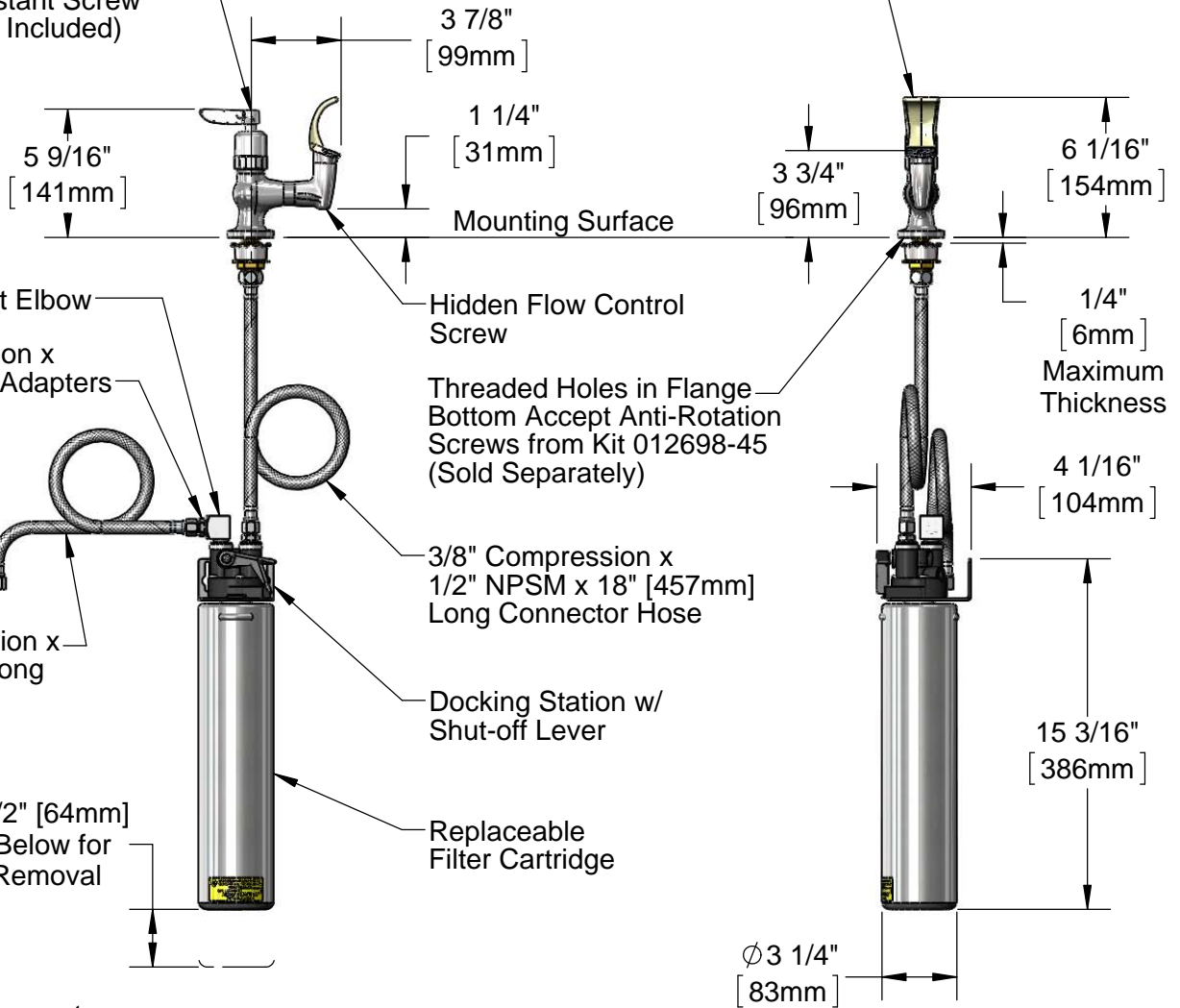
Contractor _____

Architect/Engineer _____



Fast Self-Closing Cartridge
 w/ Lever handle &
 Vandal Resistant Screw
 (Spanner Bit Included)

Rubber Mouth Guard



3/8" NPT Street Elbow

3/8" Compression x
 3/8" NPT Male Adapters

3/8" Compression x
 20" [508mm] Long
 Inlet Hose

Allow for 2 1/2" [64mm]
 Clearance Below for
 Cartridge Removal

Hidden Flow Control
 Screw

Threaded Holes in Flange
 Bottom Accept Anti-Rotation
 Screws from Kit 012698-45
 (Sold Separately)

3/8" Compression x
 1/2" NPSM x 18" [457mm]
 Long Connector Hose

Docking Station w/
 Shut-off Lever

Replaceable
 Filter Cartridge

1/4"
 [6mm]
 Maximum
 Thickness

4 1/16"
 [104mm]

15 3/16"
 [386mm]

Ø 3 1/4"
 [83mm]

Rough-In Requirement:
 Ø 1" [25mm] Mounting Hole

Product Specifications:
Fast Self-Closing Bubbler w/ Water Filtration Kit

Drawn DMH	Checked JRM	Approved JHB
Scale: 1:8		Date: 01/16/14



T&S BRASS AND BRONZE WORKS, INC.

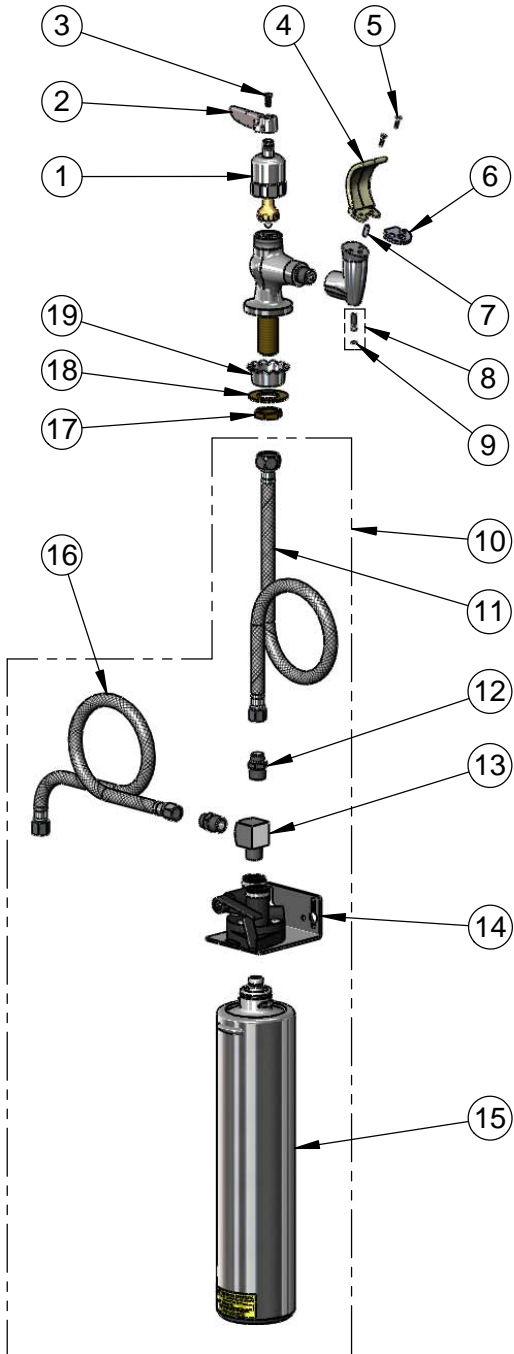
2 Saddleback Cove / P.O. Box 1088
Travelers Rest, SC 29690

Model No.

B-2360-WFK

Item No.

Travelers Rest, SC: 800-476-4103 • Simi Valley, CA: 800-423-0150 • Fax: 864-834-3518 • www.tsbrass.com



ITEM NO.	SALES NO.	DESCRIPTION
1	015317-40	Fast Self-Close Cartridge
2	001638-45	Lever Handle
3	011755-45	VR Screw w/ Spanner Bit
4	009595-45	Rubber Mouth Guard
5	009598-45	Mouth Guard Screw
6	009596-40	Mouth Guard Holder
7	009594-45	Flow Straightener
8	012697-45	Flow Control Screw
9	015319-45	O-Ring
10	B-WFK	Water Filtration Kit
11	5EF-0005	Supply Hose, 9/16-24 Female x 1/2" NPSM
12	006101-45	Adapter, 3/8" NPT x 9/16"-24 UN Male
13	148X	3/8 Street Elbow
14	B-WFDS	Water Filtration Docking Station
15	B-WFC	Filter Cartridge
16	013146-45	Supply Hose, 9/16-24 Fem (3/8" Comp)
17	002954-45	Shank Lock Nut
18	000999-45	Brass Lock Washer
19	001000-45	Rosette Washer



014075-45
#10 Spanner Bit
for VR Screw

Product Specifications:
Fast Self-Closing Bubbler w/ Water Filtration Kit

Drawn DMH	Checked JRM	Approved JHB
Scale: NTS		Date: 01/16/14