



T&S BRASS AND BRONZE WORKS, INC.

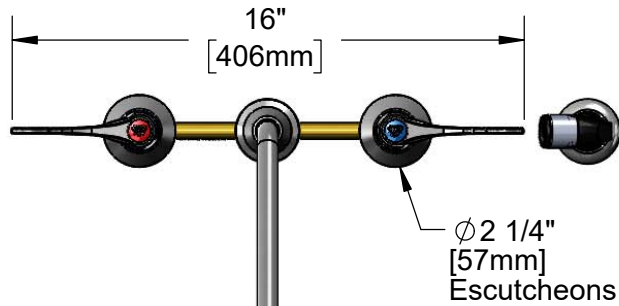
2 Saddleback Cove / P.O. Box 1088
Travelers Rest, SC 29690

Model No.

B-2347-166X

Item No.

Travelers Rest, SC: 800-476-4103 • Simi Valley, CA: 800-423-0150 • Fax: 864-834-3518 • www.tsbrass.com



This Space for Architect/Engineer Approval

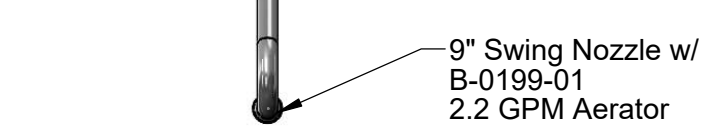
Job Name _____ Date _____

Model Specified _____ Quantity _____

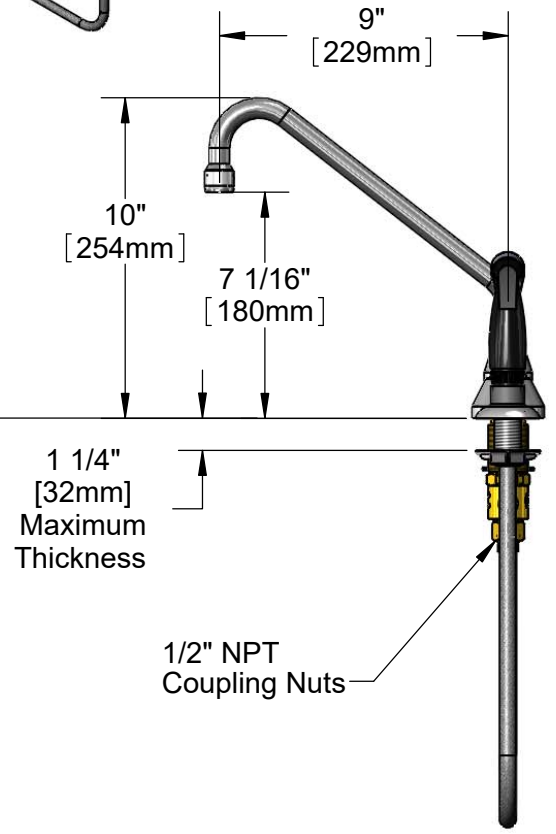
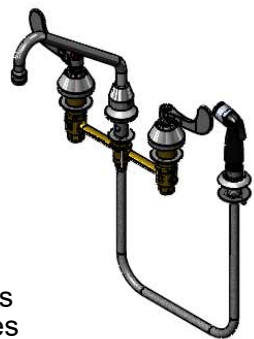
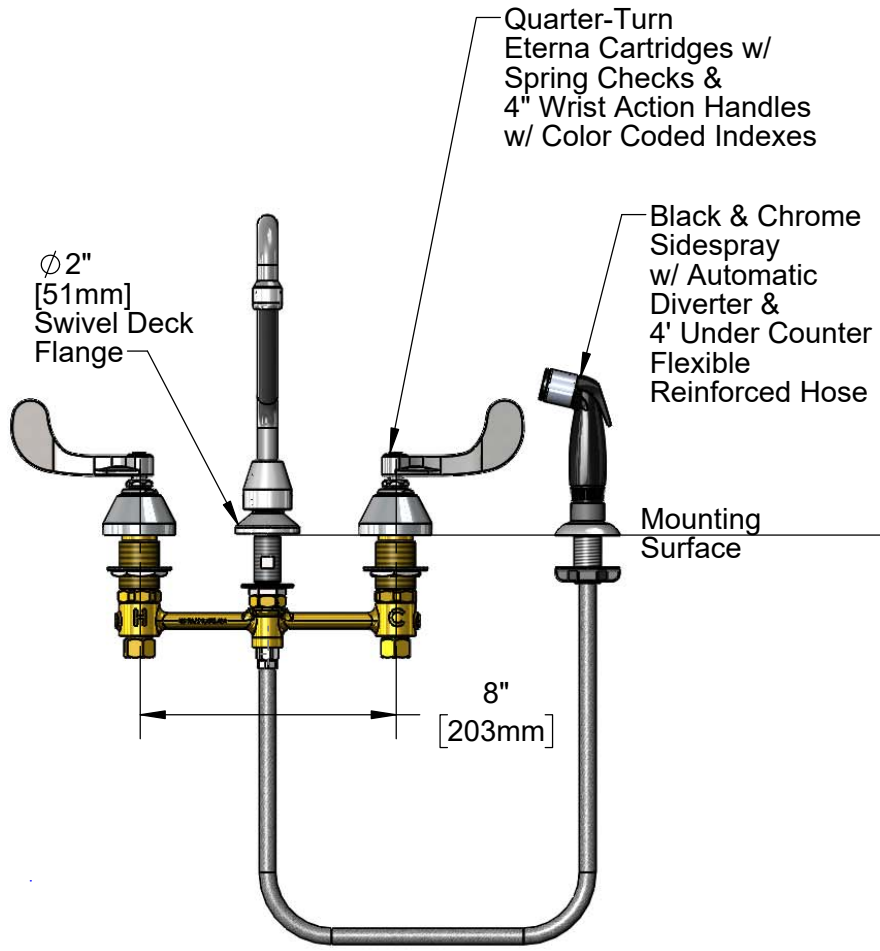
Customer/Wholesaler _____

Contractor _____

Architect/Engineer _____



ADA Compliant



Rough-In Requirement:
 Ø1" [25mm] for Center Shank
 Ø1 1/2" [38mm] for Hot/Cold Side

Product Specifications:
 8" Concealed Widespread EasyInstall Mixng Faucet, 4" Sidespray, 4" Wrist Action Handles, Quarter-Turn Eterna Cartridges w/ Spring Checks, 9" Swing Nozzle w/ 2.2 GPM Aerator and 1/2" NPT Male Inlets w/ Coupling Nuts

Product Compliance:
 ASME A112.18.1 / CSA B125.1
 NSF 61 - Section 9
 NSF 372 (Low Lead Content)
 ANSI A117.1 (ADA)



T&S BRASS AND BRONZE WORKS, INC.

2 Saddleback Cove / P.O. Box 1088
Travelers Rest, SC 29690

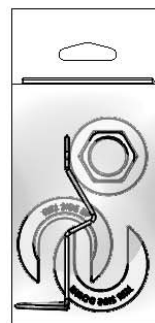
Model No.

B-2347-166X

Item No.

Travelers Rest, SC: 800-476-4103 • Simi Valley, CA: 800-423-0150 • Fax: 864-834-3518 • www.tsbrass.com

	ITEM NO.	SALES NO.	DESCRIPTION
	1	B-0199-01	Bell Escutcheon
	2	001193-19NS	Red Button Index, Press-in
	3	017208-40NS	Center Body Diverter
	4	002338-45	Diverter
	5	018506-19NS	Blue Button Index, Press-in
	6	000925-45	Lab Handle Screw
	7	B-WH4-NS	Wrist Action Handle (New Style)
	8	B-WH4C-NS	Wrist Action Handle, Blue Index & Screw
	9	016742-45	Center Flange Nut
	10	016745-45	Compression Nut & Fitting
	11	016752-40NS	EasyInstall, CWS Quarter-Turn Eterna Cartridge w/ Spring Check, LTC
	12	016749-45	Sidebody C-Washer
	13	016777-45	CWS Hanger
	14	001495-45	4' Sidespray w/ Hose Guide
	15	001496-45	Hose Guide
	16	000958-20	Coupling Nut
	17	016753-40NS	EasyInstall, CWS Quarter-Turn Eterna Cartridge w/ Spring Check, RTC
	18	016743-25	CWS Eterna Bonnet
	19	009002-40NS	Packing Assembly (New Style)
	20	001257-40NS	Bell Escutcheon
	21	B-WH4H-NS	Wrist Action Handle, Red Index & Screw



017245-40
Installation Repair Kit
Includes #9, (2)#12, & #13

Product Specifications:
8" Concealed Widespread EasyInstall Mixng Faucet, 4' Sidespray, 4" Wrist Action Handles, Quarter-Turn Eterna Cartridges w/ Spring Checks, 9" Swing Nozzle w/ 2.2 GPM Aerator and 1/2" NPT Male Inlets w/ Coupling Nuts

Product Compliance:
ASME A112.18.1 / CSA B125.1
NSF 61 - Section 9
NSF 372 (Low Lead Content)
ANSI A117.1 (ADA)