



T&S BRASS AND BRONZE WORKS, INC.

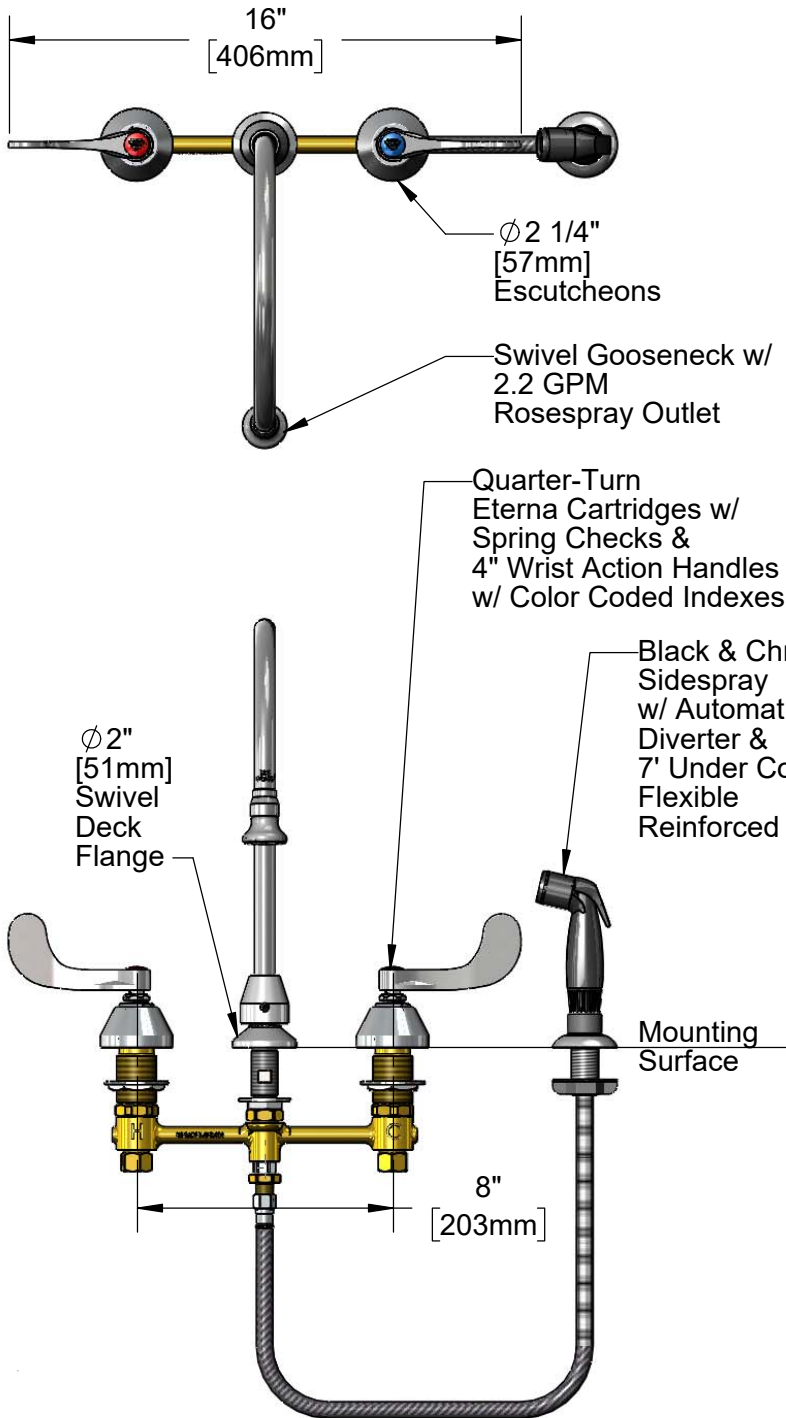
2 Saddleback Cove / P.O. Box 1088
Travelers Rest, SC 29690

Model No.

B-2347-07

Item No.

Travelers Rest, SC: 800-476-4103 • Simi Valley, CA: 800-423-0150 • Fax: 864-834-3518 • www.tsbrass.com



This Space for Architect/Engineer Approval

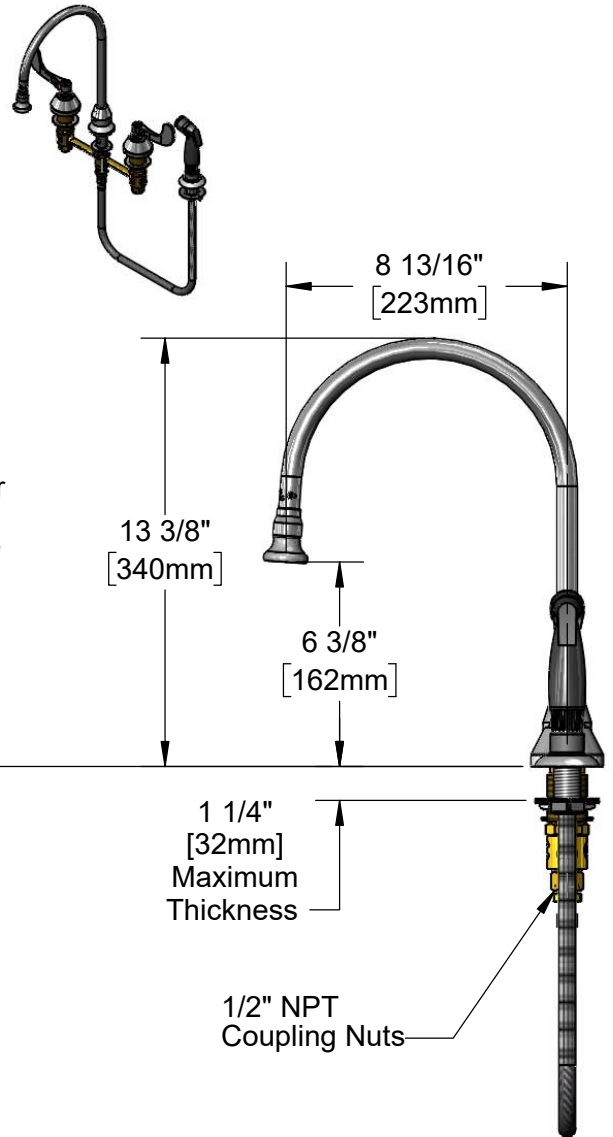
Job Name _____ Date _____

Model Specified _____ Quantity _____

Customer/Wholesaler _____

Contractor _____

Architect/Engineer _____



Rough-In Requirement:

- ϕ 1" [25mm] for Center Shank
- ϕ 1 1/2" [38mm] for Hot/Cold Side

Product Specifications:

8" Concealed Widespread EasyInstall Mixng Faucet, 7' Sidespray, 4" Wrist Action Handles, Quarter-Turn Eterna Cartridges w/ Spring Checks, Swivel Gooseneck w/ 2.2 GPM Rosespray Outlet and 1/2" NPT Male Inlets w/ Coupling Nuts

Product Compliance:

ASME A112.18.1 / CSA B125.1
NSF 61 - Section 9
NSF 372 (Low Lead Content)
ANSI A117.1 (ADA)



T&S BRASS AND BRONZE WORKS, INC.

2 Saddleback Cove / P.O. Box 1088
Travelers Rest, SC 29690

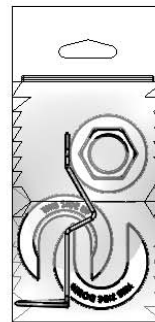
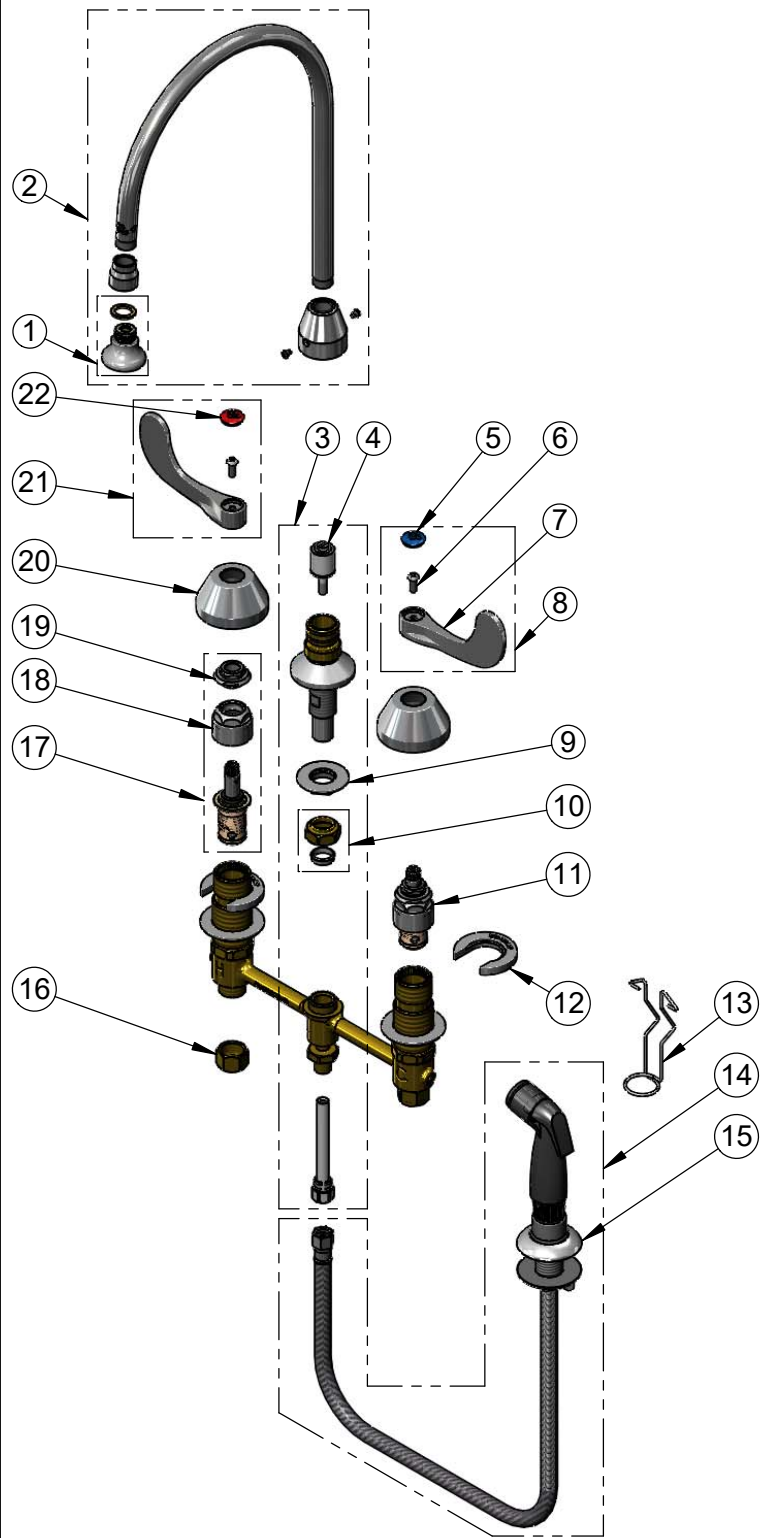
Model No.

B-2347-07

Item No.

Travelers Rest, SC: 800-476-4103 • Simi Valley, CA: 800-423-0150 • Fax: 864-834-3518 • www.tsbrass.com

| ITEM NO. | SALES NO. | DESCRIPTION |
|----------|-------------|---|
| 1 | B-0103 | 2.2 GPM Rosespray Outlet |
| 2 | 009436-40 | Assembly, B-2347 Nozzle |
| 3 | 017208-40NS | Center Body Diverter |
| 4 | 002338-45 | Diverter |
| 5 | 018506-19NS | Blue Button Index, Press-in |
| 6 | 000925-45 | Lab Handle Screw |
| 7 | B-WH4-NS | Wrist Action Handle (New Style) |
| 8 | B-WH4C-NS | Wrist Action Handle, Blue Index & Screw |
| 9 | 016742-45 | Center Nut Flange |
| 10 | 016745-45 | Compression Nut & Fitting |
| 11 | 016752-40NS | EasyInstall, CWS Quarter-Turn Eterna Cartridge w/ Spring Check, LTC |
| 12 | 016749-45 | C-Washer |
| 13 | 016777-45 | CWS Hanger |
| 14 | 013659-45 | 7' Sidespray w/ Hose Guide |
| 15 | 001496-45 | Hose Guide |
| 16 | 000958-20 | Coupling Nut |
| 17 | 016753-40NS | EasyInstall, CWS Quarter-Turn Eterna Cartridge w/ Spring Check, RTC |
| 18 | 016743-25NS | CWS Bonnet Assembly |
| 19 | 009002-40NS | Packing Assembly (New Style) |
| 20 | 001257-40NS | Bell Escutcheon |
| 21 | B-WH4H-NS | Wrist Action Handle, Red Index & Screw |
| 22 | 001193-19NS | Red Button Index, Press-in |



017245-40
Installation Repair Kit
Includes #9, (2)#12, & #13

Product Specifications:
8" Concealed Widespread EasyInstall Mixng Faucet, 7' Sidespray, 4" Wrist Action Handles, Quarter-Turn Eterna Cartridges w/ Spring Checks, Swivel Gooseneck w/ 2.2 GPM Rosespray Outlet and 1/2" NPT Male Inlets w/ Coupling Nuts

Product Compliance:
ASME A112.18.1 / CSA B125.1
NSF 61 - Section 9
NSF 372 (Low Lead Content)
ANSI A117.1 (ADA)