



T&S BRASS AND BRONZE WORKS, INC.

2 Saddleback Cove / P.O. Box 1088
Travelers Rest, SC 29690

Model No.

B-2347-06

Item No.

Travelers Rest, SC: 800-476-4103 • Simi Valley, CA: 800-423-0150 • Fax: 864-834-3518 • www.tsbrass.com

This Space for Architect/Engineer Approval

Job Name _____ Date _____

Model Specified _____ Quantity _____

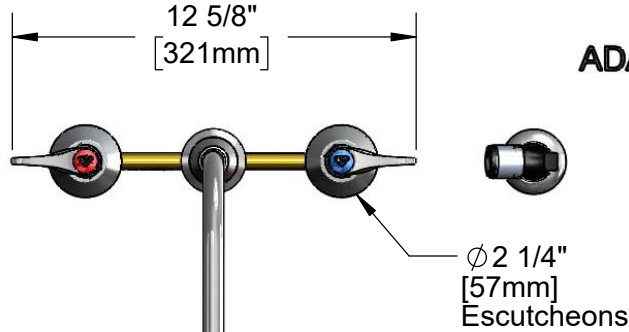
Customer/Wholesaler _____

Contractor _____

Architect/Engineer _____



ADA Compliant



Swing Nozzle w/
B-0199-01
2.2 GPM Aerator

Quarter-Turn
Eterna Cartridges w/
Spring Checks &
Lever Handles w/
Color Coded Indexes

Ø 2" [51mm]
Swivel Deck
Flange

Black & Chrome
Sidespray
w/ Automatic
Diverter &
4' Under Counter
Flexible
Reinforced Hose

Mounting
Surface

9 1/16" [231mm]

7 7/8" [200mm]

10 15/16" [279mm]

1 1/4" [36mm]
Maximum
Thickness

1/2" NPT
Coupling Nuts

8" [203mm]

Rough-In Requirement:

Ø 1" [25mm] for Center Shank

Ø 1 1/2" [38mm] for Hot/Cold Side

Product Specifications:

8" Concealed Widespread EasyInstall Mixing Faucet, 4' Sidespray, Lever Handles, Quarter-Turn Eterna Cartridges w/ Spring Checks, Swing Nozzle w/ 2.2 GPM Aerator, & 1/2" NPT Male Inlets w/ Coupling Nuts

Product Compliance:

ASME A112.18.1 / CSA B125.1
NSF 61 - Section 9
NSF 372 (Low Lead Content)
ANSI A117.1 (ADA)



T&S BRASS AND BRONZE WORKS, INC.

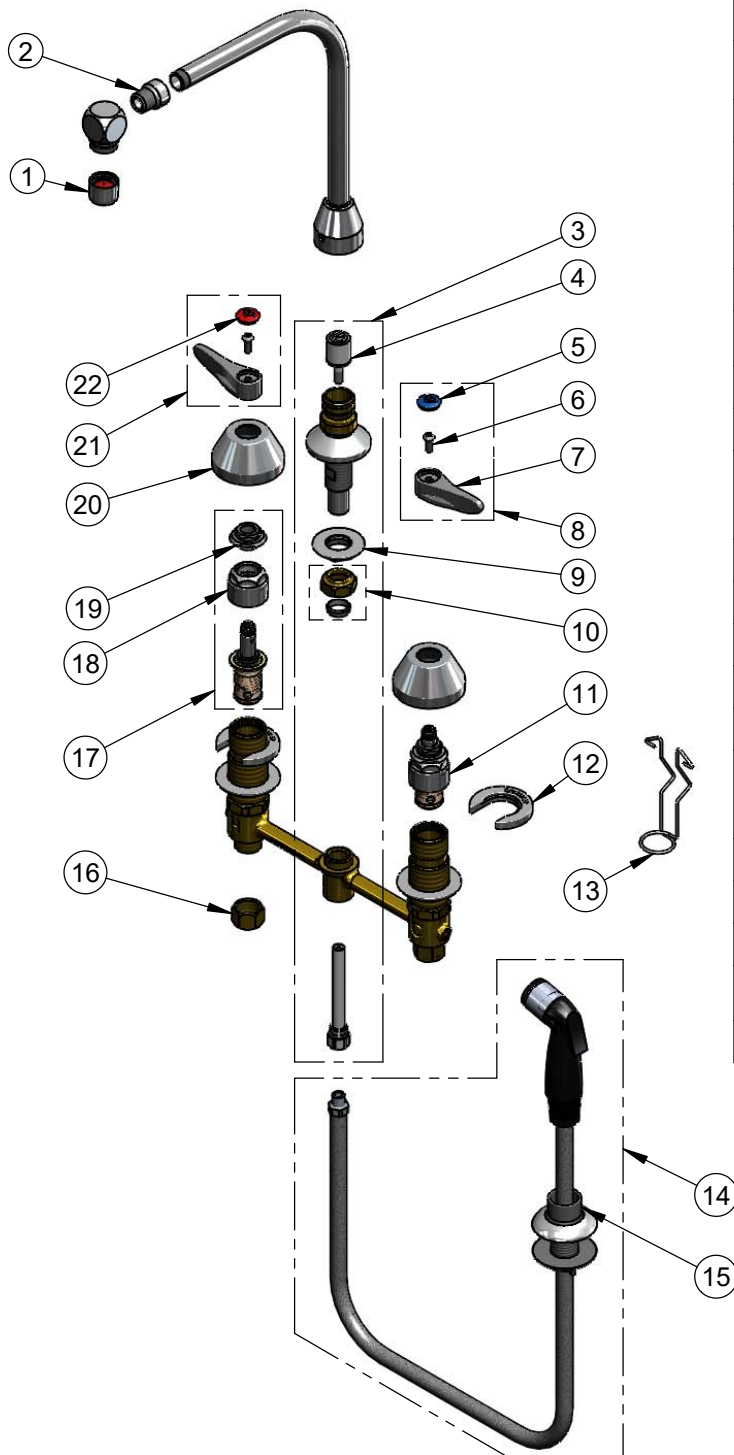
2 Saddleback Cove / P.O. Box 1088
Travelers Rest, SC 29690

Model No.

B-2347-06

Item No.

Travelers Rest, SC: 800-476-4103 • Simi Valley, CA: 800-423-0150 • Fax: 864-834-3518 • www.tsbrass.com



ITEM NO.	SALES NO.	DESCRIPTION
1	B-0199-01	2.2 GPM Aerator
2	000564-25	Adapter 3/8" NPT M x 5/8-27 F
3	017208-40NS	Center Body Diverter
4	002338-45	Diverter
5	018506-19NS	Blue Button Index, Press-in
6	000925-45	Lab Handle Screw
7	001638-45NS	Lever Handle (New Style)
8	001636-45NS	Lever Handle, Blue Index & Screw
9	016742-45	Center Flange Nut
10	016745-45	Compression Nut & Fitting
11	016752-40NS	EasyInstall, CWS Quarter-Turn Eterna Cartridge w/ Spring Check, LTC
12	016749-45	C-Washer
13	016777-45	CWS Hanger
14	001495-45	4' Side Spray w/ Hose Guide
15	001496-45	Hose Guide
16	000958-20	Coupling Nut
17	016753-40NS	EasyInstall, CWS Quarter-Turn Eterna Cartridge w/ Spring Check, RTC
18	016743-25NS	CWS Eterna Bonnet
19	009002-40NS	Packing Assembly (New Style)
20	001257-40NS	Bell Escutcheon
21	001637-45NS	Lever Handle, Red Index & Screw
22	001193-19NS	Red Button Index, Press-in



017245-40
Installation Repair Kit
Includes #9, (2)#12, & #13

Product Specifications:

8" Concealed Widespread EasyInstall Mixing Faucet, 4' Sidespray, Lever Handles, Quarter-Turn Eterna Cartridges w/ Spring Checks, Swing Nozzle w/ 2.2 GPM Aerator, & 1/2" NPT Male Inlets w/ Coupling Nuts

Product Compliance:

ASME A112.18.1 / CSA B125.1
NSF 61 - Section 9
NSF 372 (Low Lead Content)
ANSI A117.1 (ADA)