



T&S BRASS AND BRONZE WORKS, INC.

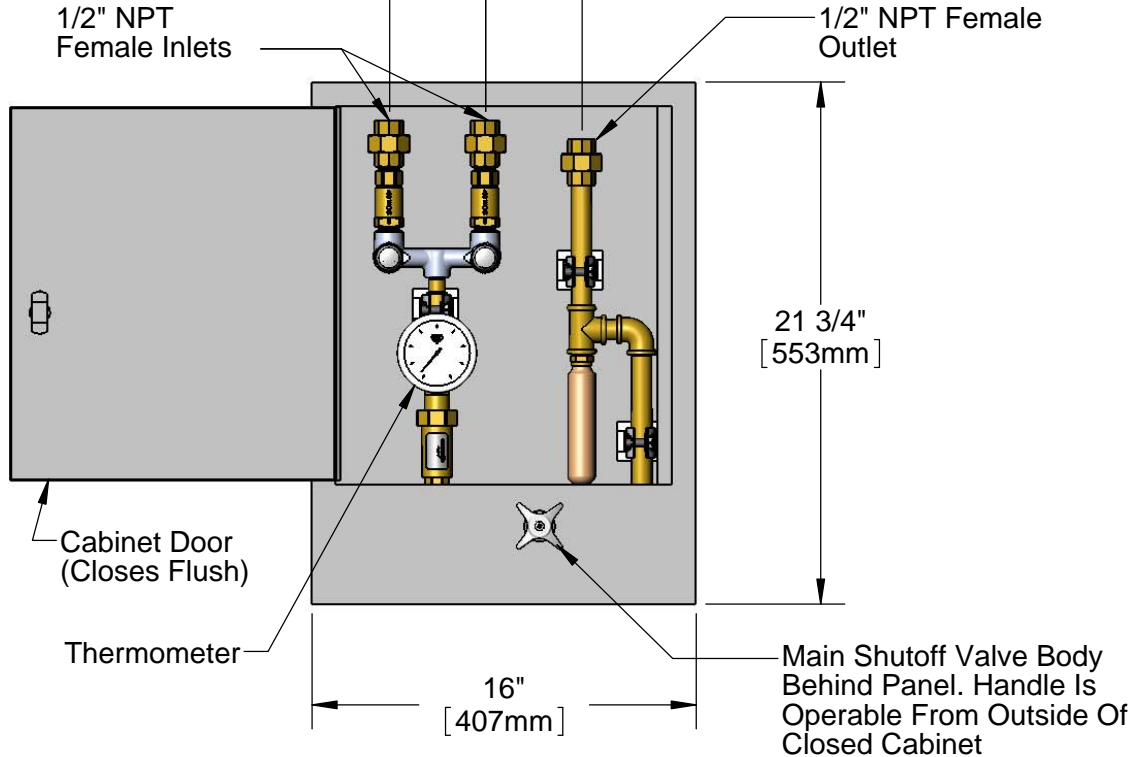
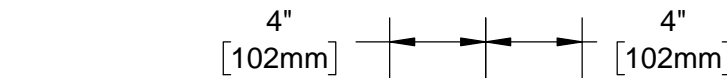
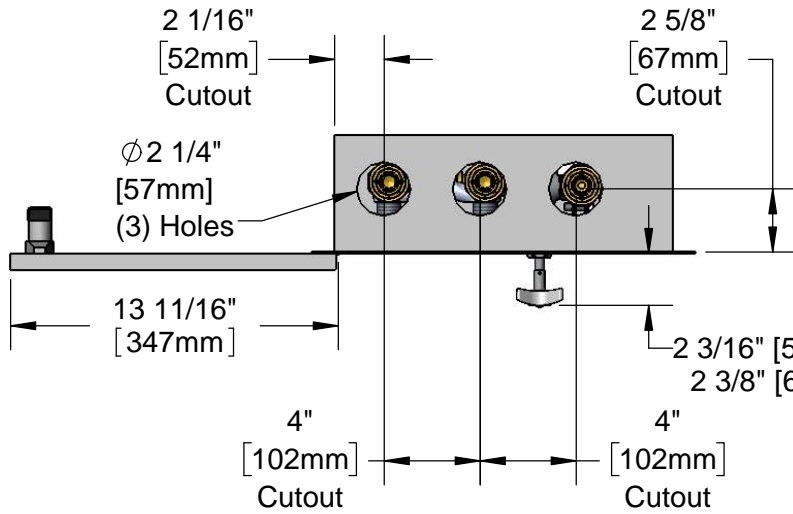
2 Saddleback Cove / P.O. Box 1088
Travelers Rest, SC 29690

Model No.

B-2339-LR

Item No.

Travelers Rest, SC: 800-476-4103 • Simi Valley, CA: 800-423-0150 • Fax: 864-834-3518 • www.tsbrass.com



This Space for Architect/Engineer Approval

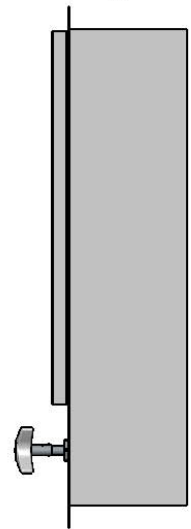
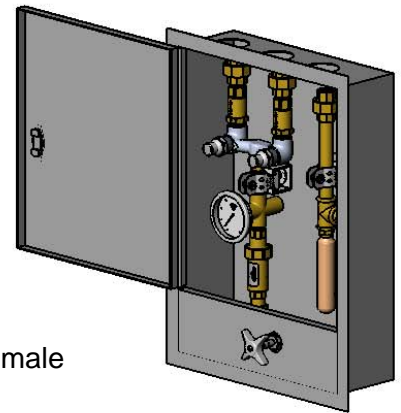
Job Name _____ Date _____

Model Specified _____ Quantity _____

Customer/Wholesaler _____

Contractor _____

Architect/Engineer _____



Cabinet Rough-In:
20 1/4" H x 14 1/4" W x 5" D

Notice:
This Product is Not Designed Nor Rated For Potable / Drinking Water Applications.

Product Specifications:

Water Control Cabinet w/ Control Valve, Dual Check Valves, Thermometer, Water Hammer Arrestor & 1/2" NPT Female Connections

Product Compliance:

NSF 61 Exempt (Non-Potable)
ASSE 1024 (VB)
ASSE 1010 (Arrestor)



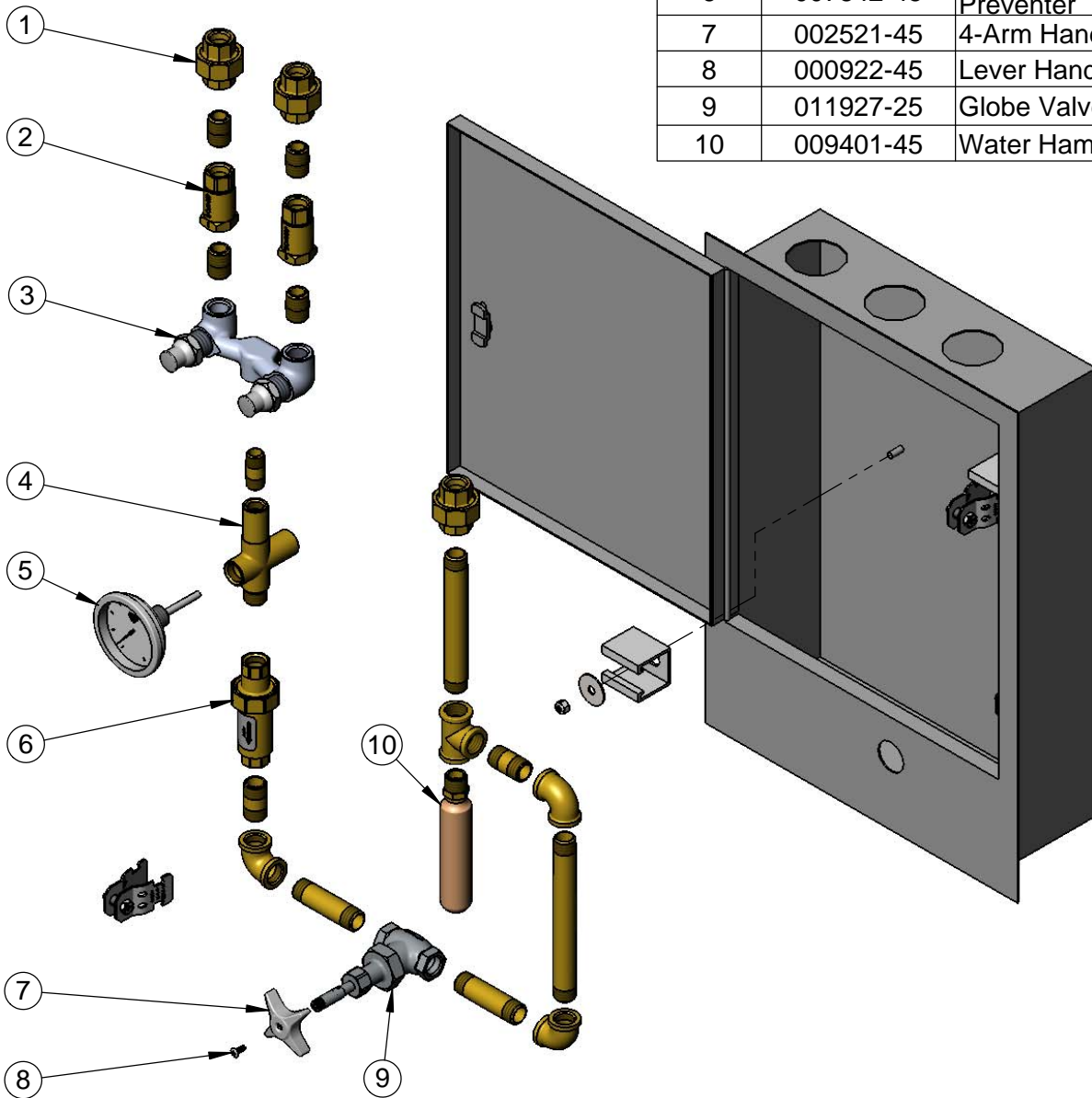
T&S BRASS AND BRONZE WORKS, INC.
 2 Saddleback Cove / P.O. Box 1088
 Travelers Rest, SC 29690

Model No.
B-2339-LR

Item No.

Travelers Rest, SC: 800-476-4103 • Simi Valley, CA: 800-423-0150 • Fax: 864-834-3518 • www.tsbrass.com

ITEM NO.	SALES NO.	DESCRIPTION
1	006649-20	Union, 1/2" 250#
2	B-CVH1-2	1/2" Check Valve
3	0RK1	Mixing Valve
4	B-2339-TEE	Thermometer Tee
5	003799-45	Thermometer, Bi-Metal
6	007842-45	Dual Check Valve Backflow Preventer
7	002521-45	4-Arm Handle
8	000922-45	Lever Handle Screw
9	011927-25	Globe Valve, 1/2" NPT
10	009401-45	Water Hammer Arrestor



Product Specifications:
 Water Control Cabinet w/ Control Valve, Dual Check Valves, Thermometer,
 Water Hammer Arrestor & 1/2" NPT Female Connections

Product Compliance:
 NSF 61 Exempt (Non-Potable)
 ASSE 1024 (VB)
 ASSE 1010 (Arrestor)