



**T&S BRASS AND BRONZE WORKS, INC.**  
 2 Saddleback Cove / P.O. Box 1088  
 Travelers Rest, SC 29690

Model No.  
**B-2339-7122C01J**

Item No.

Travelers Rest, SC: 800-476-4103 • Simi Valley, CA: 800-423-0150 • Fax: 864-834-3518 • www.tsbrass.com

This Space for Architect/Engineer Approval

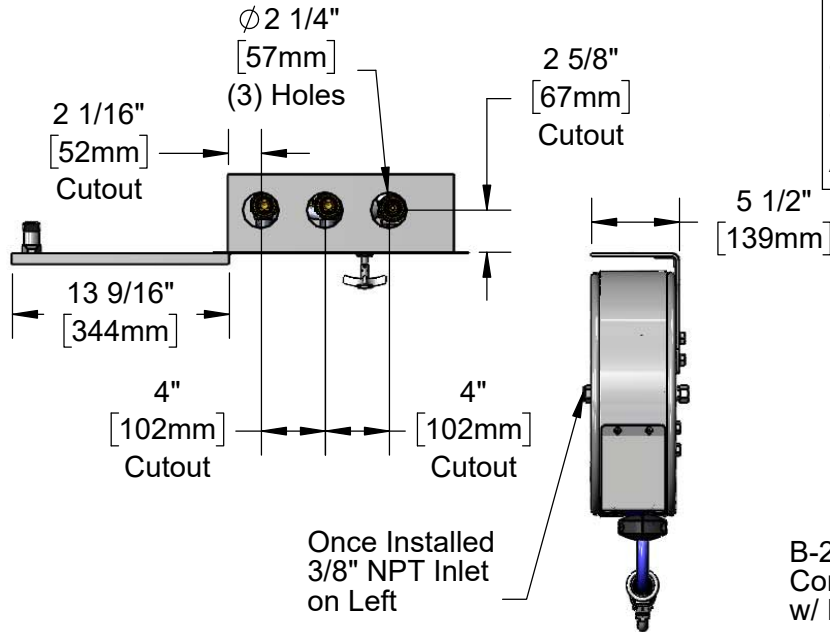
Job Name \_\_\_\_\_ Date \_\_\_\_\_

Model Specified \_\_\_\_\_ Quantity \_\_\_\_\_

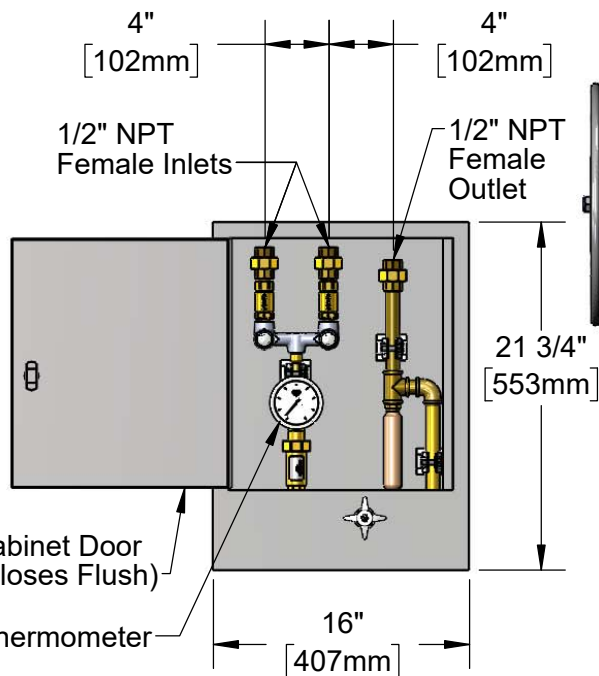
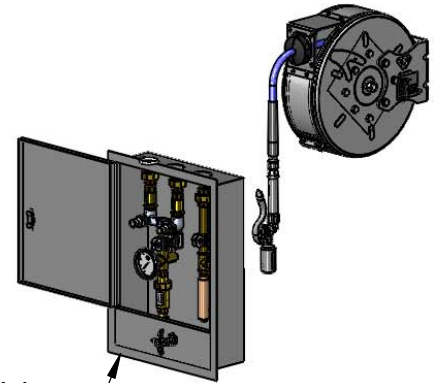
Customer/Wholesaler \_\_\_\_\_

Contractor \_\_\_\_\_

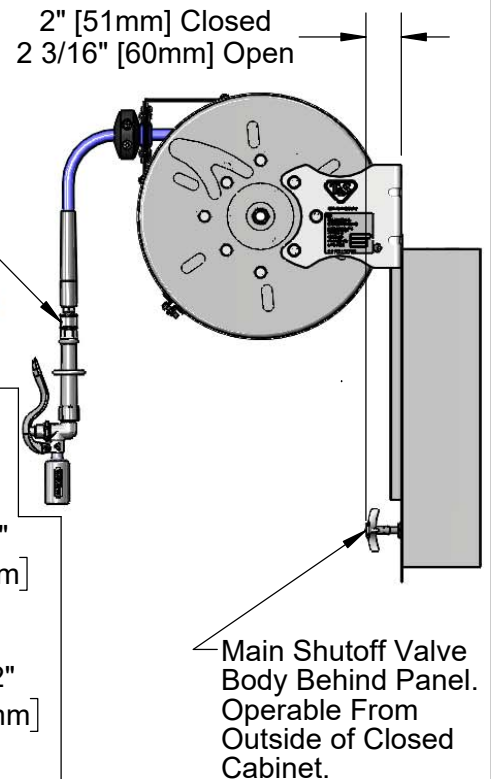
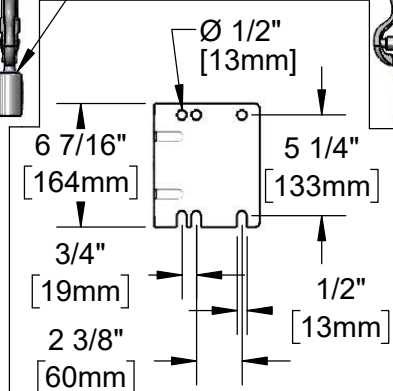
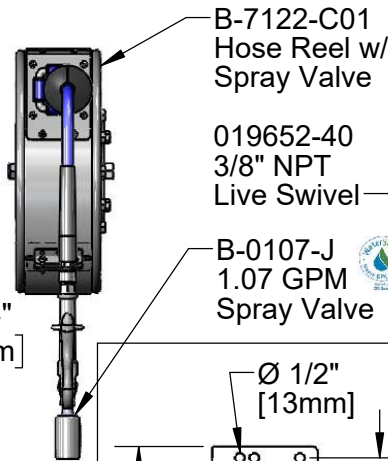
Architect/Engineer \_\_\_\_\_



B-2339-LR  
 Control Cabinet  
 w/ Dual Check Valves



Cabinet Rough-In Requirement:  
 20 1/4" H x 14 1/4" W x 5" D



Main Shutoff Valve  
 Body Behind Panel.  
 Operable From  
 Outside of Closed  
 Cabinet.

Product Specifications:  
 Enclosed Hose Reel w/ 30' of 3/8" Hose, 1.07 GPM Spray Valve w/ Swivel,  
 Rinse Control Cabinet w/ Control Valve, Dual Check Valves, Thermometer  
 & Water Hammer Arrestor

Product Compliance:  
 ASSE 1024 (VB)  
 NSF 61 Exempt (Non-Potable)  
 EPA Act 2005 Compliant (PRSV)  
 EPA WaterSense (PRSV)



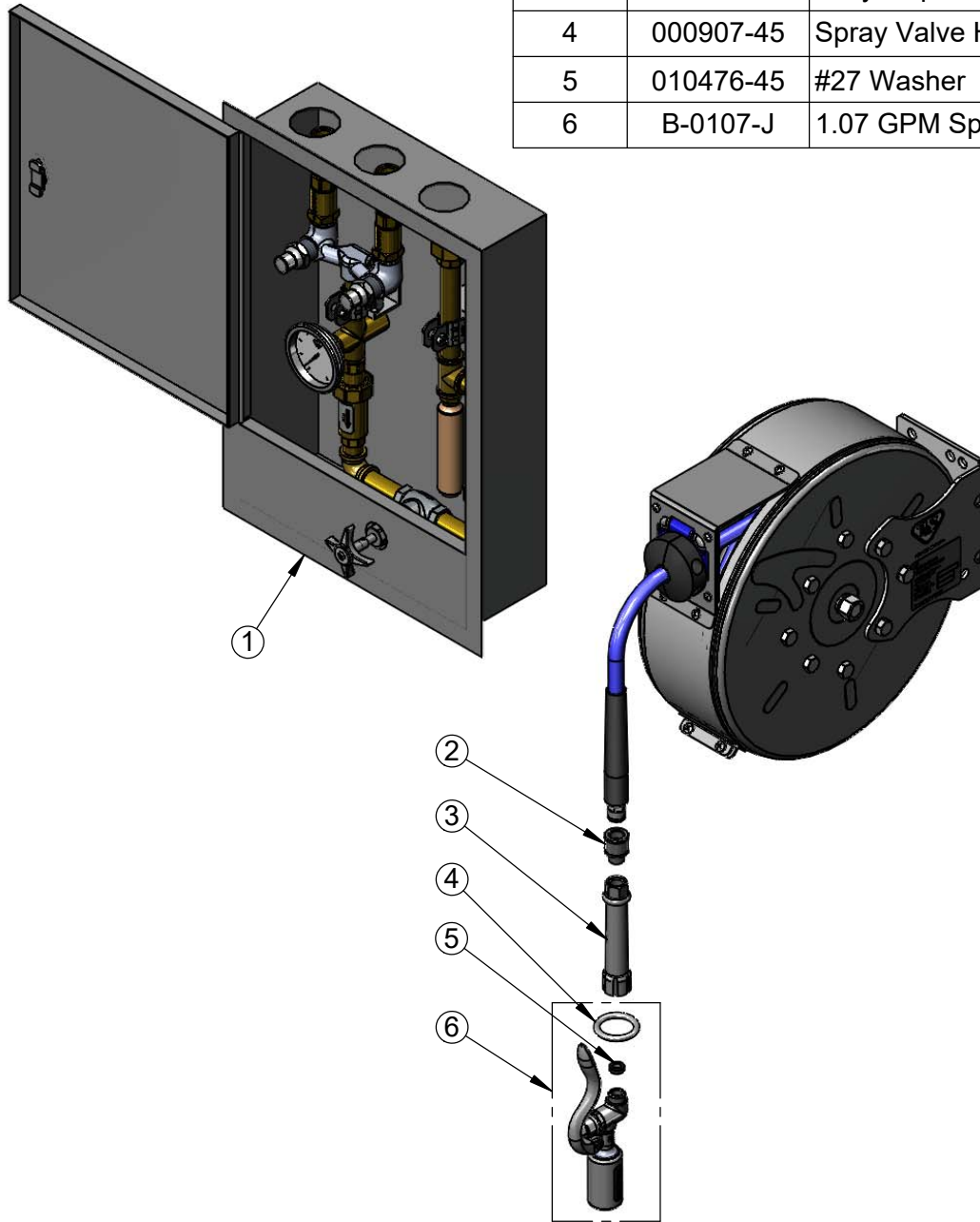
**T&S BRASS AND BRONZE WORKS, INC.**  
 2 Saddleback Cove / P.O. Box 1088  
 Travelers Rest, SC 29690

Model No.  
**B-2339-7122C01J**

Item No.

Travelers Rest, SC: 800-476-4103 • Simi Valley, CA: 800-423-0150 • Fax: 864-834-3518 • www.tsbrass.com

ITEM NO.	SALES NO.	DESCRIPTION
1	B-2339-LR	Reel Control Cabinet w/ Control Valve, Dual Check Valves & Thermometer
2	019652-40	3/8" NPT Live Swivel
3	002881-40	Gray Grip Handle
4	000907-45	Spray Valve Hold Down Ring
5	010476-45	#27 Washer
6	B-0107-J	1.07 GPM Spray Valve



**Product Specifications:**  
 Enclosed Hose Reel w/ 30' of 3/8" Hose, 1.07 GPM Spray Valve w/ Swivel, Rinse Control Cabinet w/ Control Valve, Dual Check Valves, Thermometer & Water Hammer Arrestor

**Product Compliance:**  
 ASSE 1024 (VB)  
 NSF 61 Exempt (Non-Potable)  
 EPA Act 2005 Compliant (PRSV)  
 EPA WaterSense (PRSV)