



T&S BRASS AND BRONZE WORKS, INC.
 2 Saddleback Cove / P.O. Box 1088
 Travelers Rest, SC 29690

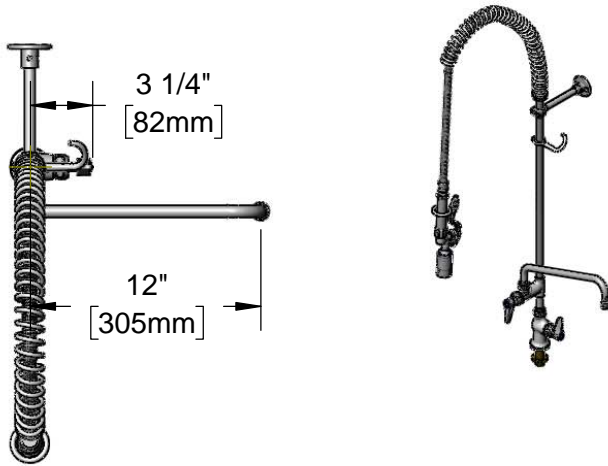
Model No.
B-2285-12-CR-BC

Item No.

Travelers Rest, SC: 800-476-4103 • Simi Valley, CA: 800-423-0150 • Fax: 864-834-3518 • www.tsbrass.com

This Space for Architect/Engineer Approval

Job Name _____ Date _____
 Model Specified _____ Quantity _____
 Customer/Wholesaler _____
 Contractor _____
 Architect/Engineer _____



44" Flexible Stainless Steel Hose w/ Spring & Spray Valve

B-0109-01 Wall Bracket

Items Not Shown For Clarity

Finger Hook

3/8" NPT x 24" Riser

062X 12X Swivel Gooseneck w/ Stream Regulator Outlet

B-0107-C 0.65 GPM Low Flow Spray Valve



14 1/8" [358mm]

46 3/4" [1187mm]

EasyInstall Lock Nut & Bushing

Quarter-Turn Cerama Cartridge w/ Check Valve & Lever Handle w/ Blue Color Coded Index

2 5/8" [67mm]

16 1/8" [409mm]

15 3/16" [386mm]

2 7/16" [62mm]

Mounting Surface

Ø 2" [51mm] Flange w/ 1/2" NPSM Male Inlet

150A Optional Tailpiece & Nut For 1/4" NPT Connection (Included)

1 5/8" [41mm] Maximum Thickness

Rough-In Requirement:
 Ø 1" [25mm] Mounting Hole

Product Specifications:

Pre-Rinse Unit: EasyInstall Single Hole Single Temperature Deck Mount Faucet, Quarter-Turn Cerama Cartridge w/ Check Valve, Lever Handle, EasyInstall Add-On Faucet w/ 12" Swing Nozzle, 44" Flexible Stainless Steel Hose, 0.65 GPM Low Flow Spray Valve, 6" Wall Bracket & 1/2" NPSM Male Inlet

Product Compliance:

ASME A112.18.1 / CSA B125.1
 NSF 61 - Section 9
 NSF 372 (Low Lead Content)
 EPA Act 2005 (PRSV)
 EPA WaterSense (PRSV)



T&S BRASS AND BRONZE WORKS, INC.

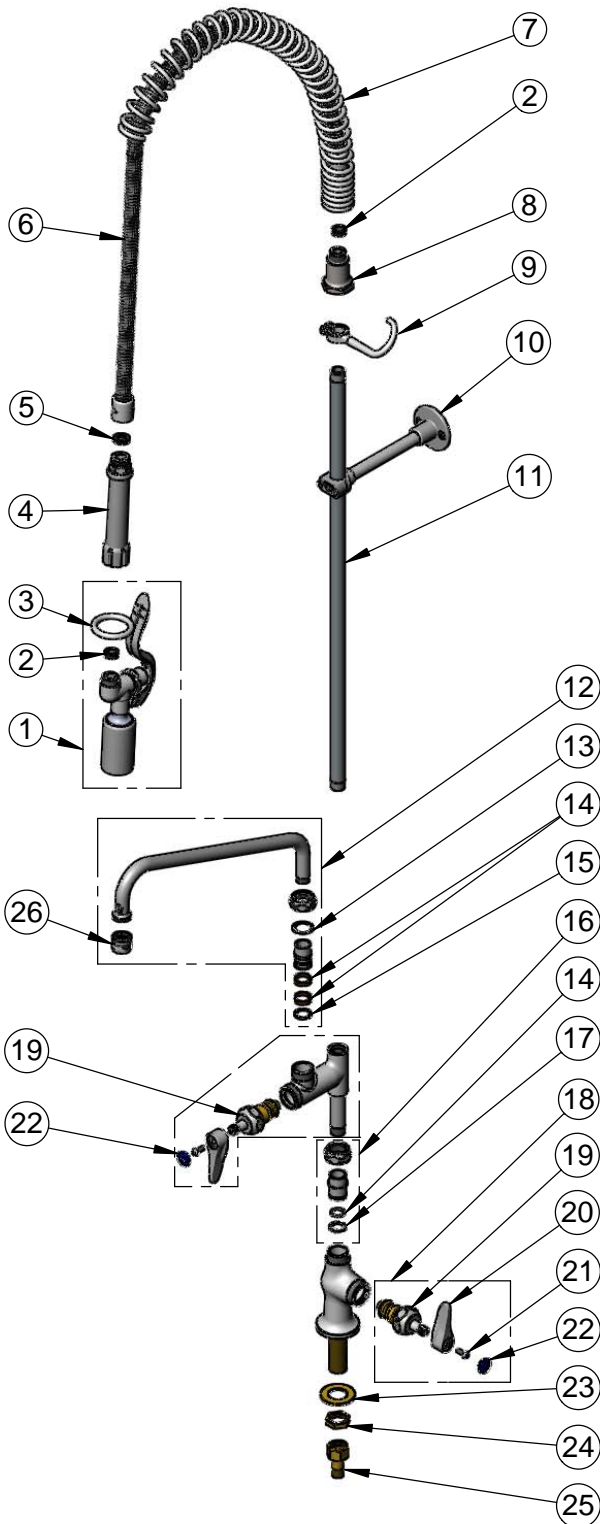
2 Saddleback Cove / P.O. Box 1088
Travelers Rest, SC 29690

Model No.

B-2285-12-CR-BC

Item No.

Travelers Rest, SC: 800-476-4103 • Simi Valley, CA: 800-423-0150 • Fax: 864-834-3518 • www.tsbrass.com



ITEM NO.	SALES NO.	DESCRIPTION
1	B-0107-C	0.65 GPM Low Flow Spray Valve
2	010476-45	#27 Washer
3	000907-45	Spray Valve Hold Down Ring
4	002987-40	Grip Handle
5	001014-45	Washer, B-0100 Hose Barrel
6	B-0044-H2A	44" Flexible Stainless Steel Hose, Less Handle
7	000888-45	EasyInstall Overhead Spring
8	000821-40	Spring Body
9	004R	Finger Hook
10	B-0109-01	6" Wall Bracket
11	000372-40	3/8" NPT x 24" Riser
12	062X	12" Swing Nozzle
13	009538-45	Swivel Washer
14	011429-45	Swivel Sleeves (2)
15	001074-45	O-Ring
16	EZ-K	EasyInstall Kit: Nut, Bushing, O-ring & Lock Washer
17	014200-45	Star Washer, Anti-Rotation
18	019641-25	Quarter-Turn Cerama Cartridge RTC w/ Check Valve, Handle, Blue Index & Screw
19	012394-25NS	Quarter-Turn Cerama Cartridge w/ Check Valve, RTC
20	001638-45NS	Lever Handle (New Style)
21	000925-45	Lab Handle Screw
22	018506-19NS	Blue Button Index, Press-in
23	000999-45	Brass Lock Washer
24	002954-45	Shank Lock Nut
25	150A	1/4" NPT Tailpiece & Nut
26	B-PT	Full Flow Stream Regulator, 55/64-27

Product Specifications:

Pre-Rinse Unit: EasyInstall Single Hole Single Temperature Deck Mount Faucet, Quarter-Turn Cerama Cartridge w/ Check Valve, Lever Handle, EasyInstall Add-On Faucet w/ 12" Swing Nozzle, 44" Flexible Stainless Steel Hose, 0.65 GPM Low Flow Spray Valve, 6" Wall Bracket & 1/2" NPSM Male Inlet

Product Compliance:

ASME A112.18.1 / CSA B125.1
NSF 61 - Section 9
NSF 372 (Low Lead Content)
EPA Act 2005 (PRSV)
EPA WaterSense (PRSV)