



# T&S BRASS AND BRONZE WORKS, INC.

2 Saddleback Cove / P.O. Box 1088  
Travelers Rest, SC 29690

Model No.

**B-2271**

Item No.

Travelers Rest, SC: 800-476-4103 • Simi Valley, CA: 800-423-0150 • Fax: 864-834-3518 • www.tsbrass.com



**ADA Compliant**

This Space for Architect/Engineer Approval

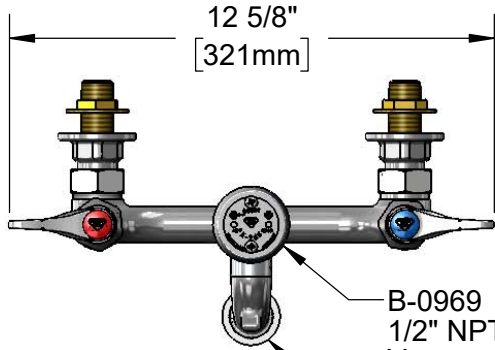
Job Name \_\_\_\_\_ Date \_\_\_\_\_

Model Specified \_\_\_\_\_ Quantity \_\_\_\_\_

Customer/Wholesaler \_\_\_\_\_

Contractor \_\_\_\_\_

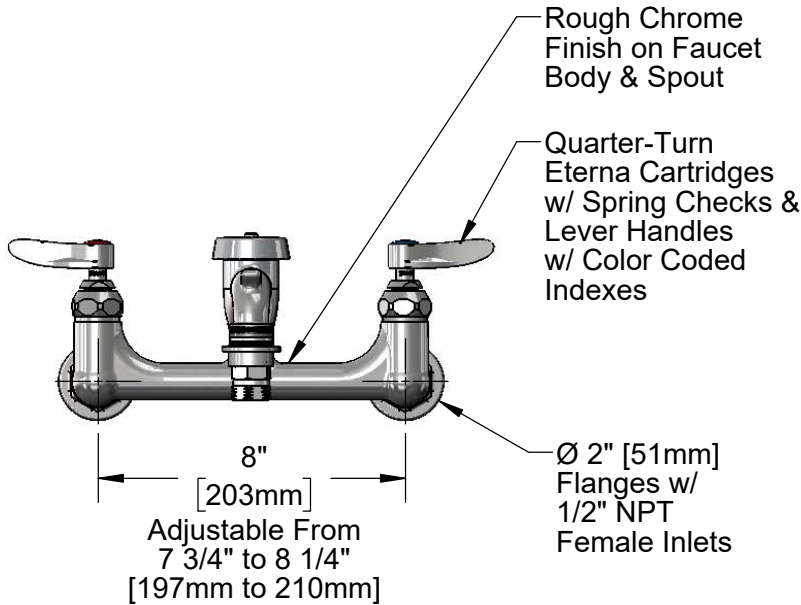
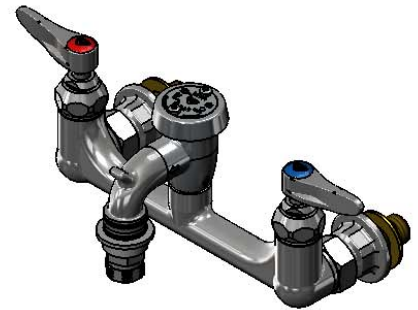
Architect/Engineer \_\_\_\_\_



12 5/8"  
[321mm]

B-0969  
1/2" NPT Atmospheric  
Vacuum Breaker

Male Garden Hose Outlet  
w/ Quick Disconnect  
Fitting

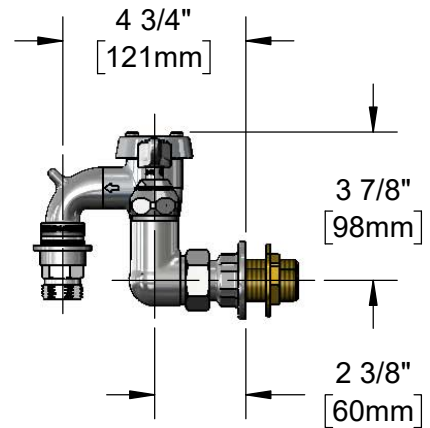


Rough Chrome  
Finish on Faucet  
Body & Spout

Quarter-Turn  
Eterna Cartridges  
w/ Spring Checks &  
Lever Handles  
w/ Color Coded  
Indexes

Ø 2" [51mm]  
Flanges w/  
1/2" NPT  
Female Inlets

8"  
[203mm]  
Adjustable From  
7 3/4" to 8 1/4"  
[197mm to 210mm]



4 3/4"  
[121mm]

3 7/8"  
[98mm]

2 3/8"  
[60mm]

Rough-In Requirement:  
(2) Ø 1" [25mm] Mounting Holes



B-0425-M  
1/2" NPT  
Supply Nipple Kit (2)  
(Included)

**Product Specifications:**

8" Wall Mount Rough Chrome Service Sink Mixing Faucet, Quarter-Turn Eterna Cartridges w/ Spring Checks, Lever Handles, Male Garden Hose Outlet w/ Quick Disconnect Fitting, 1/2" NPT Vacuum Breaker & 1/2" NPT Male Inlets

**Product Compliance:**

ASME A112.18.1 / CSA B125.1  
NSF 61 - Section 9  
NSF 372 (Low Lead Content)  
ASSE 1001 (VB)  
ANSI A117.1 (ADA)



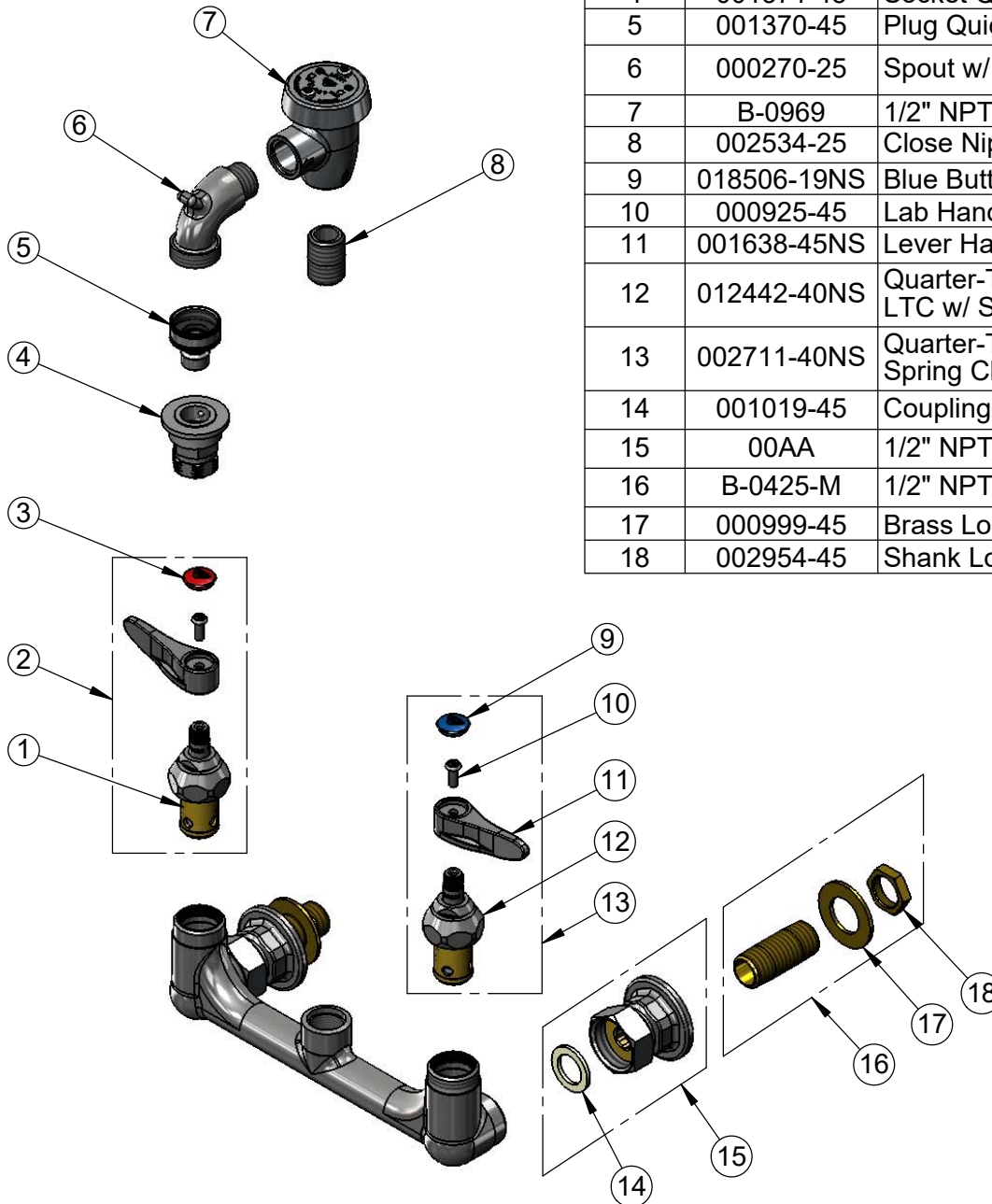
**T&S BRASS AND BRONZE WORKS, INC.**  
 2 Saddleback Cove / P.O. Box 1088  
 Travelers Rest, SC 29690

Model No.  
**B-2271**

Item No.

Travelers Rest, SC: 800-476-4103 • Simi Valley, CA: 800-423-0150 • Fax: 864-834-3518 • www.tsbrass.com

ITEM NO.	SALES NO.	DESCRIPTION
1	012443-40NS	Quarter-Turn Eterna Cartridge, RTC w/ Spring Check
2	002712-40NS	Quarter-Turn Eterna Cartridge, RTC w/ Spring Check, Handle, Index & Screw
3	001193-19NS	Red Button Index, Press-in
4	001371-45	Socket Quick Connect
5	001370-45	Plug Quick Disconnect
6	000270-25	Spout w/ Garden Hose Male Outlet
7	B-0969	1/2" NPT Vacuum Breaker
8	002534-25	Close Nipple, 1/2" NPT
9	018506-19NS	Blue Button Index, Press-in
10	000925-45	Lab Handle Screw
11	001638-45NS	Lever Handle (New Style)
12	012442-40NS	Quarter-Turn Eterna Cartridge, LTC w/ Spring Check
13	002711-40NS	Quarter-Turn Eterna Cartridge, LTC w/ Spring Check, Handle, Index & Screw
14	001019-45	Coupling Nut Washer
15	00AA	1/2" NPT Female Eccentric Flange
16	B-0425-M	1/2" NPT Supply Nipple Kit (2)
17	000999-45	Brass Lock Washer
18	002954-45	Shank Lock Nut



**Product Specifications:**

8" Wall Mount Rough Chrome Service Sink Mixing Faucet, Quarter-Turn Eterna Cartridges w/ Spring Checks, Lever Handles, Male Garden Hose Outlet w/ Quick Disconnect Fitting, 1/2" NPT Vacuum Breaker & 1/2" NPT Male Inlets

**Product Compliance:**

ASME A112.18.1 / CSA B125.1  
 NSF 61 - Section 9  
 NSF 372 (Low Lead Content)  
 ASSE 1001 (VB)  
 ANSI A117.1 (ADA)