



T&S BRASS AND BRONZE WORKS, INC.

2 Saddleback Cove / P.O. Box 1088
Travelers Rest, SC 29690

Model No.
B-1459-7112-QDS

Item No.

Travelers Rest, SC: 800-476-4103 • Simi Valley, CA: 800-423-0150 • Fax: 864-834-3518 • www.tsbrass.com

This Space for Architect/Engineer Approval

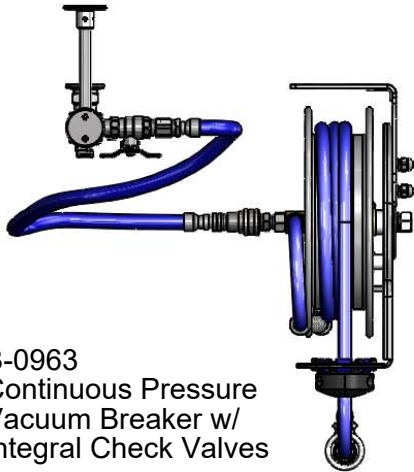
Job Name _____ Date _____

Model Specified _____ Quantity _____

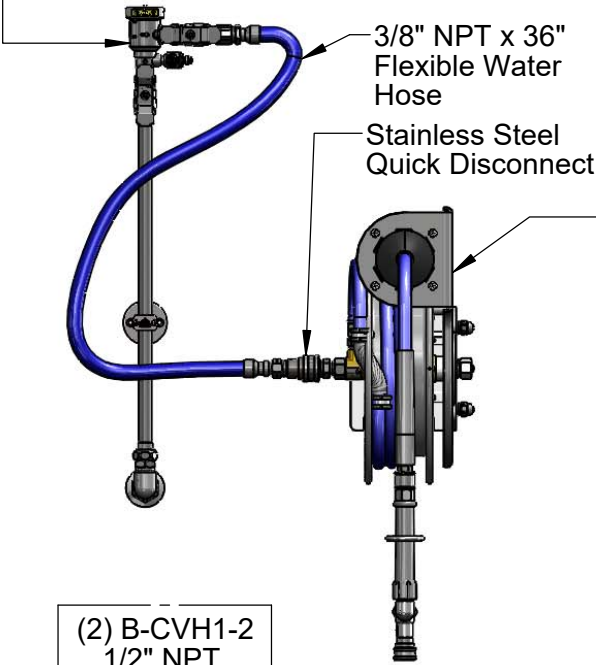
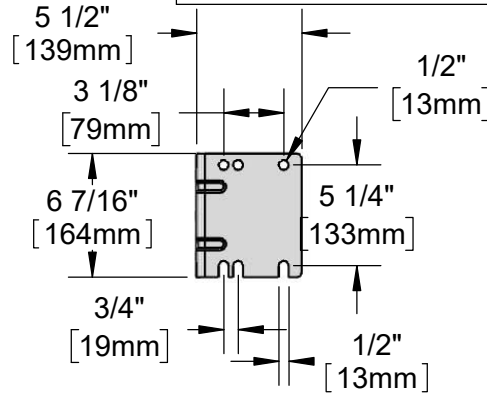
Customer/Wholesaler _____

Contractor _____

Architect/Engineer _____



B-0963
Continuous Pressure
Vacuum Breaker w/
Integral Check Valves



3/8" NPT x 36"
Flexible Water
Hose

Stainless Steel
Quick Disconnect

Open
Stainless Steel
Hose Reel
w/ 15' of 3/8" Hose

019652-40
3/8" NPT
Live Swivel

B-1420
Quick Connect
Socket &
Squeeze Valve
(EPAAct2005
Non-Compliant)

Mounting
Surface

B-0109-01
6" Wall
Bracket

1/2" NPT
Female Inlet

(2) **B-CVH1-2**
1/2" NPT
Check Valves
(Included)



B-0512
3" Concealed Mixing Faucet
& 4-Arm Handles
w/ Color-Coded Indexes
(Included)



B-1421
Spray Head
(EPAAct2005
Compliant)



B-1422
Spray Head
(EPAAct2005
Non-Compliant)



B-1423
Spray Head
(EPAAct2005
Non-Compliant)



B-1428
0.65 GPM
Fan Jet Nozzle
(EPAAct2005
Compliant)



BR10
Brush
Attachment
(EPAAct2005
Compliant)

Product Specifications:

Open Stainless Steel Hose Reel w/ 15' of 3/8" Hose, Quick Connect Spray Valve w/ Spray Accessories w/ Swivel, Vacuum Breaker, 3/8" NPT Flexible Water Hose, 3" Concealed Mixing Valve & Check Valves

Product Compliance:

NSF 61 Exempt (Non-Potable)
EPAAct 2005 (PRSV), See Above
ASSE 1056 (VB)



T&S BRASS AND BRONZE WORKS, INC.

2 Saddleback Cove / P.O. Box 1088
Travelers Rest, SC 29690

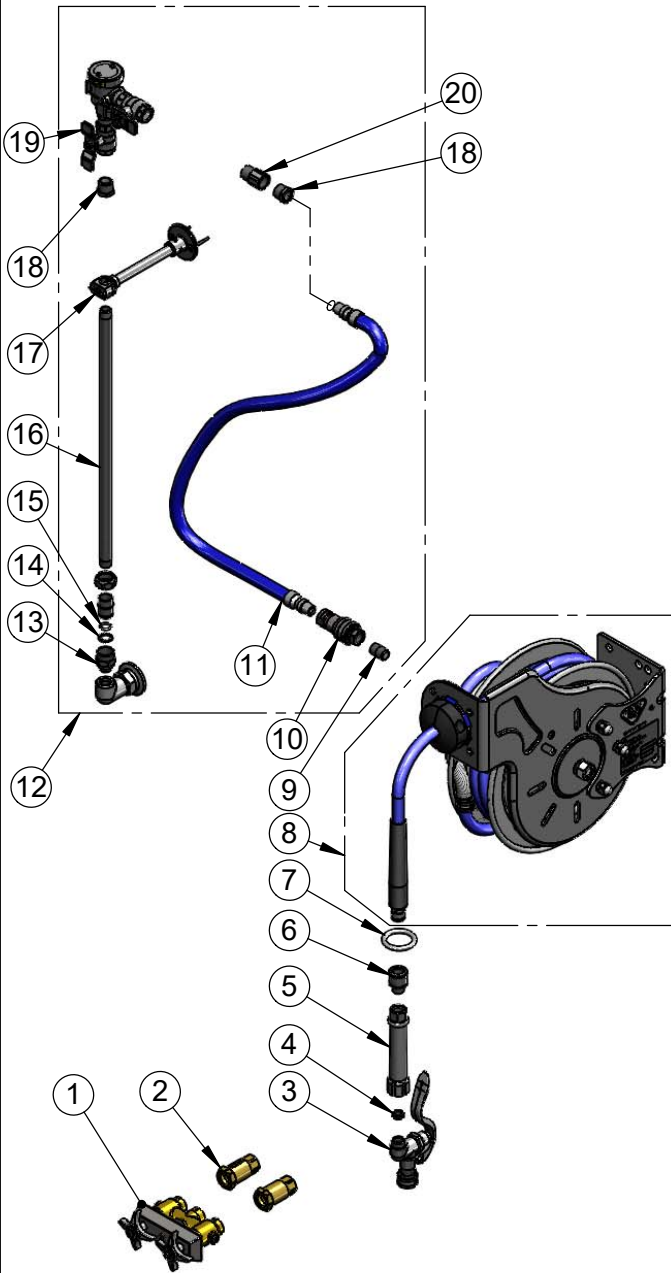
Model No.

B-1459-7112-QDS

Item No.

Travelers Rest, SC: 800-476-4103 • Simi Valley, CA: 800-423-0150 • Fax: 864-834-3518 • www.tsbrass.com

ITEM NO.	SALES NO.	DESCRIPTION
1	B-0512	3" Wall Mount Mixing Faucet
2	B-CVH1-2	1/2" Check Valve
3	B-1420	Spray Valve w/ Quick Disconnect Socket
4	010476-45	#27 Washer
5	002881-40	Grip handle (Gray)
6	019652-40	3/8" NPT Live Swivel
7	000907-45	Spray Valve Hold Down Ring
8	B-7112	Opened Stainless Steel Hose Reel w/ 15' of 3/8" Hose
9	002535-25	3/8" Close Nipple
10	AW-5B	3/8" NPT Quick Disconnect
11	HW-2B-36	3/8" NPT x 36" Flexible Water Hose
12	0RK-SK	Hose Reel Connector Kit
13	B-0412	Rigid to Swivel Adapter
14	014200-45	Star Washer, Anti-Rotation
15	001065-45	O-Ring
16	000369-40	3/8" NPT x 18" Riser
17	B-0109-01	6" Wall Bracket
18	001359-40	1/2" NPT Male x 3/8" NPT Female Hex Bushing
19	B-0963	1/2" NPT Continuous Pressure Vacuum Breaker w/ Integral Check Valve
20	015073-40	Check Valve w/ 1/2" NPT Adapter



Product Specifications:
Open Stainless Steel Hose Reel w/ 15' of 3/8" Hose, Quick Connect Spray Valve w/ Spray Accessories w/ Swivel, Vacuum Breaker, 3/8" NPT Flexible Water Hose, 3" Concealed Mixing Valve & Check Valves

Product Compliance:
NSF 61 Exempt (Non-Potable)
EPA Act 2005 (PRSV), See Above
ASSE 1056 (VB)