



T&S BRASS AND BRONZE WORKS, INC.

2 Saddleback Cove / P.O. Box 1088
Travelers Rest, SC 29690

Model No.

B-1458

Item No.

Travelers Rest, SC: 800-476-4103 • Simi Valley, CA: 800-423-0150 • Fax: 864-834-3518 • www.tsbrass.com

This Space for Architect/Engineer Approval

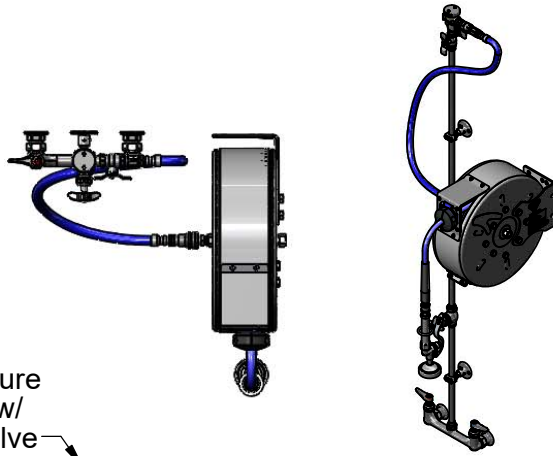
Job Name _____ Date _____

Model Specified _____ Quantity _____

Customer/Wholesaler _____

Contractor _____

Architect/Engineer _____



B-0963
Continuous Pressure
Vacuum Breaker w/
Integral Check Valve

3/8" NPT x 36"
Flexible Water
Hose Connector

(2) B-CVH1-2
1/2" NPT
Check Valves
(Included)

3/8" NPT x 40" Riser

Stainless Steel
Quick Disconnect

Control Valve

EasyInstall
3/8" NPT x 16"
Riser

(2) B-0109-07
Wall Brackets

3 11/16"
[94mm]

Ø 2" [51mm]
Flanges w/
1/2" NPT
Female Inlets

Adjustable From
7 3/4" to 8 1/4"
[197mm to 210mm]

Enclosed Stainless
Steel Hose Reel w/
30' of 3/8" Hose

019652-40
3/8" NPT
Live Swivel

B-0107
1.15 GPM
Spray Valve

8" Wall Mount Mixing Faucet,
Quarter-Turn Eterna Cartridges
w/ Spring Checks & Lever Handles
w/ Color Coded Indexes

12 5/8"
[321mm]

8"
[203mm]

Ø 1/2"
[13mm]

6 7/16"
[164mm]

3/4"
[19mm]

5 1/2"
[139mm]

3 1/8"
[79mm]

5 1/4"
[133mm]

1/2"
[13mm]

17 13/16"
[453mm]

2 3/8"
[61mm]

63 5/16"
[1609mm]

Product Specifications:

Enclosed Stainless Steel Hose Reel w/ 30' of 3/8" Hose, 1.15 GPM Spray Valve w/ Swivel, Vacuum Breaker, 3/8" NPT Flexible Water Hose, 8" Wall Mount Mixing Faucet, Check Valves, Wall Brackets & Control Valve

Product Compliance:

NSF 61 Exempt (Non-Potable)
2019 DOE PRSV - Class II
ASSE 1056 (VB)



T&S BRASS AND BRONZE WORKS, INC.

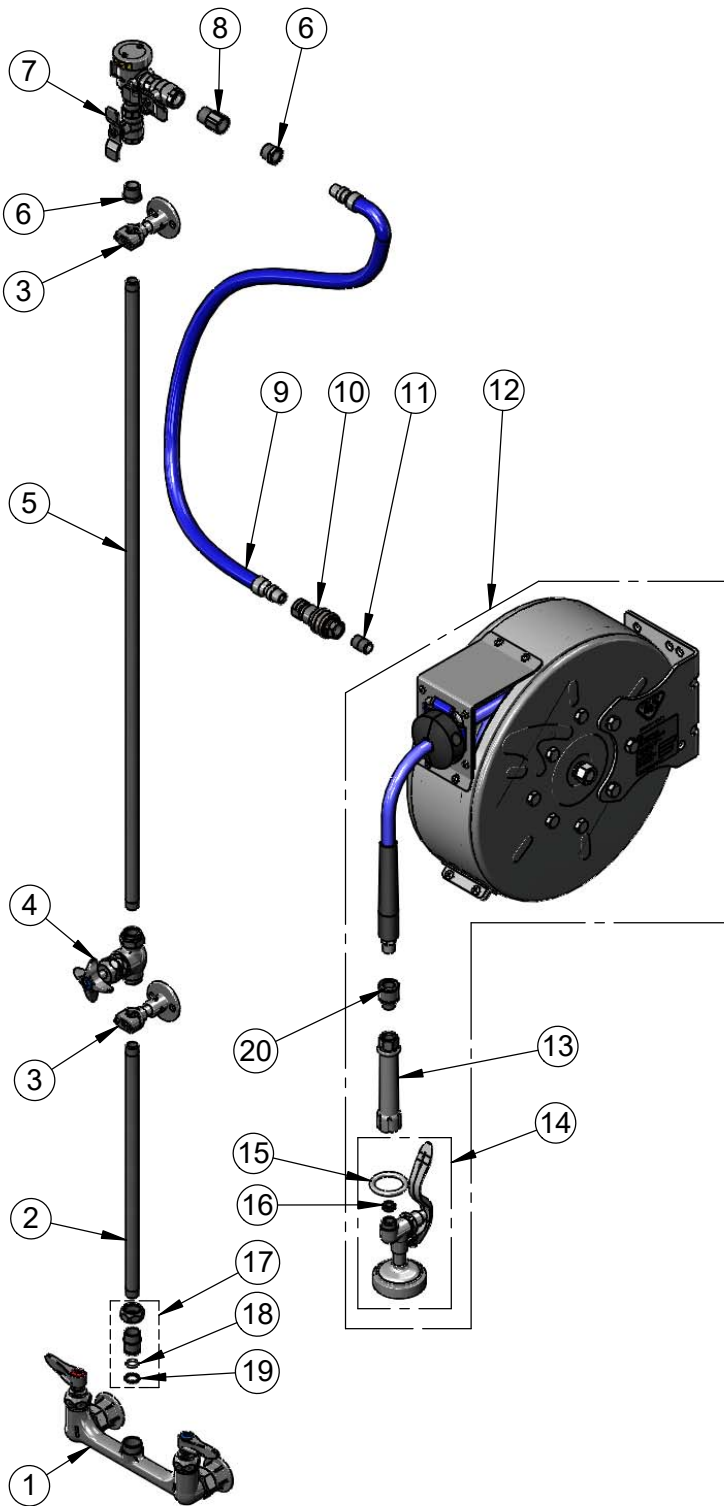
2 Saddleback Cove / P.O. Box 1088
Travelers Rest, SC 29690

Model No.

B-1458

Item No.

Travelers Rest, SC: 800-476-4103 • Simi Valley, CA: 800-423-0150 • Fax: 864-834-3518 • www.tsbrass.com



ITEM NO.	SALES NO.	DESCRIPTION
1	B-0230-LN	8" Wall Mount Mixing Faucet
2	000368-40	Nipple, 3/8" x 16"
3	B-0109-07	Wall Bracket
4	0RK3	Control Valve
5	002558-40	3/8" NPT x 40" Riser
6	001359-40	Hex Bushing, 1/2" NPT Male x 3/8" NPT Female
7	B-0963	Vacuum Breaker 1/2 NPT Female
8	015073-40	Check Valve w/ 1/2" NPT Adapter
9	HW-2B-36	3/8" NPT x 36" Flexible Water Hose
10	AW-5B	3/8" NPT Quick Disconnect
11	002535-25	3/8" Close Nipple
12	B-7122-C01M	Enclosed Stainless Steel Hose Reel w/ 30' of 3/8" Hose
13	002881-40	Grp Handle, 3/8" NPT
14	B-0107	1.15 GPM Spray Valve
15	000907-45	Spray Valve Hold Down Ring
16	010476-45	#27 Washer
17	EZ-K	EasyInstall Kit
18	001065-45	O-Ring
19	014200-45	Star Washer, Anti-Rotation
20	019652-40	3/8" NPT Live Swivel



B-CVH1-2
1/2" NPT Check Valve

Product Specifications:

Enclosed Stainless Steel Hose Reel w/ 30' of 3/8" Hose, 1.15 GPM Spray Valve w/ Swivel, Vacuum Breaker, 3/8" NPT Flexible Water Hose, 8" Wall Mount Mixing Faucet, Check Valves, Wall Brackets & Control Valve

Product Compliance:

NSF 61 Exempt (Non-Potable)
2019 DOE PRSV - Class II
ASSE 1056 (VB)