



# T&S BRASS AND BRONZE WORKS, INC.

2 Saddleback Cove / P.O. Box 1088  
Travelers Rest, SC 29690

Model No.

**B-1444-CV**

Item No.

Travelers Rest, SC: 800-476-4103 • Simi Valley, CA: 800-423-0150 • Fax: 864-834-3518 • www.tsbrass.com

This Space for Architect/Engineer Approval

Job Name \_\_\_\_\_ Date \_\_\_\_\_

Model Specified \_\_\_\_\_ Quantity \_\_\_\_\_

Customer/Wholesaler \_\_\_\_\_

Contractor \_\_\_\_\_

Architect/Engineer \_\_\_\_\_

**B-0963**  
Continuous Pressure  
Vacuum Breaker w/  
Integral Check Valve

3/8" NPT x 36"  
Flexible Water  
Connector

Stainless Steel  
Quick Disconnect

3/8" NPT x 40" Riser

Control Valve  
(2) B-0109-07  
Wall Brackets

EasyInstall  
3/8" NPT x 16" Riser

3 11/16"  
[94mm]

Adjustable From  
7 3/4" to 8 1/4"  
[197mm to 210mm]

8" Wall Mount  
Mixing Faucet,  
Quarter-Turn  
Eterna Cartridges  
w/ Spring Checks  
& Lever Handles  
w/ Color Coded  
Indexes

12 5/8"  
[321mm]

Ø 2" [51mm]  
Flanges w/  
1/2" NPT  
Female Inlets

Enclosed Stainless Steel  
Hose Reel w/ 50' of 3/8" Hose

019652-40  
3/8" NPT  
Live Swivel

B-0107  
1.15 GPM  
Spray Valve

Ø 1/2"  
[13mm]

7 9/16"  
[193mm]

13/16"  
[21mm]

6 3/16"  
[158mm]

3 1/8"  
[79mm]

6"  
[152mm]

1/2"  
[13mm]

(2) B-CVH1-2  
Check Valves  
(Included)

63 5/16"  
[1609mm]

17 13/16"  
[453mm]

2 3/8"  
[61mm]

**Product Specifications:**

Enclosed Stainless Steel Hose Reel w/ 50' of 3/8" Hose, 1.15 GPM Spray Valve w/ Swivel, Vacuum Breaker, 3/8" NPT Flexible Water Connector, 8" Wall Mount Mixing Faucet, Control Valve & (2) Check Valves

**Product Compliance:**

NSF 61 Exempt (Non-Potable)  
2019 DOE PRSV - Class II  
ASSE 1056 (VB)

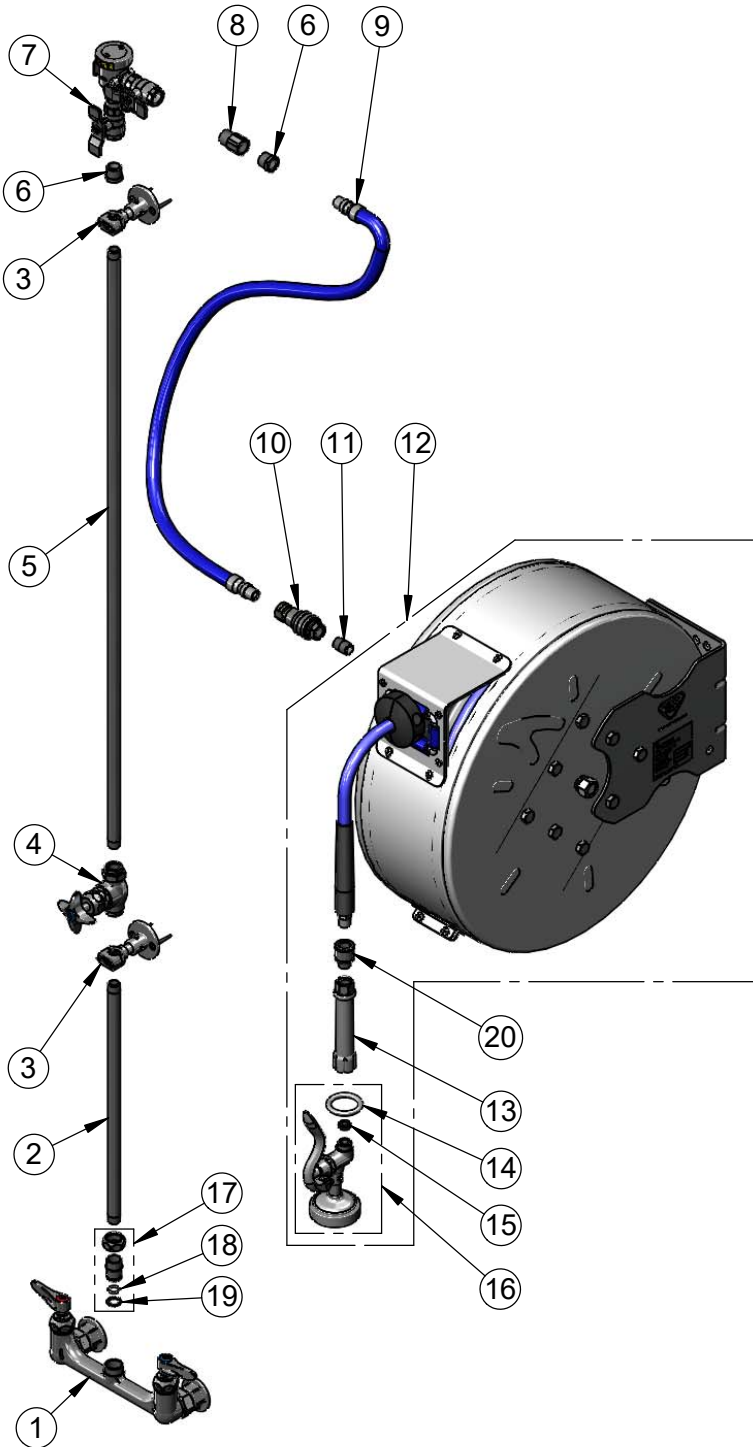


**T&S BRASS AND BRONZE WORKS, INC.**  
 2 Saddleback Cove / P.O. Box 1088  
 Travelers Rest, SC 29690

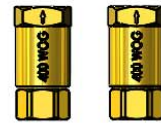
Model No.  
**B-1444-CV**

Item No.

Travelers Rest, SC: 800-476-4103 • Simi Valley, CA: 800-423-0150 • Fax: 864-834-3518 • www.tsbrass.com



ITEM NO.	SALES NO.	DESCRIPTION
1	B-0230-LN	8" Wall Mount Mixing Faucet
2	000368-40	3/8" NPT x 16" Riser
3	B-0109-07	Wall Bracket
4	0RK3	0RK3 Control Valve
5	002558-40	3/8" NPT x 40" Riser
6	001359-40	1/2" NPT Male x 3/8" NPT Female Hex Bushing
7	B-0963	1/2" NPT Continuous Pressure VB w/ Integral Check Valve
8	015073-40	Check Valve w/ 1/2" NPT Adapter
9	HW-2B-36	3/8" NPT x 36" Flexible Water Hose
10	AW-5B	3/8" NPT Quick Disconnect
11	002535-25	3/8" Close Nipple
12	B-7142-C01M	Enclosed Stainless Steel Reel w/ 50' of 3/8" Hose
13	002881-40	Grip Handle, 3/8" NPT w/ Washer
14	000907-45	Spray Valve Hold Down Ring
15	010476-45	#27 Washer
16	B-0107	1.15 GPM Spray Valve
17	EZ-K	EasyInstall Kit
18	001065-45	O-Ring
19	014200-45	Lock Washer
20	019652-40	3/8" NPT Live Swivel



(2) B-CVH1-2  
 Check Valves  
 (Included)

**Product Specifications:**  
 Enclosed Stainless Steel Hose Reel w/ 50' of 3/8" Hose, 1.15 GPM Spray Valve w/ Swivel, Vacuum Breaker, 3/8" NPT Flexible Water Connector, 8" Wall Mount Mixing Faucet, Control Valve & (2) Check Valves

**Product Compliance:**  
 NSF 61 Exempt (Non-Potable)  
 2019 DOE PRSV - Class II  
 ASSE 1056 (VB)