



# T&S BRASS AND BRONZE WORKS, INC.

2 Saddleback Cove / P.O. Box 1088  
Travelers Rest, SC 29690

Model No.

**B-1437**

Item No.

Travelers Rest, SC: 800-476-4103 • Simi Valley, CA: 800-423-0150 • Fax: 864-834-3518 • www.tsbrass.com

This Space for Architect/Engineer Approval

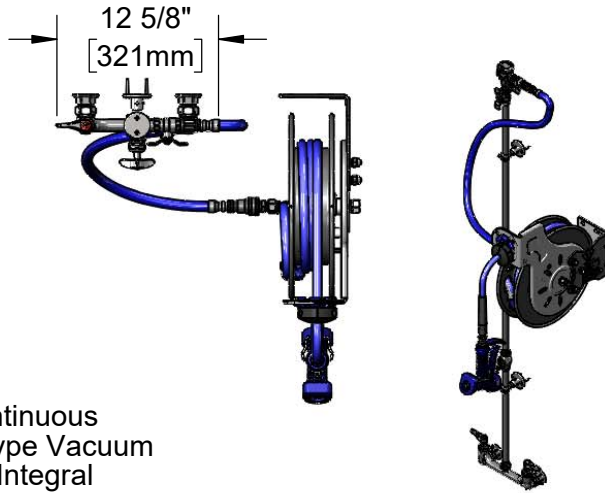
Job Name \_\_\_\_\_ Date \_\_\_\_\_

Model Specified \_\_\_\_\_ Quantity \_\_\_\_\_

Customer/Wholesaler \_\_\_\_\_

Contractor \_\_\_\_\_

Architect/Engineer \_\_\_\_\_



B-0963 Continuous Pressure Type Vacuum Breaker w/ Integral Check Valve

3/8" NPT x 36" Flexible Water Connector

B-7232-05 Open Hose Reel w/ 35' of 3/8" Hose

019652-40 3/8" NPT Live Swivel

MV-2522-24 Front Trigger Water Gun

3/8" NPT x 40" Riser

0RK3 Control Valve

B-0109-07 Bracket (2)

EasyInstall 3/8" NPT x 16" Riser

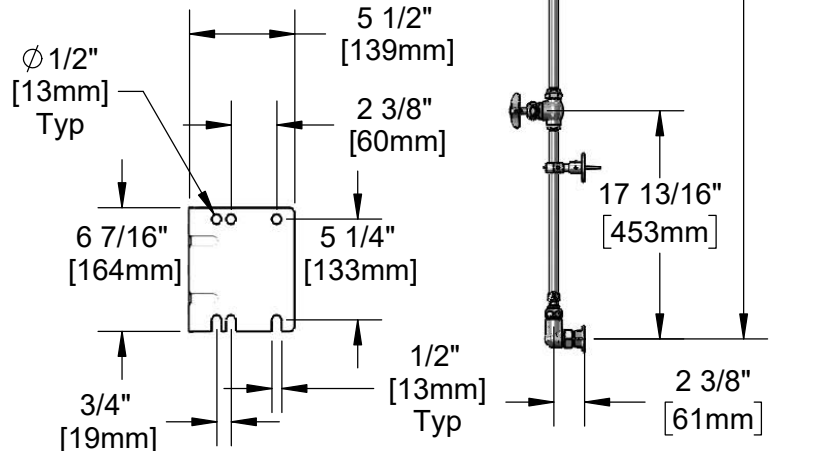
3 11/16" [94mm]

8" Wall Mount Mixing Faucet, Quarter-Turn Eterna Cartridges w/ Spring Checks & Lever Handles w/ Color Coded Indexes

12 5/8" [321mm]

Ø 2" [51mm] Flanges w/ 1/2" NPT Female Inlets

8" [203mm] Adjustable From 7 3/4" to 8 1/4" [197mm to 210mm]



64 7/8" [1647mm]

**Product Specifications:**

Open Coated Hose Reel w/ 35' of 3/8" Hose, Blue Front Trigger Water Gun w/ Swivel, Vacuum Breaker, 3/8" NPT Flexible Water Connector, 8" Wall Mount Faucet, & Control Valve

**Product Compliance:**

NSF 61 Exempt (Non-Potable)  
2019 DOE PRSV Non-Compliant  
ASSE 1056 (VB)

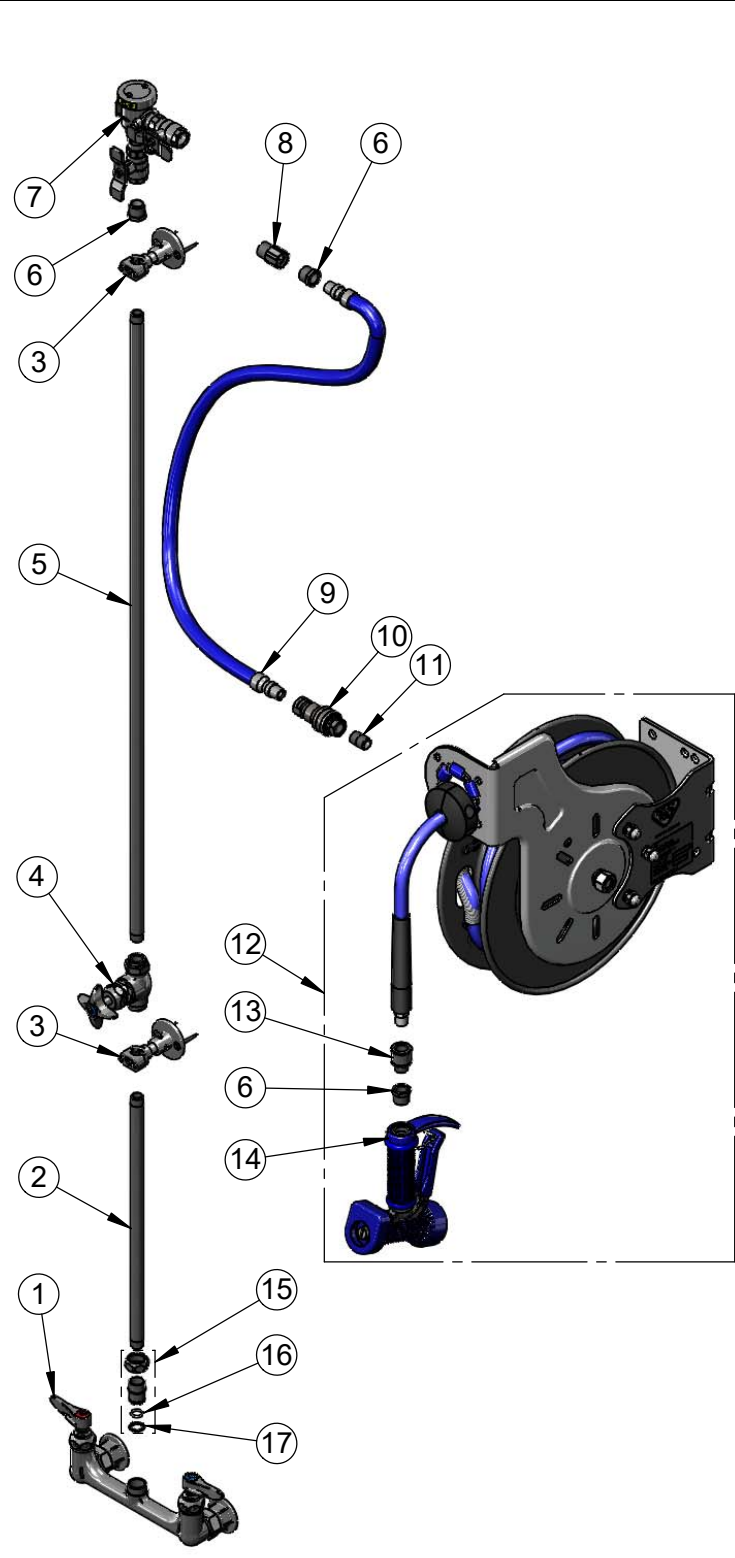


**T&S BRASS AND BRONZE WORKS, INC.**  
 2 Saddleback Cove / P.O. Box 1088  
 Travelers Rest, SC 29690

Model No.  
**B-1437**

Item No.

Travelers Rest, SC: 800-476-4103 • Simi Valley, CA: 800-423-0150 • Fax: 864-834-3518 • www.tsbrass.com



ITEM NO.	SALES NO.	DESCRIPTION
1	B-0230-LN	8" Wall Mount Mixing Faucet
2	000368-40	3/8" NPT x 16" Riser
3	B-0109-07	Wall Bracket
4	0RK3	Control Valve
5	002558-40	3/8" NPT x 40" Riser
6	001359-40	Hex Bushing, 1/2" NPT Male x 3/8" NPT Female
7	B-0963	Vacuum Breaker 1/2 NPT Female
8	015073-40	Check Valve w/ 1/2" NPT Adapter
9	HW-2B-36	3/8" NPT x 36" Flexible Water Hose
10	AW-5B	3/8" NPT Quick Disconnect
11	002535-25	3/8" Close Nipple
12	B-7232-05	Open Hose Reel w/ 3/8" x 35' Hose
13	019652-40	3/8" NPT Swivel
14	MV-2522-24	Stainless Steel Water Gun, Front Trigger
15	EZ-K	Easy Install Kit
16	001065-45	O-Ring
17	014200-45	Star Washer, Anti-Rotation
167	006562-45	O-Ring

**Product Specifications:**  
 Open Coated Hose Reel w/ 35' of 3/8" Hose, Blue Front Trigger Water Gun w/ Swivel, Vacuum Breaker, 3/8" NPT Flexible Water Connector, 8" Wall Mount Faucet, & Control Valve

**Product Compliance:**  
 NSF 61 Exempt (Non-Potable)  
 2019 DOE PRSV Non-Compliant  
 ASSE 1056 (VB)