



T&S BRASS AND BRONZE WORKS, INC.
 2 Saddleback Cove / P.O. Box 1088
 Travelers Rest, SC 29690

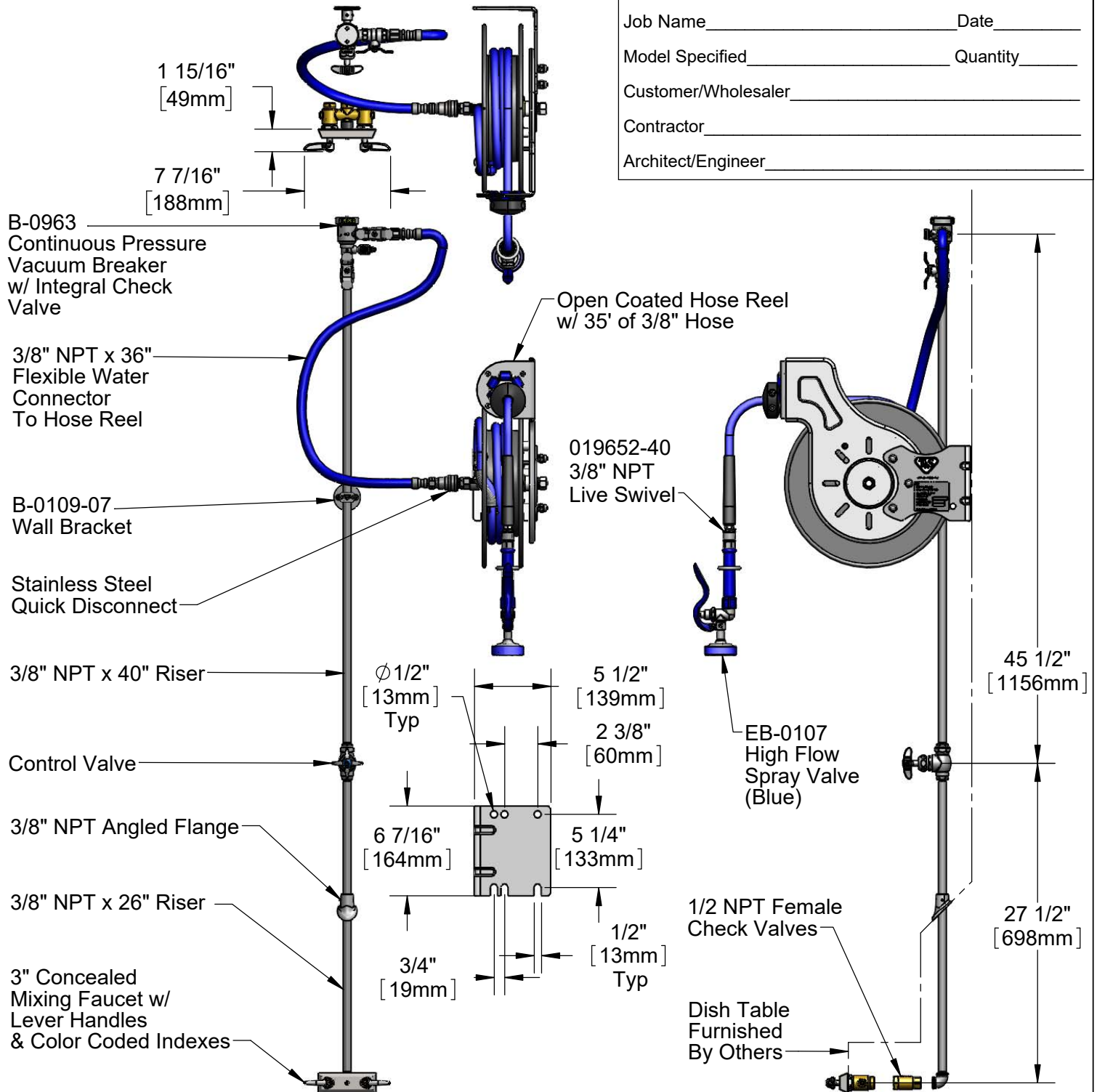
Model No.
B-1431

Item No.

Travelers Rest, SC: 800-476-4103 • Simi Valley, CA: 800-423-0150 • Fax: 864-834-3518 • www.tsbrass.com

This Space for Architect/Engineer Approval

Job Name _____ Date _____
 Model Specified _____ Quantity _____
 Customer/Wholesaler _____
 Contractor _____
 Architect/Engineer _____



Product Specifications:
 Open Coated Hose Reel w/ 35' of 3/8" Hose, High Flow Spray Valve (Blue) w/ Swivel, Vacuum Breaker, 3/8" NPT Flexible Water Connector, 3" Concealed Mixing Faucet & Control Valve

Product Compliance:
 NSF 61 Exempt (Non-Potable)
 2019 DOE PRSV Non-Compliant
 ASSE 1056 (VB)

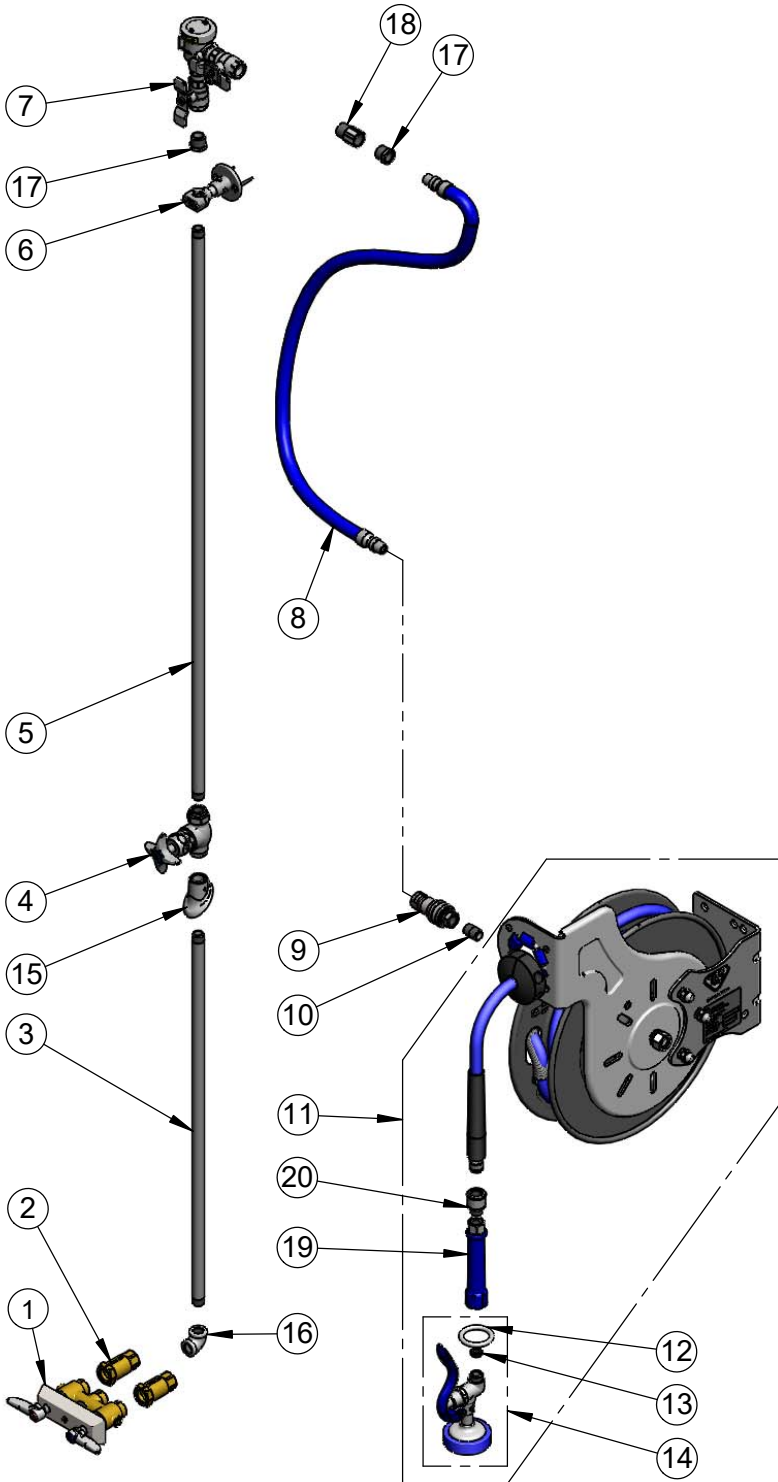


T&S BRASS AND BRONZE WORKS, INC.
 2 Saddleback Cove / P.O. Box 1088
 Travelers Rest, SC 29690

Model No.
B-1431

Item No.

Travelers Rest, SC: 800-476-4103 • Simi Valley, CA: 800-423-0150 • Fax: 864-834-3518 • www.tsbrass.com



| ITEM NO | SALES NO. | DESCRIPTION |
|---------|-----------|---|
| 1 | B-0513 | 3" Concealed Mixing Faucet |
| 2 | B-CVH1-2 | 1/2" Check Valve |
| 3 | 000373-40 | 3/8" NPT x 26" Riser |
| 4 | 0RK3 | Control Valve |
| 5 | 002558-40 | 3/8" NPT x 40" Riser |
| 6 | B-0109-07 | Wall Bracket |
| 7 | B-0963 | 1/2" NPT Continuous Pressure VB w/ Integral Check Valve |
| 8 | HW-2B-36 | 3/8" NPT x 36" Flexible Water Hose |
| 9 | AW-5B | 3/8" NPT Quick Disconnect |
| 10 | 002535-25 | 3/8" Close Nipple |
| 11 | B-7232-01 | Open Coated Reel w/ 35' of 3/8" Hose |
| 12 | 000907-45 | Spray Valve Hold Down Ring |
| 13 | 010476-45 | #27 Washer |
| 14 | EB-0107 | High Flow Spray Valve (Blue) |
| 15 | B-0462 | 3/8" Angle Slip Flange |
| 16 | 001355-40 | Elbow, 3/8" NPT |
| 17 | 001359-40 | 1/2" NPT Male x 3/8" NPT Female Hex Bushing |
| 18 | 015073-40 | Check Valve w/ 1/2" NPT Adapter |
| 19 | 012504-40 | Grip Handle (Blue), 3/8" NPT |
| 20 | 019652-40 | 3/8" NPT Live Swivel |

Product Specifications:
 Open Coated Hose Reel w/ 35' of 3/8" Hose, High Flow Spray Valve (Blue) w/ Swivel, Vacuum Breaker, 3/8" NPT Flexible Water Connector, 3" Concealed Mixing Faucet & Control Valve

Product Compliance:
 NSF 61 Exempt (Non-Potable)
 2019 DOE PRSV Non-Compliant
 ASSE 1056 (VB)