



T&S BRASS AND BRONZE WORKS, INC.

2 Saddleback Cove / P.O. Box 1088
Travelers Rest, SC 29690

Model No.

B-1177

Item No.

Travelers Rest, SC: 800-476-4103 • Simi Valley, CA: 800-423-0150 • Fax: 864-834-3518 • www.tsbrass.com



ADA Compliant

This Space for Architect/Engineer Approval

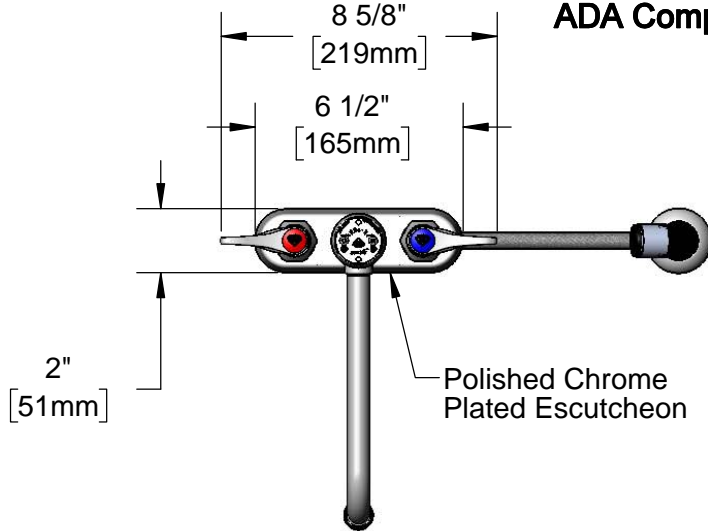
Job Name _____ Date _____

Model Specified _____ Quantity _____

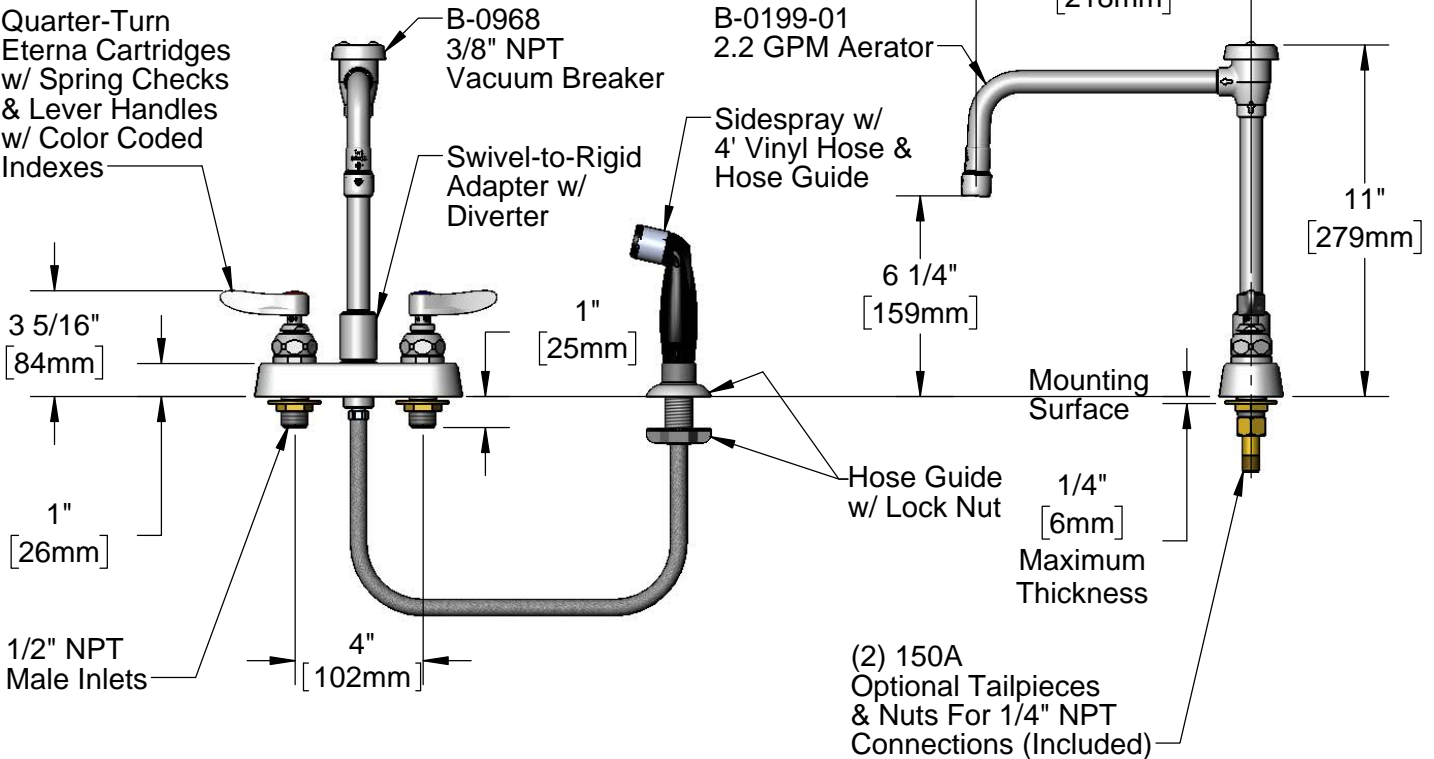
Customer/Wholesaler _____

Contractor _____

Architect/Engineer _____



Quarter-Turn Eterna Cartridges w/ Spring Checks & Lever Handles w/ Color Coded Indexes



Rough-In Requirement:
Faucet: (3) Ø 1" [25mm] Mounting Holes
Sidespray: (1) Ø 1" [25mm] Mounting Hole

Product Specifications:
4" Deck Mount Workboard Faucet, Quarter-Turn Eterna Cartridges w/ Spring Checks, Lever Handles, Rigid Vacuum Breaker Nozzle, 2.2 GPM Aerator, 4' Vinyl Hose Sidespray w/ Hose Guide & 1/2" NPT Male Inlets

Product Compliance:
ASME A112.18.1 / CSA B125.1
NSF 61 - Section 9
NSF 372 (Low Lead Content)
ANSI A117.1 (ADA)
ASSE 1001 (VB)



T&S BRASS AND BRONZE WORKS, INC.

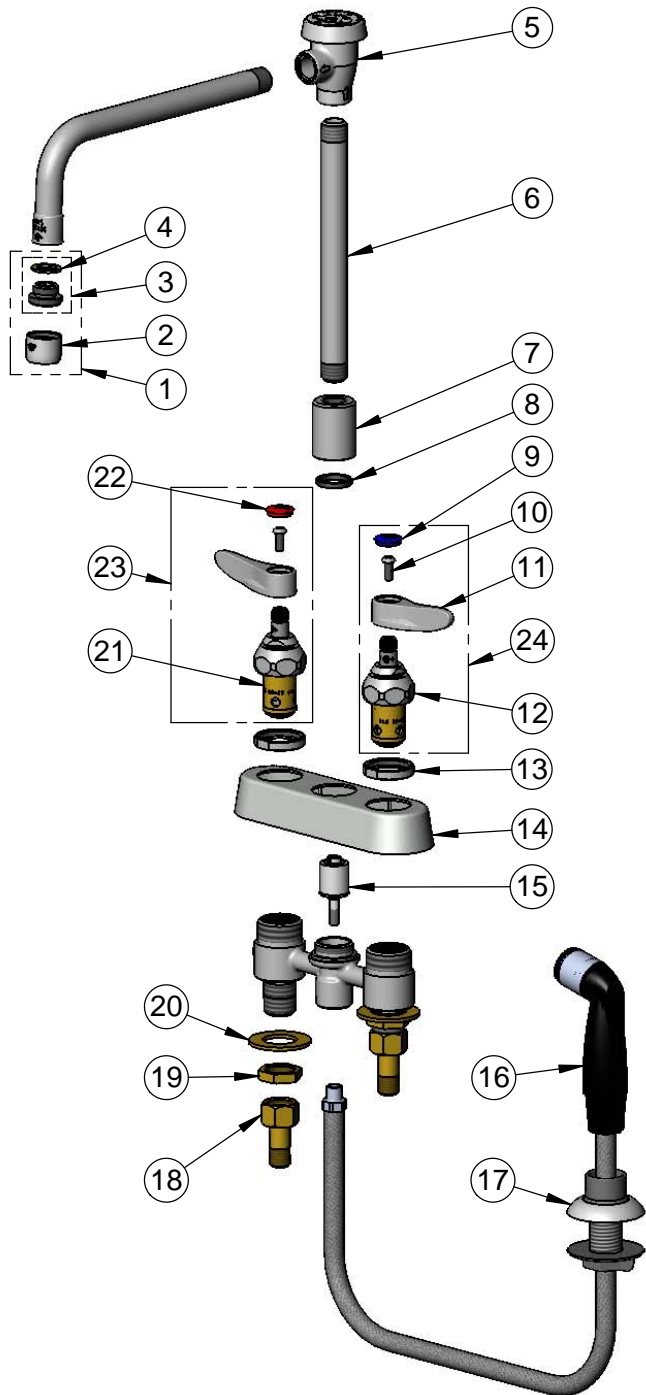
2 Saddleback Cove / P.O. Box 1088
Travelers Rest, SC 29690

Model No.

B-1177

Item No.

Travelers Rest, SC: 800-476-4103 • Simi Valley, CA: 800-423-0150 • Fax: 864-834-3518 • www.tsbrass.com



ITEM NO.	SALES NO.	DESCRIPTION
1	B-0199-02	2.2 GPM Aerator, 3/8" NPSM Male
2	B-0199-01	2.2 GPM Aerator, 55/64"-27 UN Female
3	044A	3/8" to Aerator Adapter
4	001043-45	Washer
5	B-0968	3/8" NPT Vacuum Breaker
6	000363-40	Nipple, 3/8" NPT x 7"
7	1171-X	Diverter Adapter
8	001040-45	Washer
9	018506-19NS	Blue Button Index, Press-in
10	000925-45	Lab Handle Screw
11	001638-45NS	Lever Handle (New Style)
12	012442-40NS	Quarter-Turn Eterna Cartridge w/ Spring Check, LTC
13	019376-40	Escutcheon Lock Nut
14	019374-40	B-1110 Eterna Workboard Escutcheon
15	002338-45	Valve Diverter Piston
16	001495-45	Sidespray w/ 4' Vinyl Hose & Hose Guide
17	001496-45	Hose Guide
18	150A	1/4" NPT Tailpiece & Nut
19	002954-45	Shank Lock Nut
20	000999-45	Brass Lock Washer
21	012443-40NS	Quarter-Turn Eterna Cartridge w/ Spring Check, RTC
22	001193-19NS	Red Button Index, Press-in
23	002712-40NS	Quarter-Turn Eterna Cartridge w/ Spring Check, Handle, Red Index & Screw, RTC
24	002711-40NS	Quarter-Turn Eterna Cartridge w/ Spring Check, Handle, Blue Index & Screw, LTC

Product Specifications:

4" Deck Mount Workboard Faucet, Quarter-Turn Eterna Cartridges w/ Spring Checks, Lever Handles, Rigid Vacuum Breaker Nozzle, 2.2 GPM Aerator, 4' Vinyl Hose Sidespray w/ Hose Guide & 1/2" NPT Male Inlets

Product Compliance:

ASME A112.18.1 / CSA B125.1
NSF 61 - Section 9
NSF 372 (Low Lead Content)
ANSI A117.1 (ADA)
ASSE 1001 (VB)