



# T&S BRASS AND BRONZE WORKS, INC.

2 Saddleback Cove / P.O. Box 1088  
Travelers Rest, SC 29690

Model No.

**B-1172-07-WH4**

Item No.

Travelers Rest, SC: 800-476-4103 • Simi Valley, CA: 800-423-0150 • Fax: 864-834-3518 • www.tsbrass.com



**ADA Compliant**

This Space for Architect/Engineer Approval

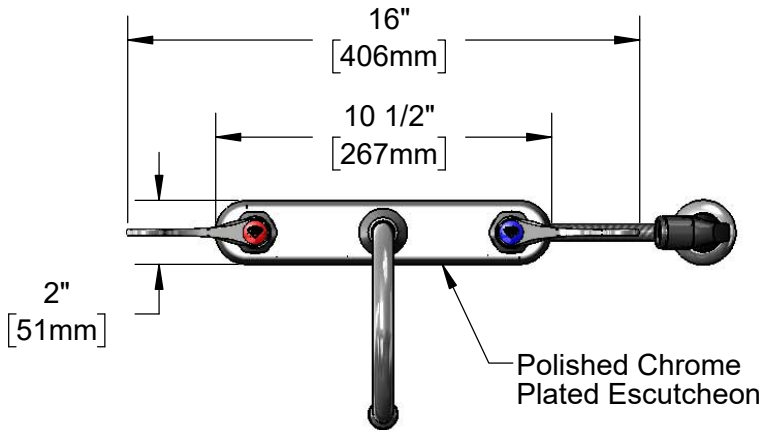
Job Name \_\_\_\_\_ Date \_\_\_\_\_

Model Specified \_\_\_\_\_ Quantity \_\_\_\_\_

Customer/Wholesaler \_\_\_\_\_

Contractor \_\_\_\_\_

Architect/Engineer \_\_\_\_\_



Polished Chrome Plated Escutcheon

Quarter-Turn Eterna Cartridges w/ Spring Checks & 4" Wrist Action Handles w/ Color Coded Indexes

Sidespray w/ 7' Vinyl Hose & Hose Guide

360° Swivel Piece

5 3/4" Swivel Gooseneck w/ B-0199-01 2.2 GPM Aerator

5 3/4" [145mm]

12 1/8" [308mm]

7 11/16" [195mm]

Mounting Surface

4 15/16" [125mm]

1" [26mm]

Hose Guide w/ Lock Nut

1/4" [6mm]

Maximum Thickness

1/2" NPT Male Inlets

8" [203mm]

1" [25mm]

(2) 150A Optional Tailpiece & Nut For 1/4" NPT Connection (Included)

**Rough-In Requirement:**

Faucet: (3) Ø 1" [25mm] Mounting Holes  
Sidespray: (1) Ø 1" [25mm] Mounting Hole

**Product Specifications:**

8" Deck Mount Workboard Faucet, Quarter-Turn Eterna Cartridges w/ Spring Checks, 4" Wrist Action Handles, 5 3/4" Swivel Gooseneck, 2.2 GPM Aerator, 7' Vinyl Hose Sidespray w/ Hose Guide & 1/2" NPT Male Inlets

**Product Compliance:**

ASME A112.18.1 / CSA B125.1  
NSF 61 - Section 9  
NSF 372 (Low Lead Content)  
ANSI A117.1 (ADA)



# T&S BRASS AND BRONZE WORKS, INC.

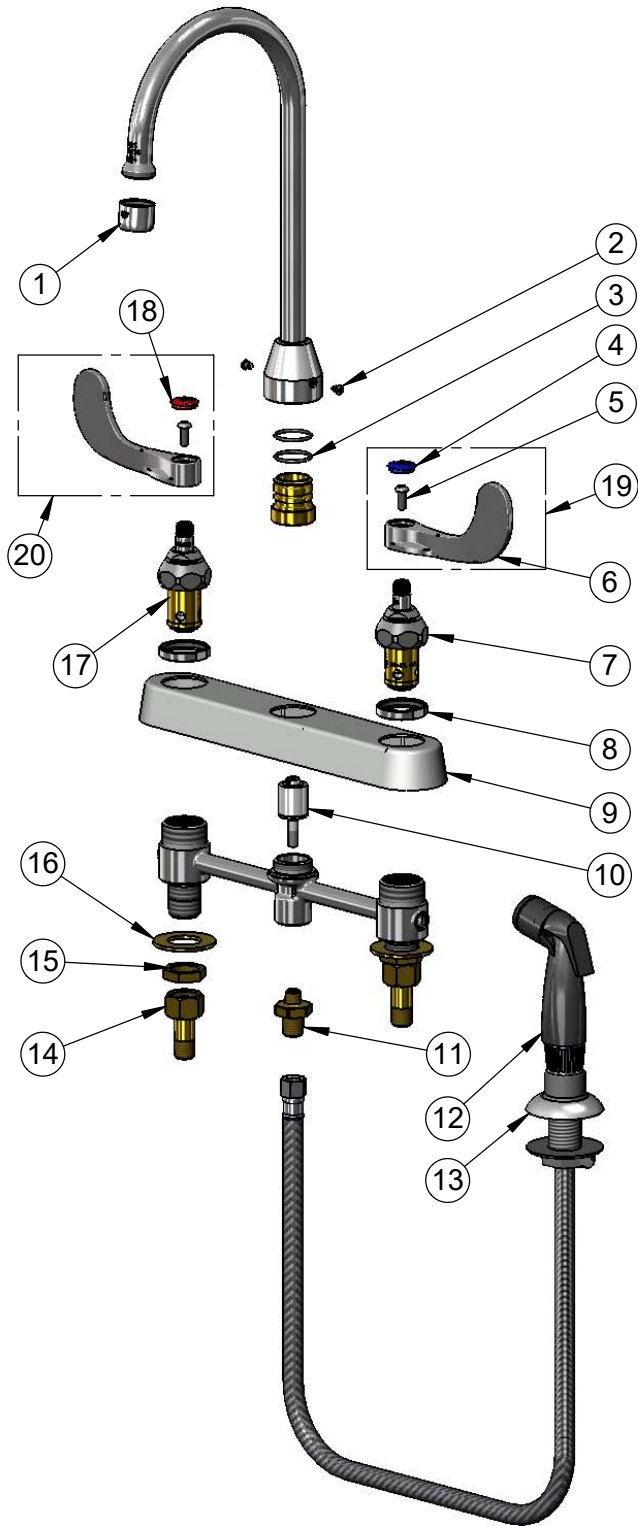
2 Saddleback Cove / P.O. Box 1088  
Travelers Rest, SC 29690

Model No.

**B-1172-07-WH4**

Item No.

Travelers Rest, SC: 800-476-4103 • Simi Valley, CA: 800-423-0150 • Fax: 864-834-3518 • www.tsbrass.com



ITEM NO.	SALES NO.	DESCRIPTION
1	B-0199-01	2.2 GPM Aerator, 55/64"-27 UN Female
2	001486-45	Diverter Cover Screw
3	006562-45	O-Ring
4	018506-19NS	Blue Button Index, Press-in
5	000925-45	Lab Handle Screw
6	B-WH4-NS	Wrist Action Handle (New Style)
7	012442-40NS	Quarter-Turn Eterna Cartridge w/ Spring Check, LTC
8	019376-40	Escutcheon Lock Nut
9	019375-40	B-1120 Eterna Workboard Escutcheon
10	002338-45	Valve Diverter Piston
11	017832-20	Reducing Hex Nipple, 1/4 x 1/8
12	013675-45	Sidespray w/ 7' Vinyl Hose & Hose Guide
13	001496-45	Hose Guide
14	150A	1/4" NPT Tailpiece & Nut
15	002954-45	Shank Lock Nut
16	000999-45	Brass Lock Washer
17	012443-40NS	Quarter-Turn Eterna Cartridge w/ Spring Check, RTC
18	001193-19NS	Red Button Index, Press-in
19	B-WH4C-NS	Wrist Action Handle, Blue Index & Screw
20	B-WH4H-NS	Wrist Action Handle, Red Index & Screw

**Product Specifications:**

8" Deck Mount Workboard Faucet, Quarter-Turn Eterna Cartridges w/ Spring Checks, 4" Wrist Action Handles, 5 3/4" Swivel Gooseneck, 2.2 GPM Aerator, 7' Vinyl Hose Sidespray w/ Hose Guide & 1/2" NPT Male Inlets

**Product Compliance:**

ASME A112.18.1 / CSA B125.1  
NSF 61 - Section 9  
NSF 372 (Low Lead Content)  
ANSI A117.1 (ADA)