



# T&S BRASS AND BRONZE WORKS, INC.

2 Saddleback Cove / P.O. Box 1088  
Travelers Rest, SC 29690

Model No.

**B-1157**

Item No.

Travelers Rest, SC: 800-476-4103 • Simi Valley, CA: 800-423-0150 • Fax: 864-834-3518 • www.tsbrass.com

This Space for Architect/Engineer Approval

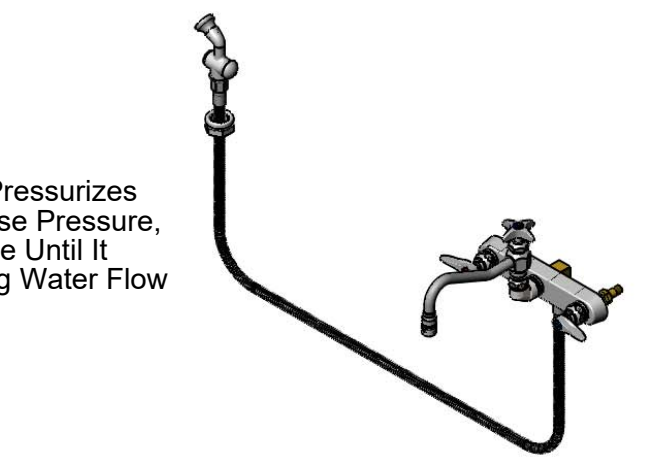
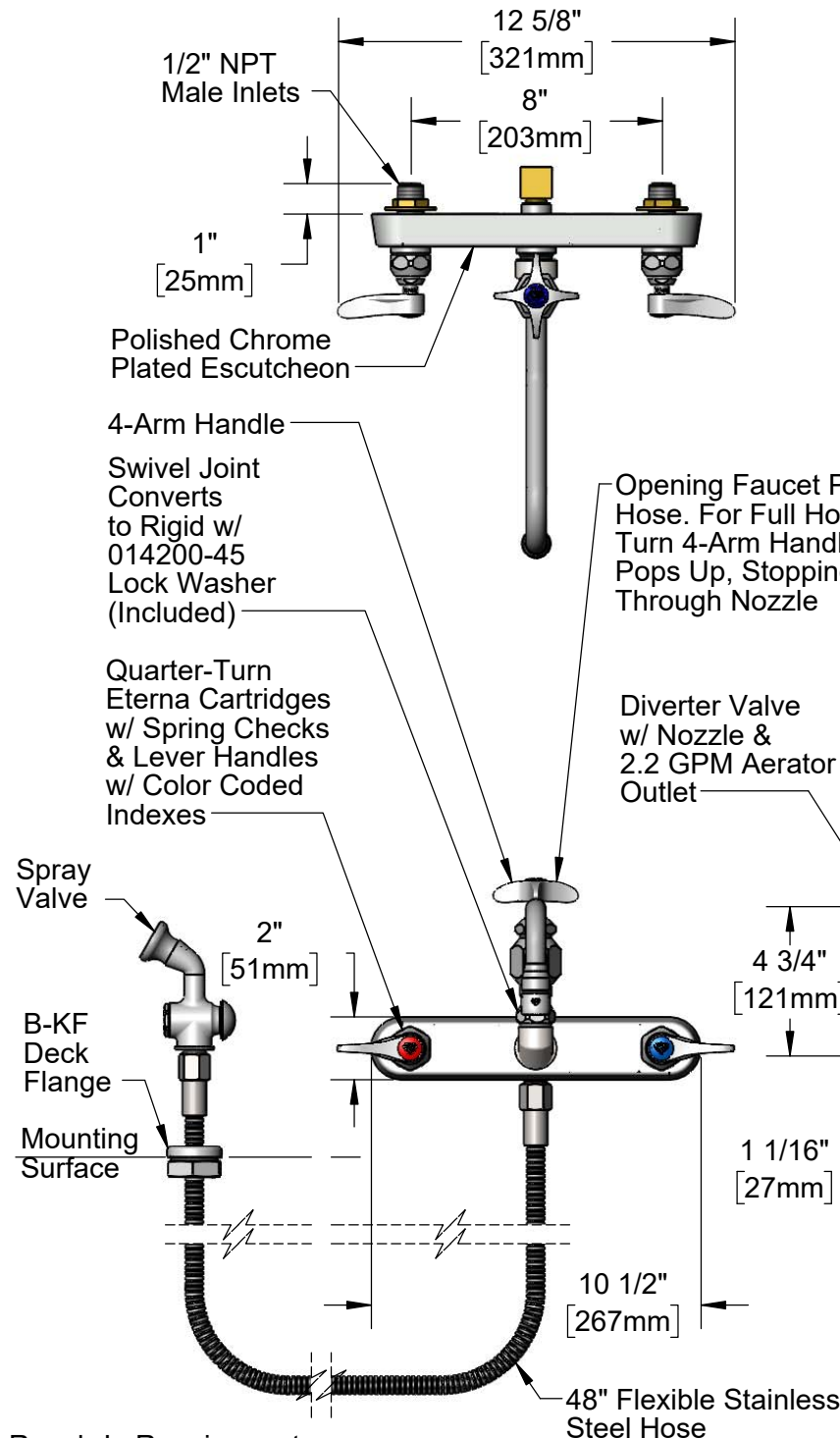
Job Name \_\_\_\_\_ Date \_\_\_\_\_

Model Specified \_\_\_\_\_ Quantity \_\_\_\_\_

Customer/Wholesaler \_\_\_\_\_

Contractor \_\_\_\_\_

Architect/Engineer \_\_\_\_\_



**Rough-In Requirement:**  
Faucet: (3)  $\phi$  1" [25mm] Mounting Holes  
Deck Flange:  $\phi$  1 9/16" [40mm] Mounting Hole

**Product Specifications:**  
8" Wall Mount Workboard Mixing Faucet, Quarter-Turn Eterna Cartridges w/ Spring Checks, Lever Handles, Diverter valve w/ 7 7/8" Swing Nozzle, 2.2 GPM Aerator 48" Flexible Stainless Steel Hose, Spray Valve w/ 2.2 GPM Rosespray, Deck Flange & 1/2" NPT Male Inlets

**Product Compliance:**  
ASME A112.18.1 / CSA B125.1  
NSF 61 - Section 9  
NSF 372 (Low Lead Content)  
2019 DOE PRSV Non-Compliant

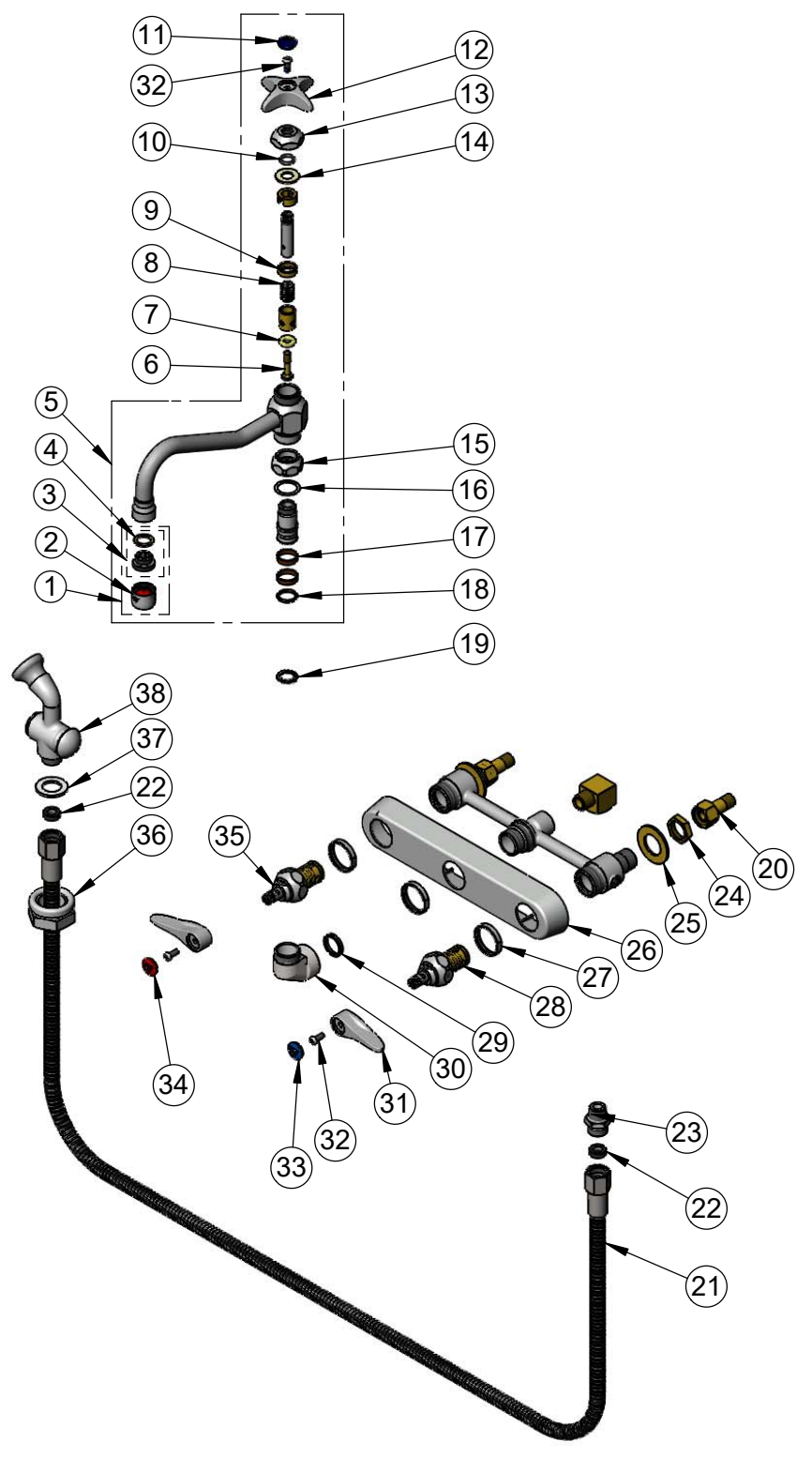


**T&S BRASS AND BRONZE WORKS, INC.**  
 2 Saddleback Cove / P.O. Box 1088  
 Travelers Rest, SC 29690

Model No.  
**B-1157**

Item No.

Travelers Rest, SC: 800-476-4103 • Simi Valley, CA: 800-423-0150 • Fax: 864-834-3518 • www.tsbrass.com



ITEM NO.	SALES NO.	DESCRIPTION
1	B-0199-02	2.2 GPM Aerator, 3/8" NPSM Male
2	B-0199-01	2.2 GPM Aerator, 55/64-27 UN Female
3	044A	3/8" to Aerator Adapter
4	001043-45	Washer
5	002878-40	Diverter Valve w/ Nozzle & 2.2 GPM Aerator Outlet
6	000832-20	Stem Diverter Bottom
7	001084-45	Seat Washer
8	000893-45	Spring
9	000875-20	Washer
10	001075-45	O-ring, Nitrile -111
11	019959-45	Press-In Diverter Index
12	002521-45NS	4-Arm Handle (New Style)
13	000881-40	Bonnet Nut
14	001047-45	Washer, Santoprene
15	000711-40	Swivel Adapter Nut
16	009538-45	Swivel Washer
17	011429-45	Swivel Sleeves (2)
18	001074-45	O-Ring
19	014200-45	Star Washer, Anti-Rotation
20	150A	1/4" NPT Tailpiece & Nut
21	013E-48H	48" Flexible Stainless Steel Hose
22	010476-45	#27 Washer
23	053A	Adapter, 3/8" NPT Male
24	002954-45	Shank Lock Nut
25	000999-45	Brass Lock Washer
26	019375-40	B-1120 Eterna Workboard Escutcheon
27	019376-40	Escutcheon Lock Nut
28	012443-40NS	Quarter-Turn New Style Eterna Cartridge w/ Spring Check, RTC
29	001040-45	Washer, 3/4 ID x 15/16 OD x 1/8 thick
30	000082-40	B-1100 Knob
31	001638-45NS	Lever Handle (New Style)
32	000925-45	Lab Handle Screw
33	018506-19NS	Blue Button Index, Press-in
34	001193-19NS	Red Button Index, Press-in
35	012442-40NS	Quarter-Turn New Style Eterna Cartridge w/ Spring Check, LTC
36	B-KF	Protective Flange
37	001010-40	Washer, Stainless Steel
38	002857-40	2.2 GPM Spray Valve

**Product Specifications:**  
 8" Wall Mount Workboard Mixing Faucet, Quarter-Turn Eterna Cartridges w/ Spring Checks, Lever Handles, Diverter valve w/ 7 7/8" Swing Nozzle, 2.2 GPM Aerator 48" Flexible Stainless Steel Hose, Spray Valve w/ 2.2 GPM Rosespray, Deck Flange & 1/2" NPT Male Inlets

**Product Compliance:**  
 ASME A112.18.1 / CSA B125.1  
 NSF 61 - Section 9  
 NSF 372 (Low Lead Content)  
 2019 DOE PRSV Non-Compliant