



T&S BRASS AND BRONZE WORKS, INC.

2 Saddleback Cove / P.O. Box 1088
Travelers Rest, SC 29690

Model No.

B-1146-2-V12-CR

Item No.

Travelers Rest, SC: 800-476-4103 • Simi Valley, CA: 800-423-0150 • Fax: 864-834-3518 • www.tsbrass.com



ADA Compliant

This Space for Architect/Engineer Approval

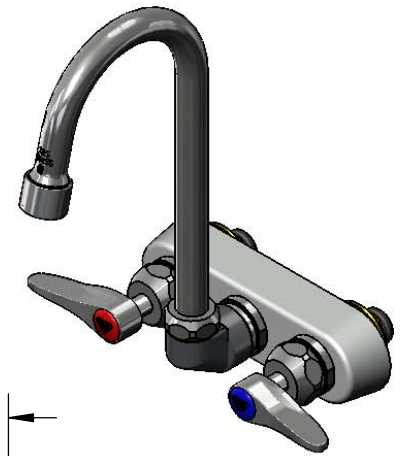
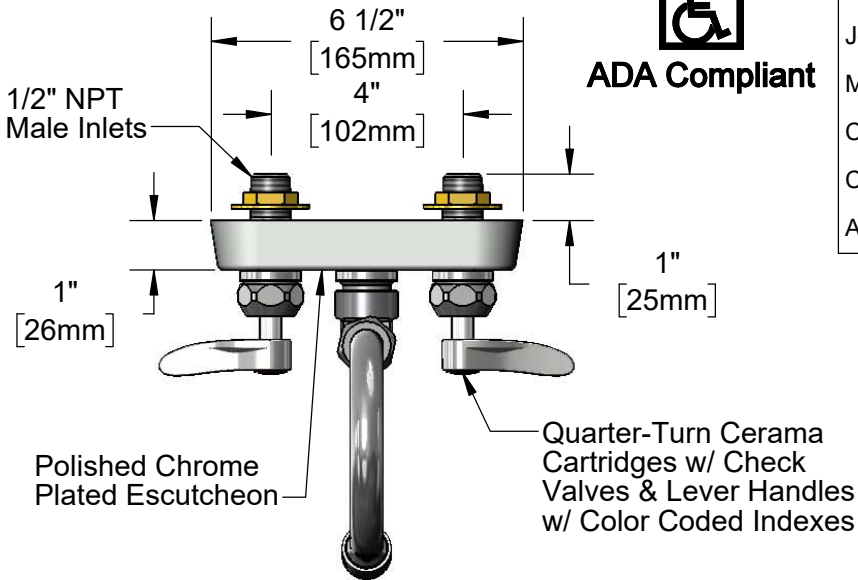
Job Name _____ Date _____

Model Specified _____ Quantity _____

Customer/Wholesaler _____

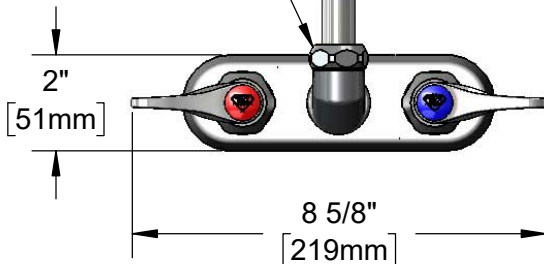
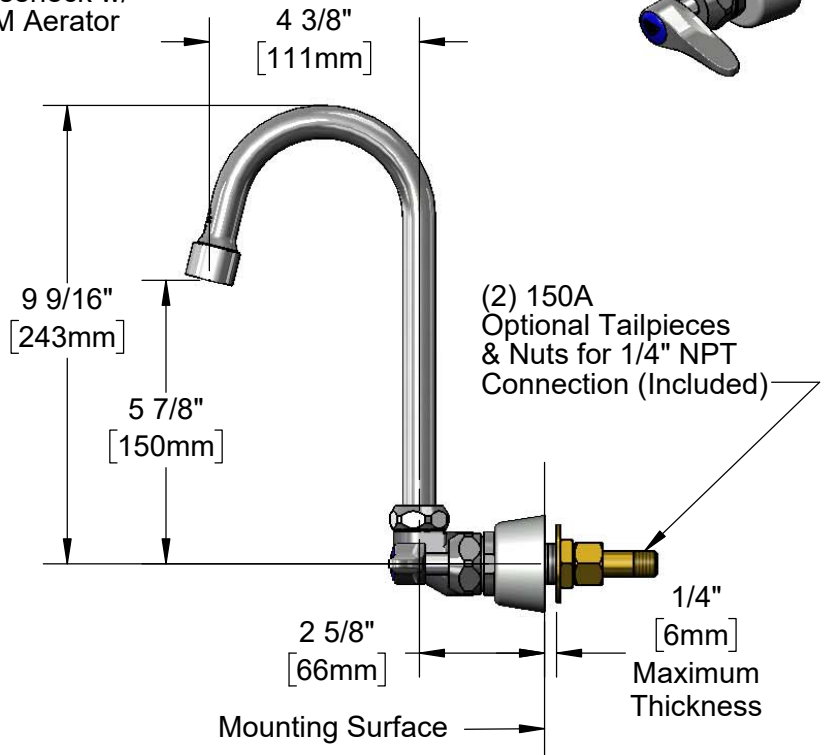
Contractor _____

Architect/Engineer _____



179X-V12 Swivel Gooseneck w/ VR 1.2 GPM Aerator

Swivel Joint Converts to Rigid w/ 014200-45 Lock Washer (Included)



Rough-In Requirement:
(2) \varnothing 1" [25mm] Mounting Holes

Product Specifications:

4" Wall Mount Workboard Faucet, Quarter-Turn Cerama Cartridges w/ Check Valves, Lever Handles, 4 3/8" Swivel/Rigid Gooseneck, 1.2 GPM Vandal Resistant Aerator & 1/2" NPT Male Inlets

Product Compliance:

ASME A112.18.1 / CSA B125.1
NSF 61 - Section 9
NSF 372 (Low Lead Content)
ANSI A117.1 (ADA)



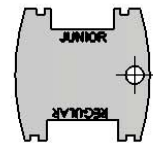
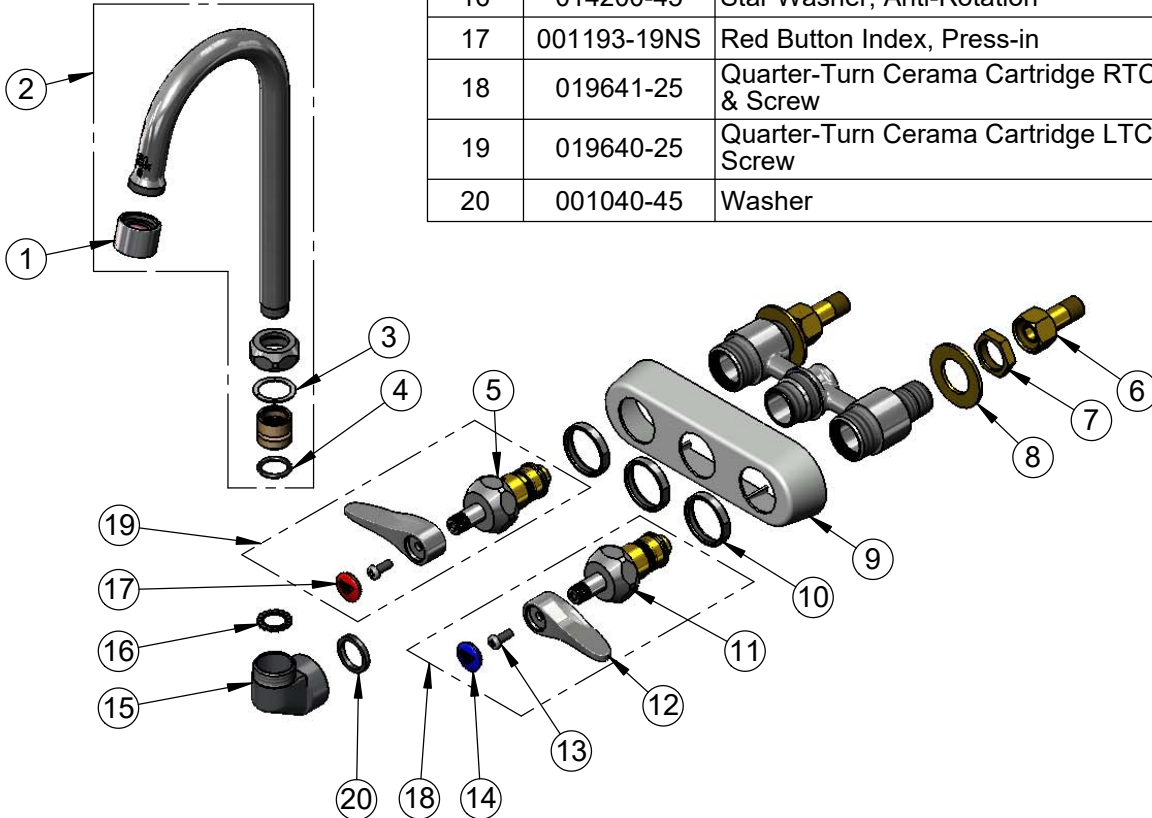
T&S BRASS AND BRONZE WORKS, INC.
 2 Saddleback Cove / P.O. Box 1088
 Travelers Rest, SC 29690

Model No.
B-1146-2-V12-CR

Item No.

Travelers Rest, SC: 800-476-4103 • Simi Valley, CA: 800-423-0150 • Fax: 864-834-3518 • www.tsbrass.com

| ITEM NO. | SALES NO. | DESCRIPTION |
|----------|---------------|---|
| 1 | B-0199-06-F12 | VR Aerator, 1.2 GPM, 55/64-27 Female |
| 2 | 179X-V12 | 4 3/8" Swivel Gooseneck w/ VR 1.2 GPM Aerator & Key |
| 3 | 009538-45 | Swivel Washer |
| 4 | 001074-45 | O-Ring |
| 5 | 012395-25NS | Quarter-Turn New Style Cerama Cartridge w/ Check Valve, LTC |
| 6 | 150A | 1/4" NPT Tailpiece & Nut |
| 7 | 002954-45 | Shank Lock Nut |
| 8 | 000999-45 | Brass Lock Washer |
| 9 | 019374-40 | B-1110 Eterna Workboard Escutcheon |
| 10 | 019376-40 | Escutcheon Lock Nut |
| 11 | 012394-25NS | Quarter-Turn New Style Cerama Cartridge w/ Check Valve, RTC |
| 12 | 001638-45NS | Lever Handle (New Style) |
| 13 | 000925-45 | Lab Handle Screw |
| 14 | 018506-19NS | Blue Button Index, Press-in |
| 15 | 000082-40 | B-1100 Knob |
| 16 | 014200-45 | Star Washer, Anti-Rotation |
| 17 | 001193-19NS | Red Button Index, Press-in |
| 18 | 019641-25 | Quarter-Turn Cerama Cartridge RTC w/ CV, Handle, Blue Index & Screw |
| 19 | 019640-25 | Quarter-Turn Cerama Cartridge LTC w/ CV, Handle, Red Index & Screw |
| 20 | 001040-45 | Washer |



015425-45
 Vandal Resistant Key

Product Specifications:
 4" Wall Mount Workboard Faucet, Quarter-Turn Cerama Cartridges w/ Check Valves, Lever Handles, 4 3/8" Swivel/Rigid Gooseneck, 1.2 GPM Vandal Resistant Aerator & 1/2" NPT Male Inlets

Product Compliance:
 ASME A112.18.1 / CSA B125.1
 NSF 61 - Section 9
 NSF 372 (Low Lead Content)
 ANSI A117.1 (ADA)