



T&S BRASS AND BRONZE WORKS, INC.

2 Saddleback Cove / P.O. Box 1088
Travelers Rest, SC 29690

Model No.

B-1120-135X-WH4

Item No.

Travelers Rest, SC: 800-476-4103 • Simi Valley, CA: 800-423-0150 • Fax: 864-834-3518 • www.tsbrass.com



ADA Compliant

This Space for Architect/Engineer Approval

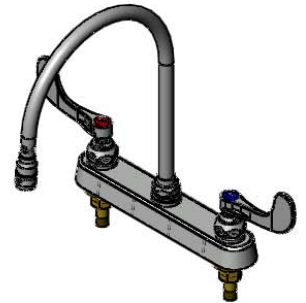
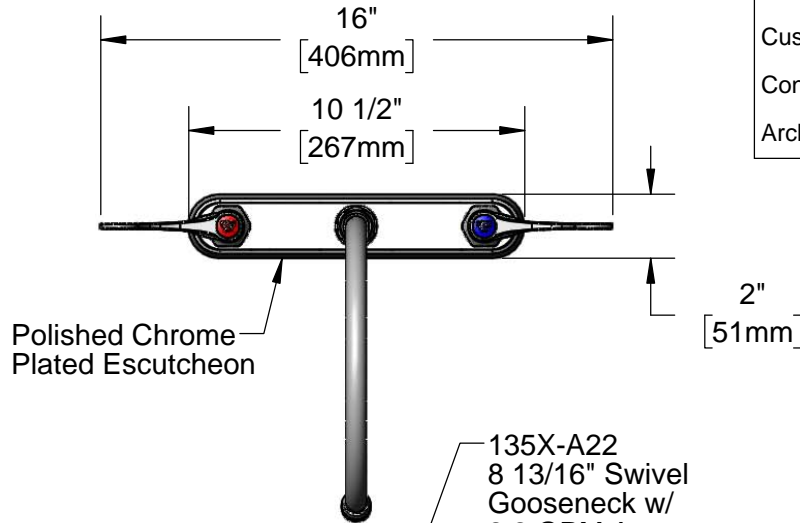
Job Name _____ Date _____

Model Specified _____ Quantity _____

Customer/Wholesaler _____

Contractor _____

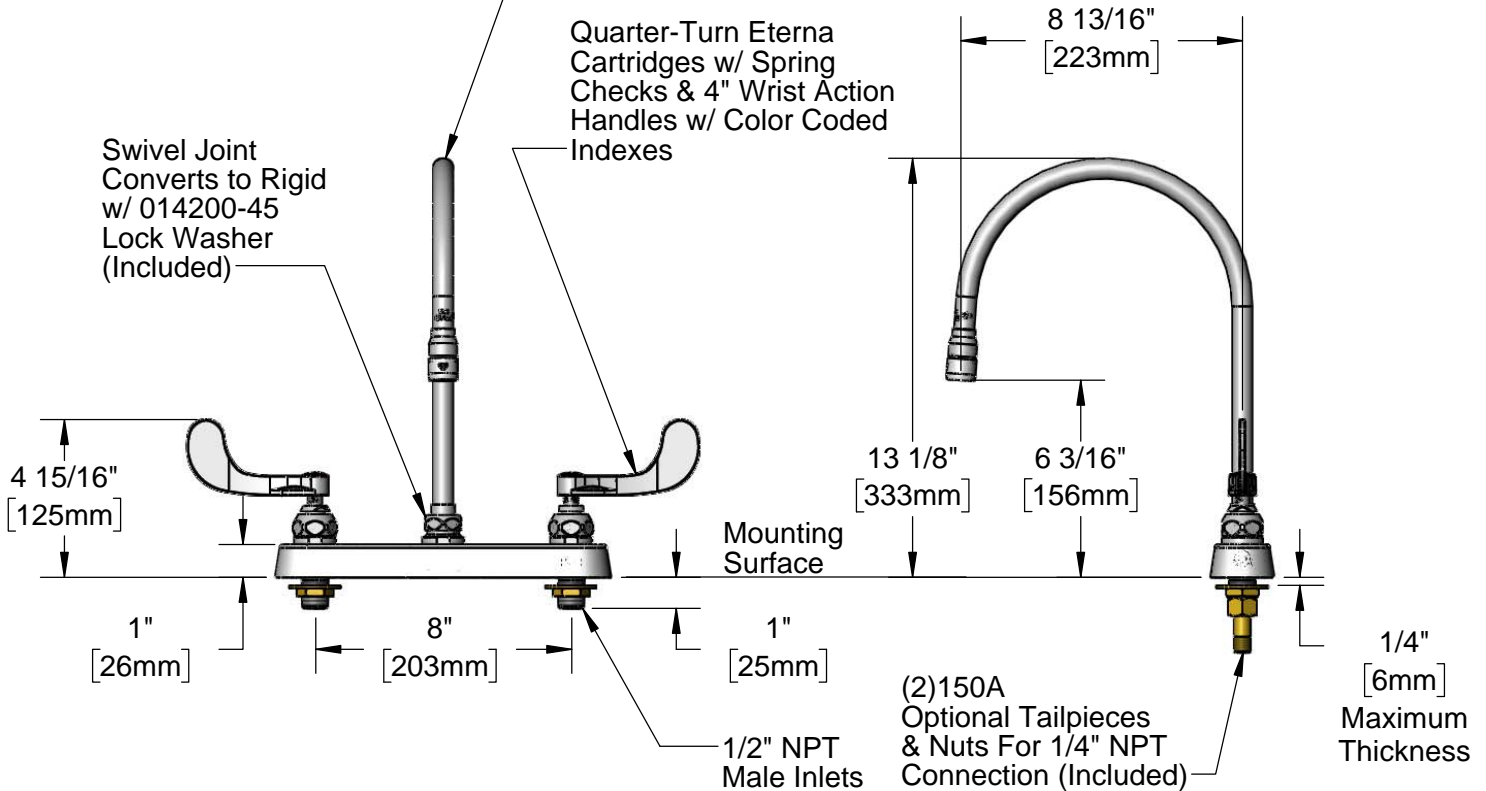
Architect/Engineer _____



135X-A22
8 13/16" Swivel
Gooseneck w/
2.2 GPM Aerator

Quarter-Turn Eterna
Cartridges w/ Spring
Checks & 4" Wrist Action
Handles w/ Color Coded
Indexes

Swivel Joint
Converts to Rigid
w/ 014200-45
Lock Washer
(Included)



Rough-In Requirement:
(2) \varnothing 1" [25mm] Mounting Holes

Product Specifications:

8" Deck Mount Workboard Faucet, Quarter-Turn Eterna Cartridges w/ Spring Checks, 4" Wrist Action Handles, 8 13/16" Swivel Gooseneck, 2.2 GPM Aerator & 1/2" NPT Male Inlets

Product Compliance:

ASME A112.18.1 / CSA B125.1
NSF 61 - Section 9
NSF 372 (Low Lead Content)
ANSI A117.1 (ADA)



T&S BRASS AND BRONZE WORKS, INC.

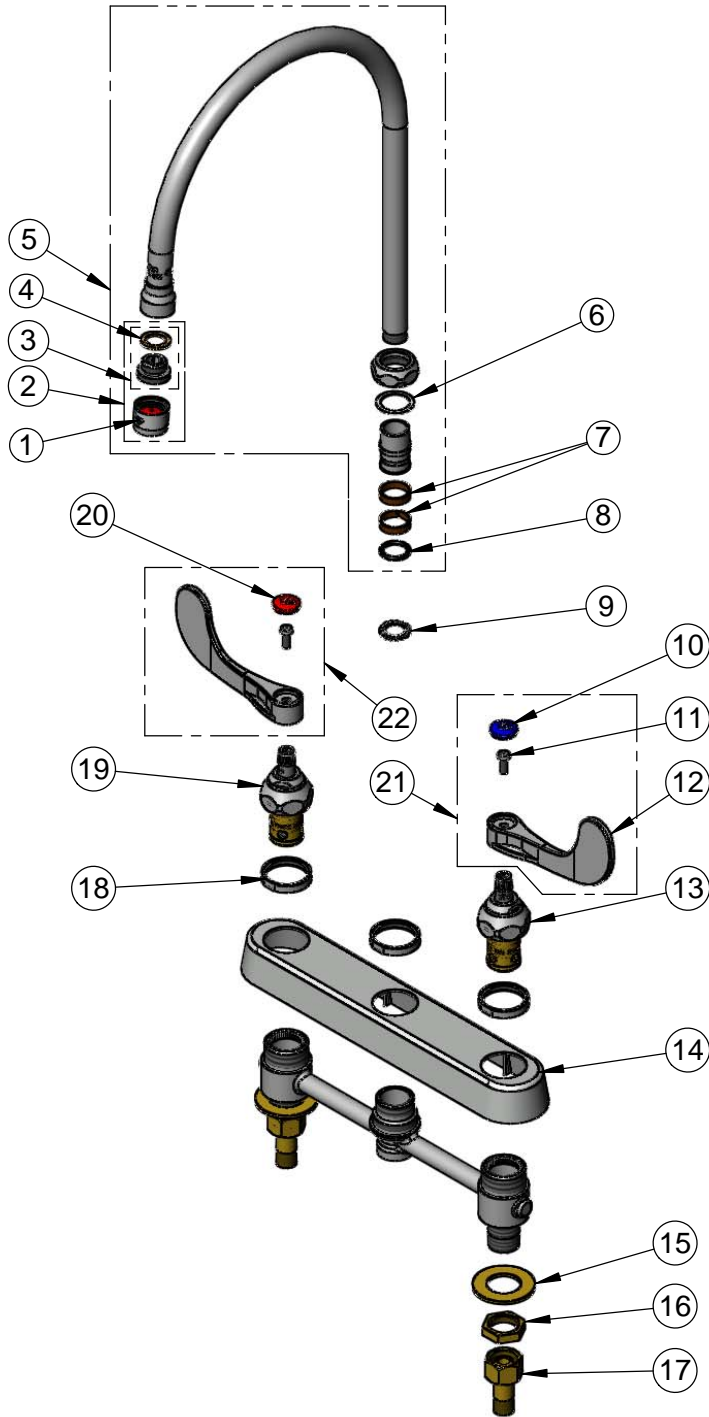
2 Saddleback Cove / P.O. Box 1088
Travelers Rest, SC 29690

Model No.

B-1120-135X-WH4

Item No.

Travelers Rest, SC: 800-476-4103 • Simi Valley, CA: 800-423-0150 • Fax: 864-834-3518 • www.tsbrass.com



ITEM NO.	SALES NO.	DESCRIPTION
1	B-0199-01	2.2 GPM Aerator, 55/64"-27 UN Female
2	B-0199-02	2.2 GPM Aerator, 3/8" NPSM Male
3	044A	3/8" to Aerator Adapter
4	001043-45	Washer
5	135X-A22	8 13/16" Swivel Gooseneck w/ 2.2 GPM Aerator
6	009538-45	Swivel Washer
7	011429-45	Swivel Sleeves (2)
8	001074-45	O-Ring
9	014200-45	Star Washer, Anti-Rotation
10	018506-19NS	Blue Button Index, Press-in
11	000925-45	Lab Handle Screw
12	B-WH4-NS	Wrist Action Handle (New Style)
13	012442-40NS	Quarter-Turn New Style Eterna Cartridge w/ Spring Check, LTC
14	019375-40	B-1120 Eterna Workboard Escutcheon
15	000999-45	Brass Lock Washer
16	002954-45	Shank Lock Nut
17	150A	1/4" NPT Tailpiece & Nut
18	019376-40	Escutcheon Lock Nut
19	012443-40NS	Quarter-Turn New Style Eterna Cartridge w/ Spring Check, RTC
20	001193-19NS	Red Button Index, Press-in
21	B-WH4C-NS	4" Wrist-Action Handle, Screw & Cold Index
22	B-WH4H-NS	4" Wrist-Action Handle, Screw & Hot Index

Product Specifications:

8" Deck Mount Workboard Faucet, Quarter-Turn Eterna Cartridges w/ Spring Checks, 4" Wrist Action Handles, 8 13/16" Swivel Gooseneck, 2.2 GPM Aerator & 1/2" NPT Male Inlets

Product Compliance:

ASME A112.18.1 / CSA B125.1
NSF 61 - Section 9
NSF 372 (Low Lead Content)
ANSI A117.1 (ADA)