



T&S BRASS AND BRONZE WORKS, INC.
 2 Saddleback Cove / P.O. Box 1088
 Travelers Rest, SC 29690

Model No.
B-1035

Item No.

Travelers Rest, SC: 800-476-4103 • Simi Valley, CA: 800-423-0150 • Fax: 864-834-3518 • www.tsbrass.com



ADA Compliant

This Space for Architect/Engineer Approval

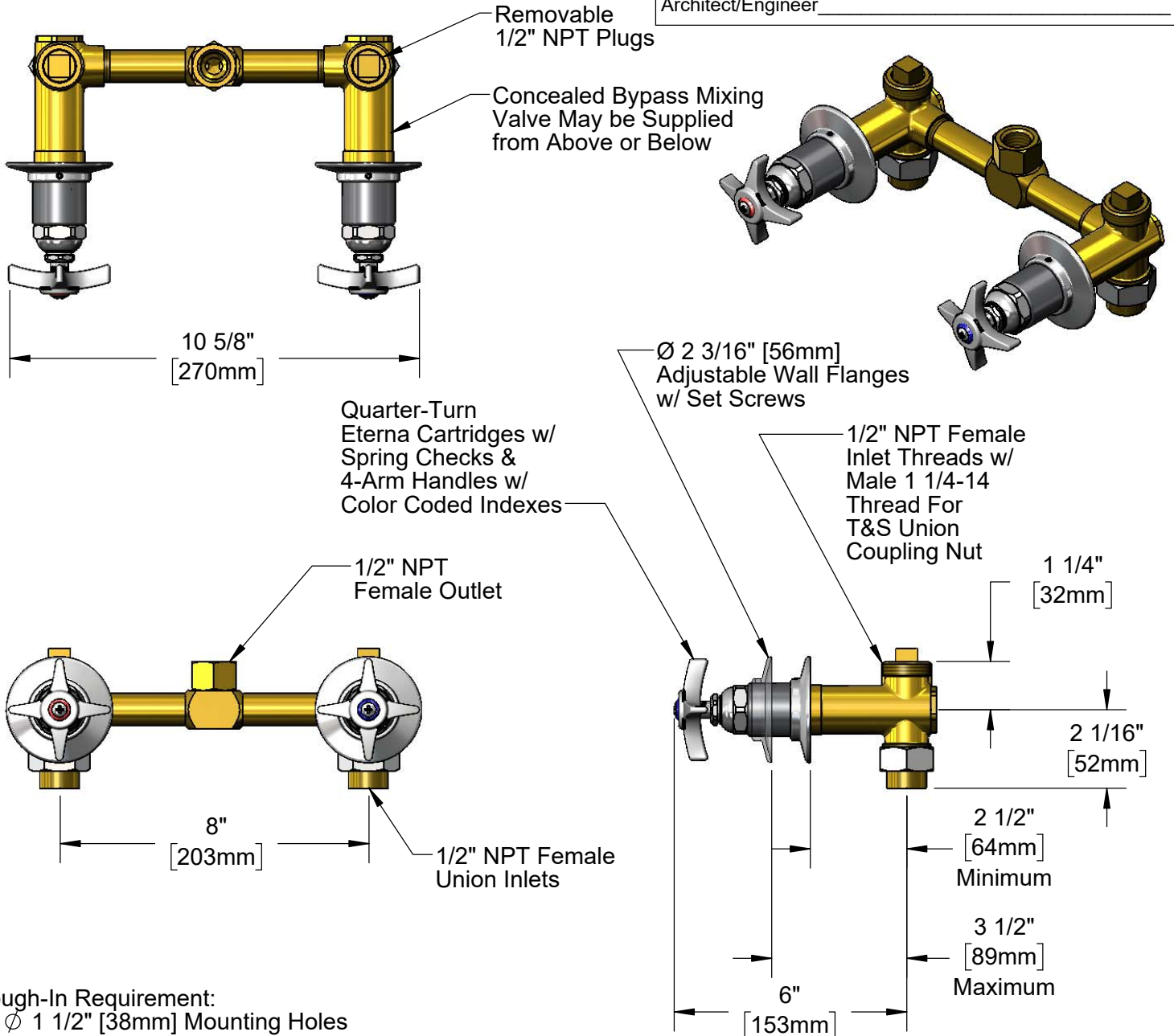
Job Name _____ Date _____

Model Specified _____ Quantity _____

Customer/Wholesaler _____

Contractor _____

Architect/Engineer _____



Rough-In Requirement:
 (2) Ø 1 1/2" [38mm] Mounting Holes

Product Specifications:
 8" Concealed Bypass Mixing Valve, Quarter-Turn Eterna Cartridges w/ Spring Checks, 4-Arm Handles, Adjustable Wall Flanges, 1/2" NPT Female Outlet & 1/2" NPT Female Inlet

Product Compliance:
 ASME A112.18.1 / CSA B125.1
 NSF 61 - Section 9
 NSF 372 (Low Lead Content)
 ANSI A117.1 (ADA)
 Product Not Designed/Intended for Bath/ Shower Applications



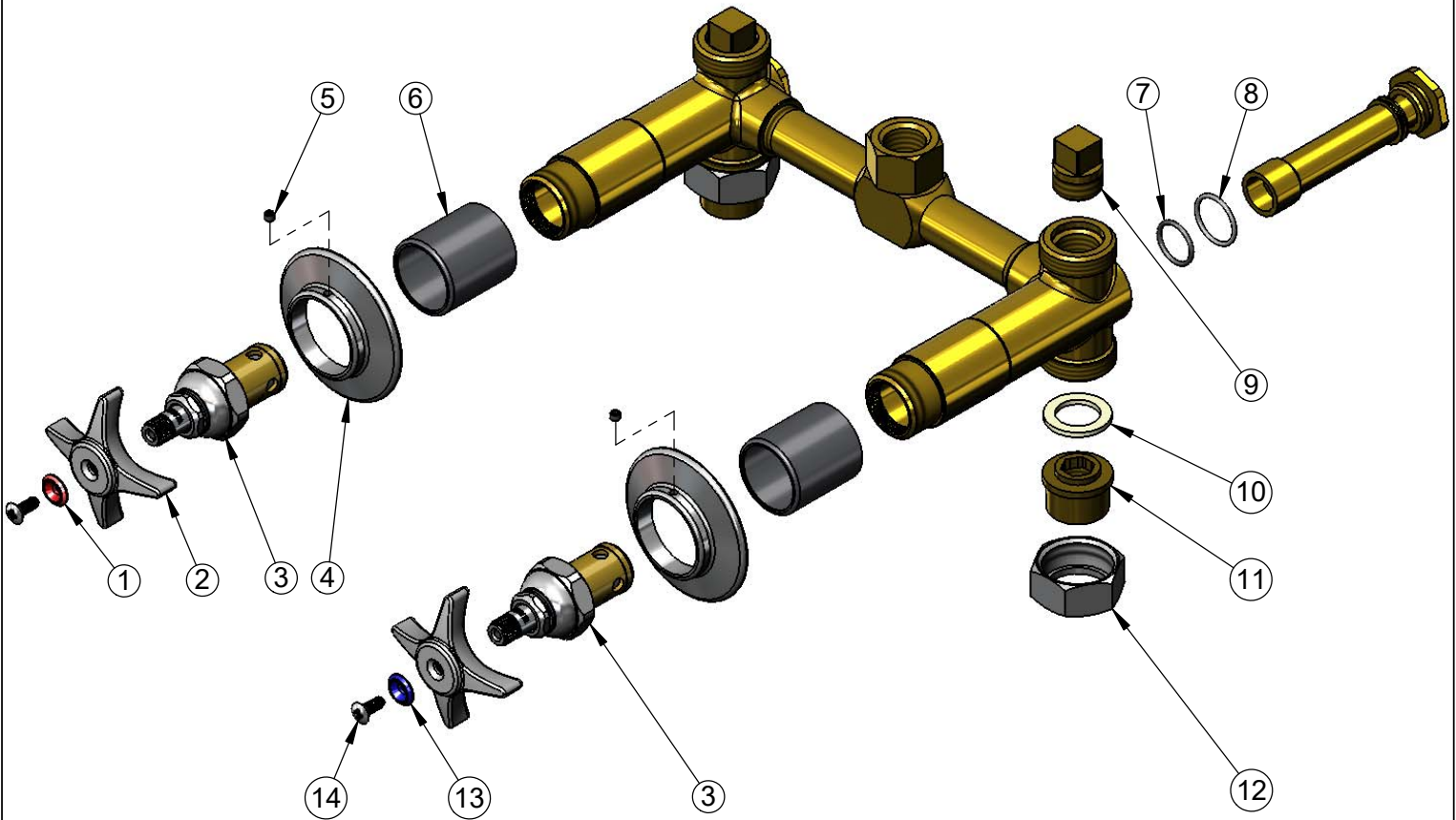
T&S BRASS AND BRONZE WORKS, INC.
 2 Saddleback Cove / P.O. Box 1088
 Travelers Rest, SC 29690

Model No.
B-1035

Item No.

Travelers Rest, SC: 800-476-4103 • Simi Valley, CA: 800-423-0150 • Fax: 864-834-3518 • www.tsbrass.com

ITEM NO.	SALES NO.	DESCRIPTION
1	001661-45	Red Index-HW
2	002521-45	4-Arm Handle
3	012443-40	Quarter-Turn Eterna Cartridge w/ Spring Check, RTC
4	001501-40	Escutcheon
5	000939-45	Escutcheon, Set Screw
6	151F	Escutcheon Tube
7	001062-45	O-Ring
8	001702-45	O-Ring
9	001347-20	1/2" NPT Plug
10	001019-45	Coupling Nut Washer
11	153F	Union Half, 1/2" NPT w/ Washer
12	000721-25	Flange Coupling Nut
13	001660-45	Blue Index-CW
14	000922-45	Lever Handle Screw



Product Specifications:

8" Concealed Bypass Mixing Valve, Quarter-Turn Eterna Cartridges w/ Spring Checks, 4-Arm Handles, Adjustable Wall Flanges, 1/2" NPT Female Outlet & 1/2" NPT Female Inlet

Product Compliance:

ASME A112.18.1 / CSA B125.1
 NSF 61 - Section 9
 NSF 372 (Low Lead Content)
 ANSI A117.1 (ADA)
 Product Not Designed/Intended for Bath/
 Shower Applications